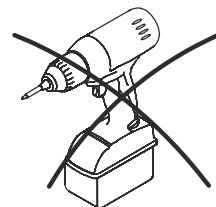
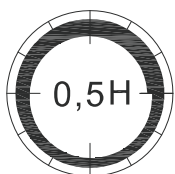
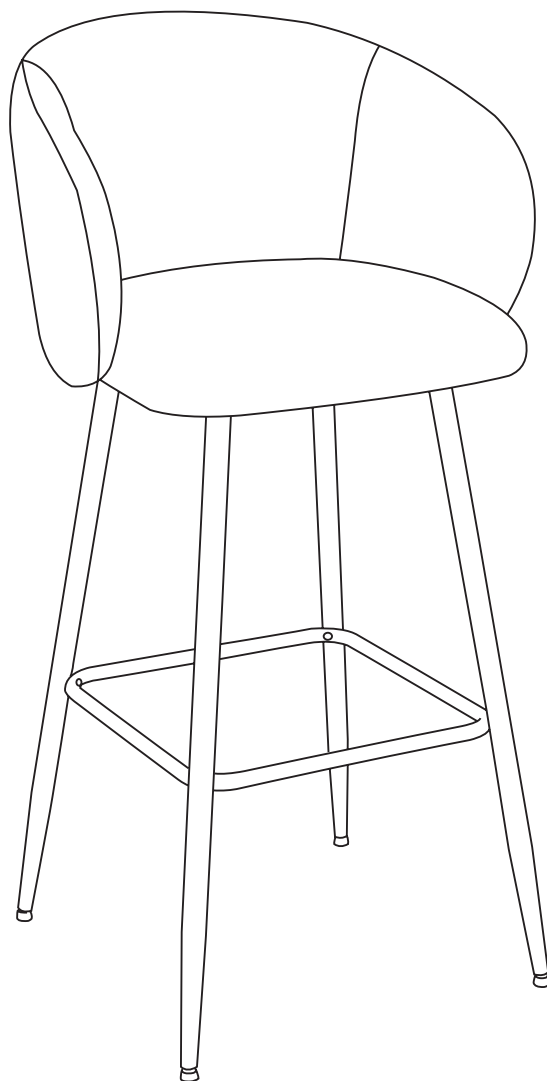
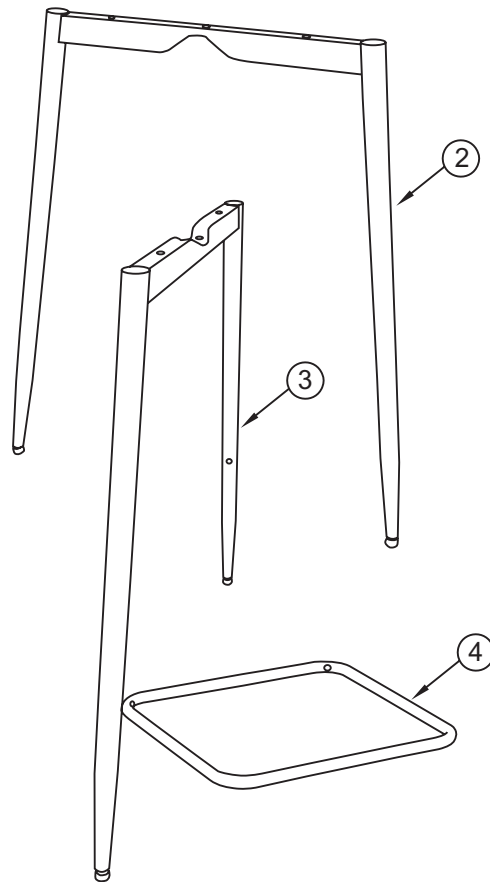
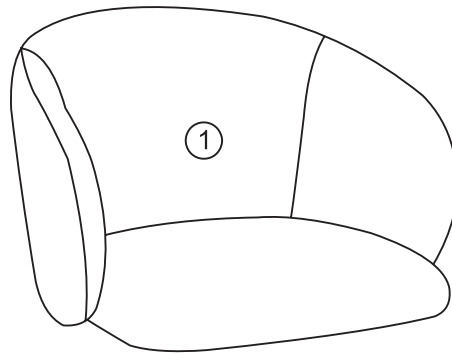
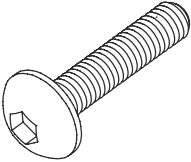
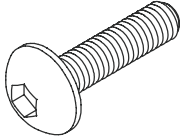
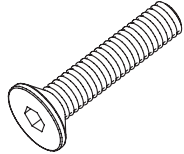

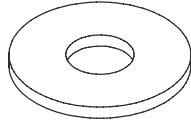
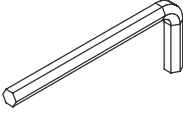


ELEANOR

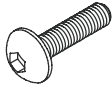

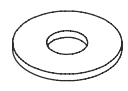
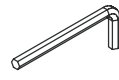


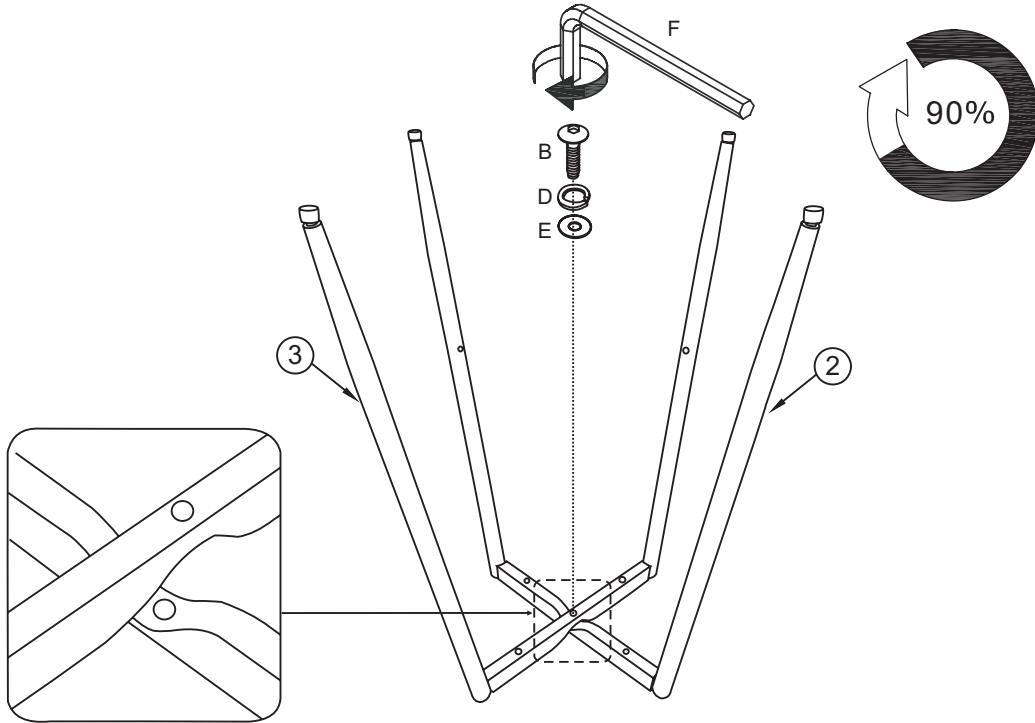
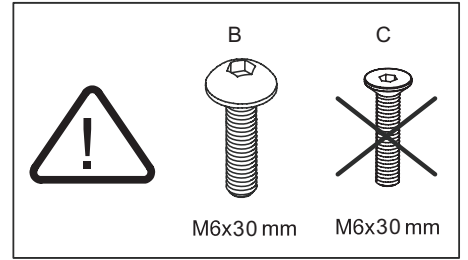
			✓
①	1	515x540x350	
②	1	710x640x25	
③	1	710x640x25	
④	4	385x385xØ16	



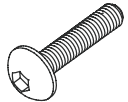

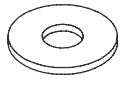

<p>A x 4</p>  <p>M6x50 mm</p>	<p>B x 1</p>  <p>M6x30 mm</p>	<p>C x 4</p>  <p>M6x30 mm</p>	<p>D x 5</p>  <p>Ø6 mm</p>	<p>E x 5</p>  <p>Ø6/Ø17 mm</p>
<p>F x 1</p>  <p>5 mm</p>				

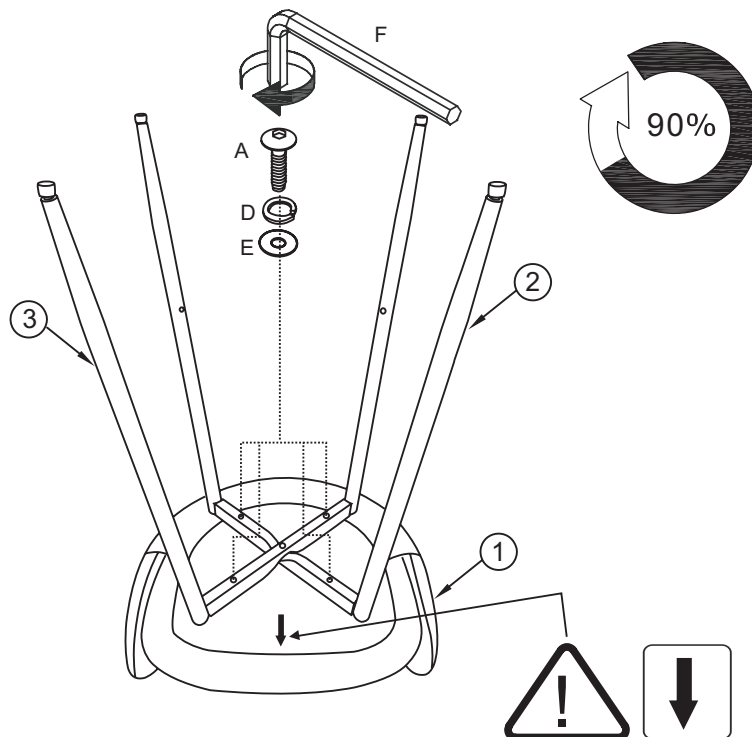
1

B x 1  M6x30 mm	D x 1  Ø6 mm	E x 1  Ø6/Ø17 mm	F x 1  5 mm
--	---	---	--





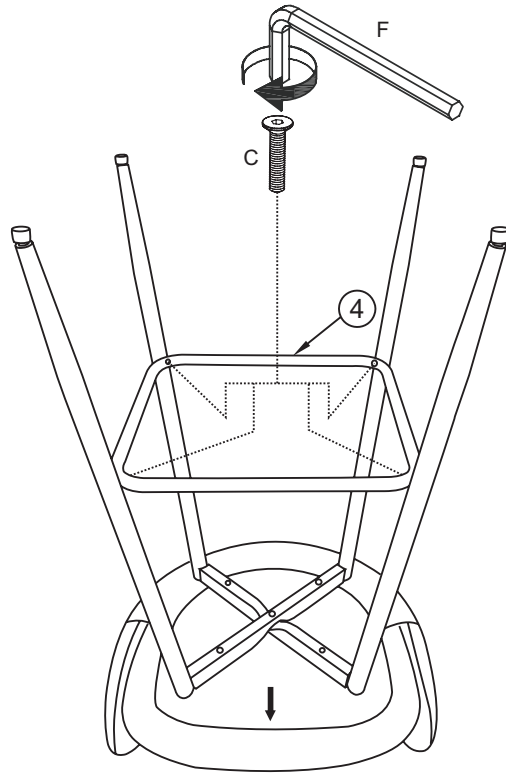
2

A x 4  M6x50 mm	D x 4  Ø6 mm	E x 4  Ø6/Ø17 mm	F x 1  5 mm
--	---	---	--

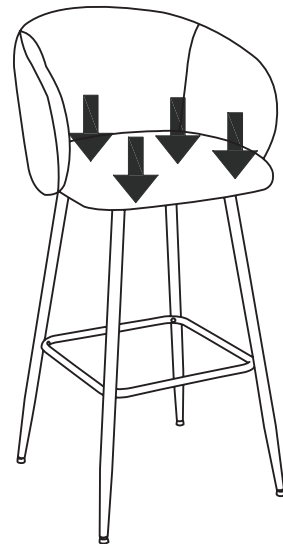
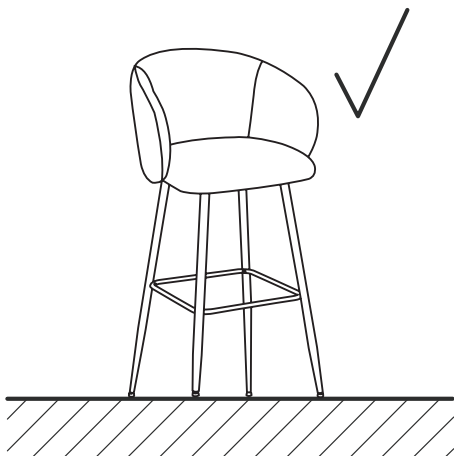
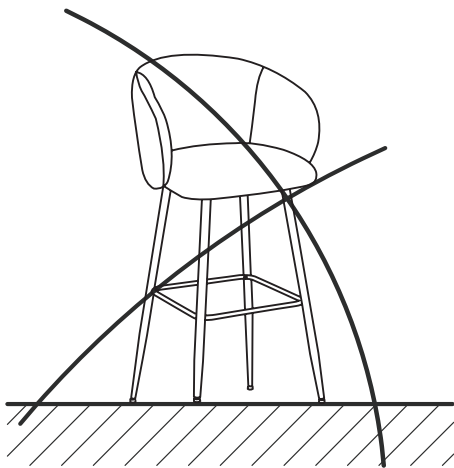


3

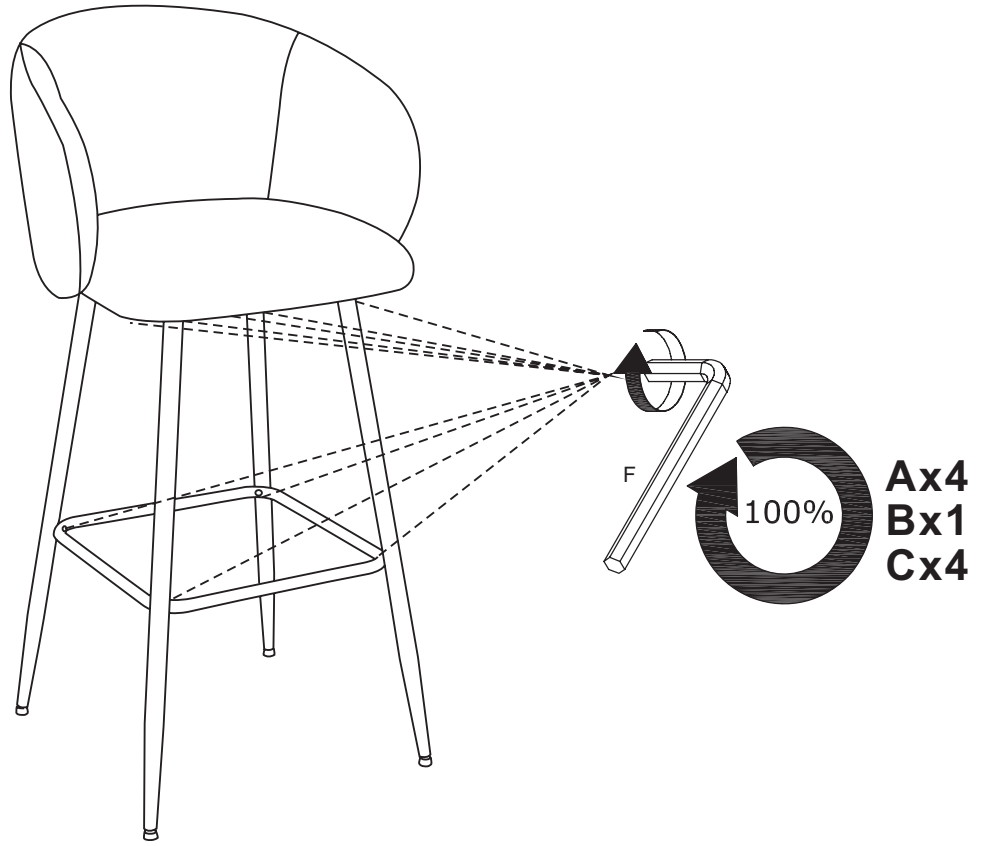
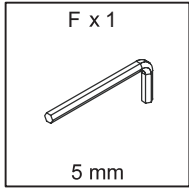
C x 4  M6x30 mm	F x 1  5 mm
--	--



4



5



6

