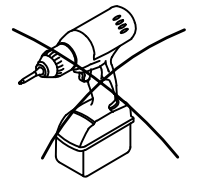
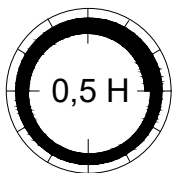
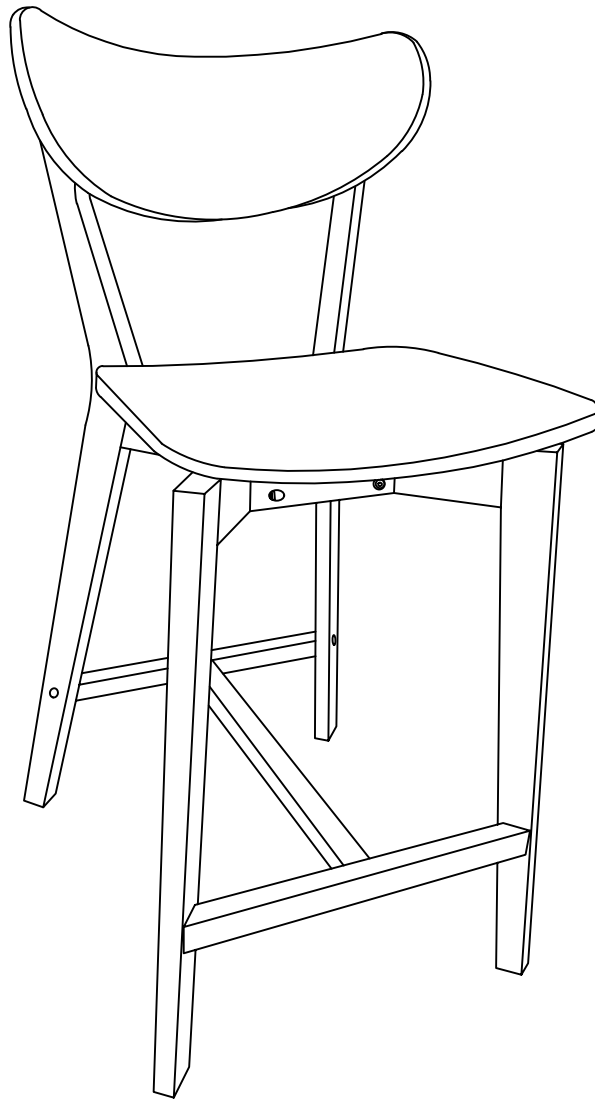
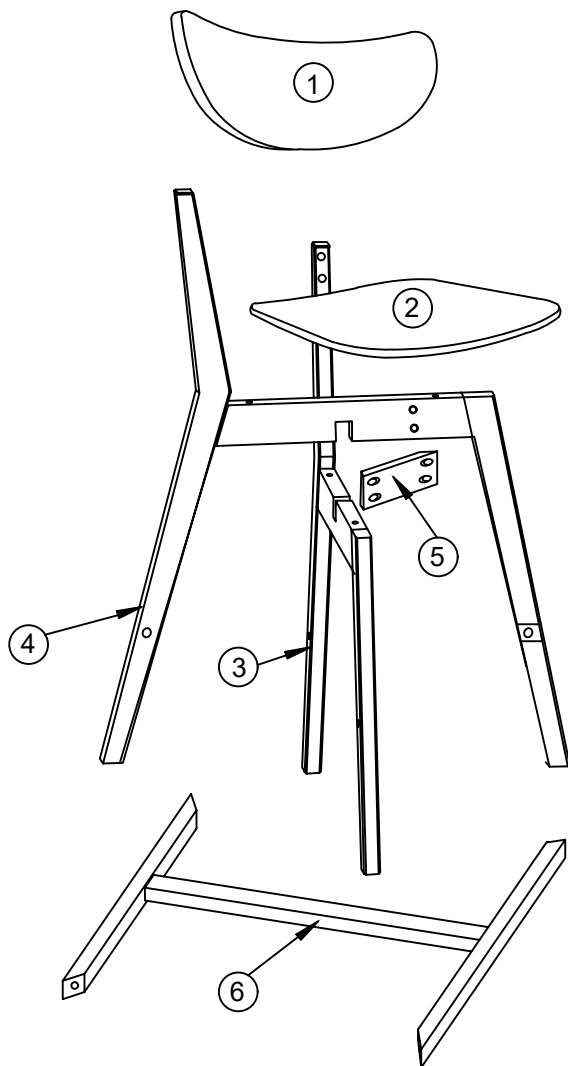

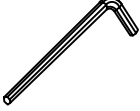








ROXYBY

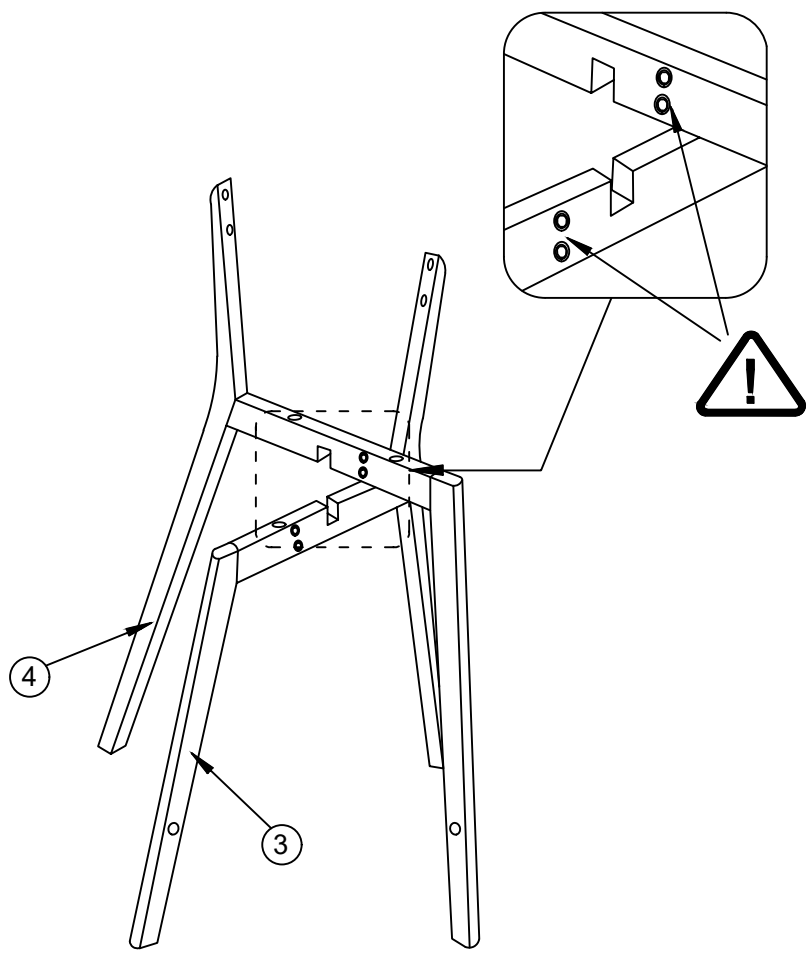


			✓
①	1	440x165x15	
②	1	410x375x(12+22)	
③	1	1005x750x25	
④	1	1005x750x25	
⑤	1	175x58x20	
⑥	1	490x395x35	

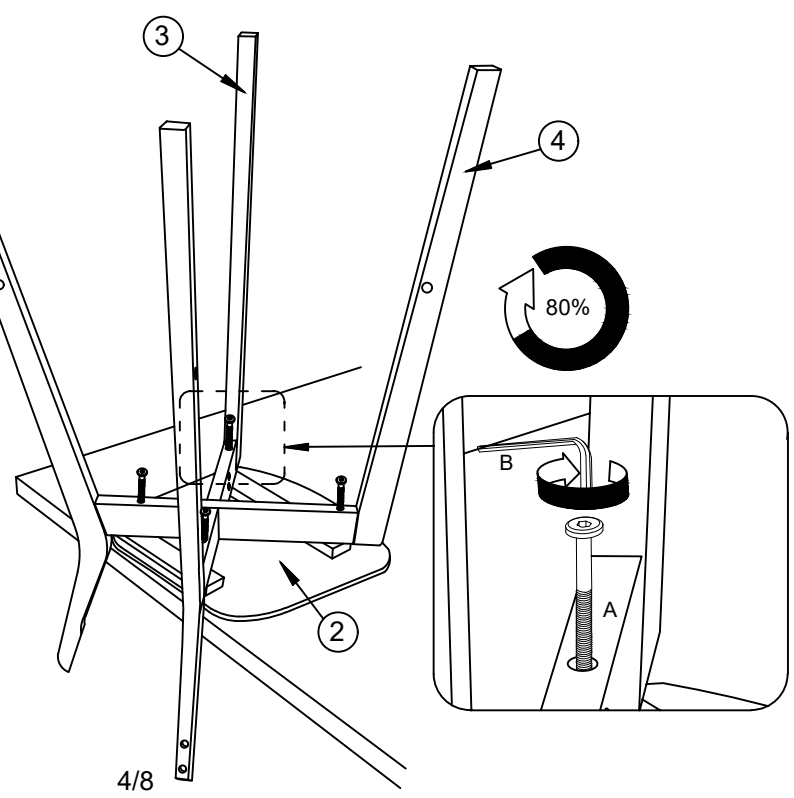
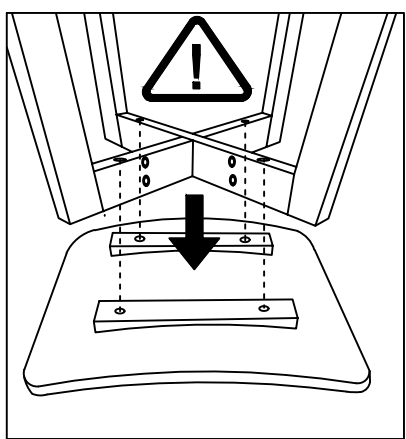
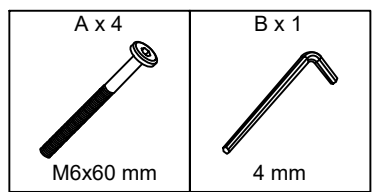


<p>A x 4</p>  <p>M6x60 mm</p>	<p>B x 1</p>  <p>4 mm</p>	<p>C x 8</p>  <p>Ø6/Ø13 mm</p>	<p>D x 4</p>  <p>Ø6/Ø13 mm</p>	<p>E x 4</p>  <p>M6x25 mm</p>
<p>F x 4</p>  <p>M6x30 mm</p>	<p>G x 4</p>  <p>M6x35 mm</p>	<p>H x 4</p>  <p>Ø22x3 mm</p>		

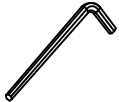



1

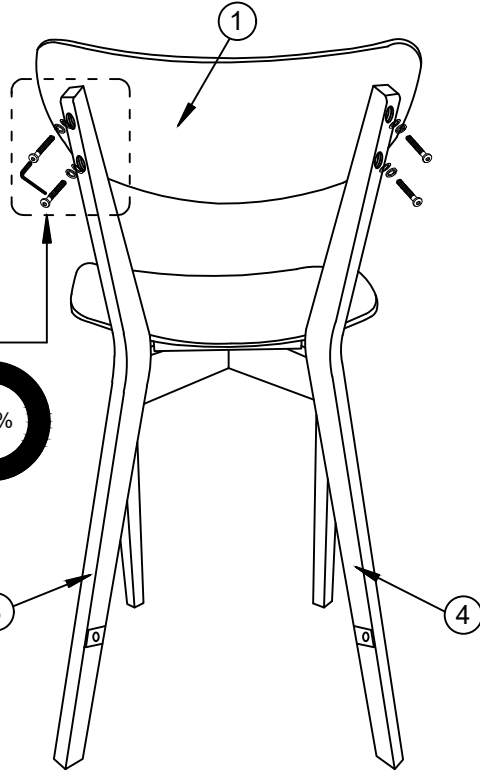
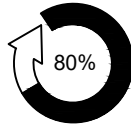
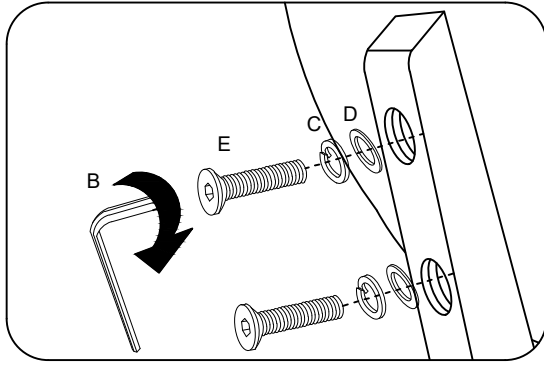






2







3

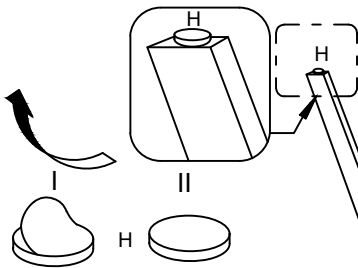
B x 1  4 mm	C x 4  Ø6/Ø13 mm	D x 4  Ø6/Ø13 mm	E x 4  M6x25 mm
--	---	---	--






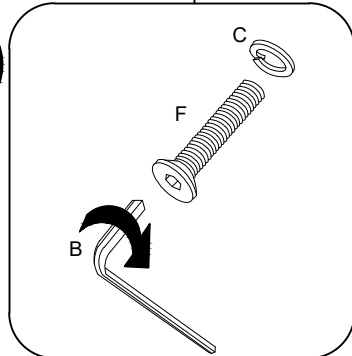
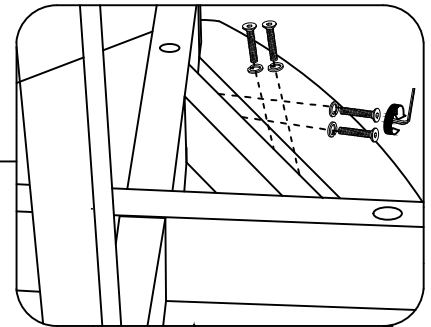
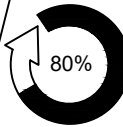
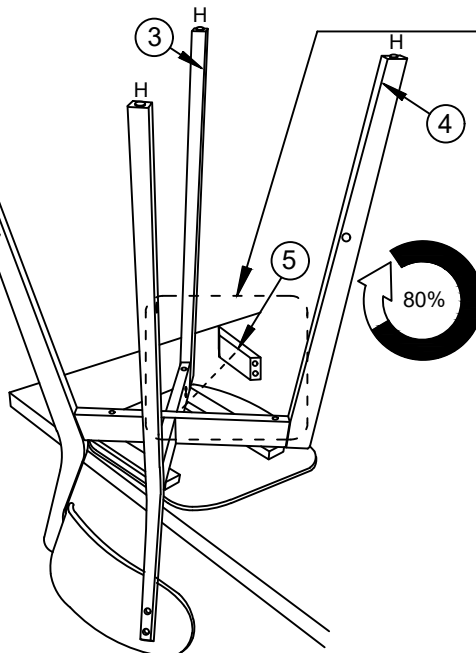
	E  M6x25 mm	F  M6x30 mm	G  M6x35 mm
--	---	---	---

4

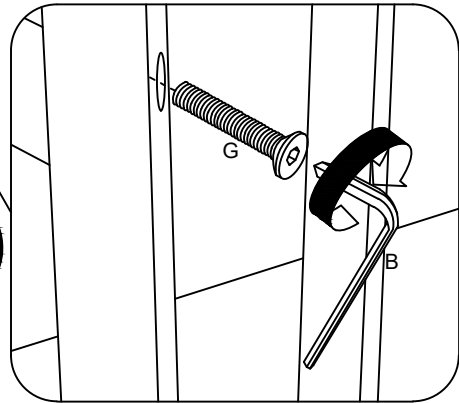
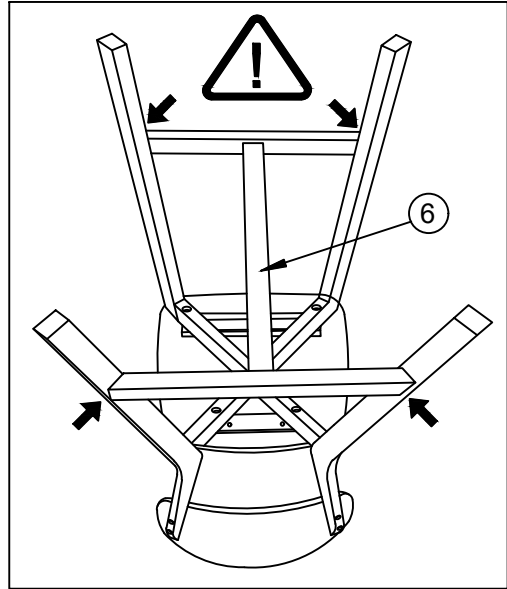
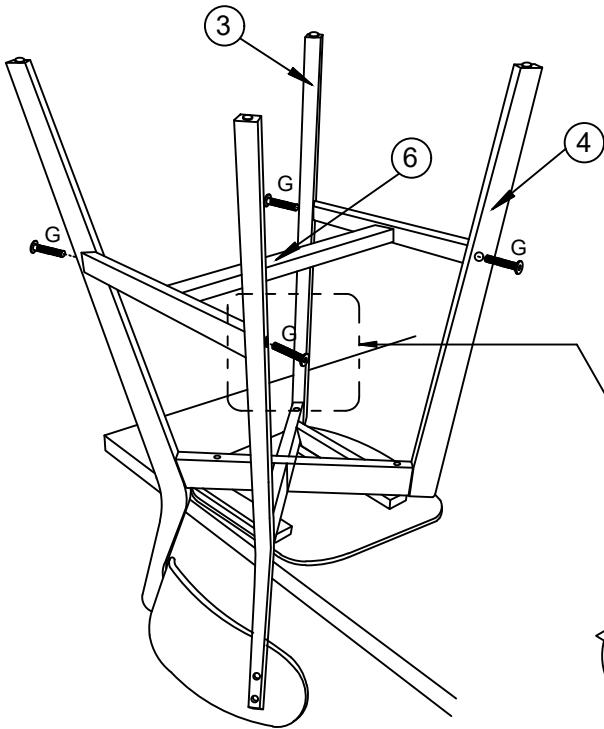
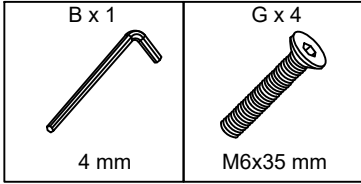
B x 1  4 mm	C x 4  Ø6/Ø13 mm	F x 4  M6x30 mm	H x 4  Ø22x3 mm
--	---	--	--



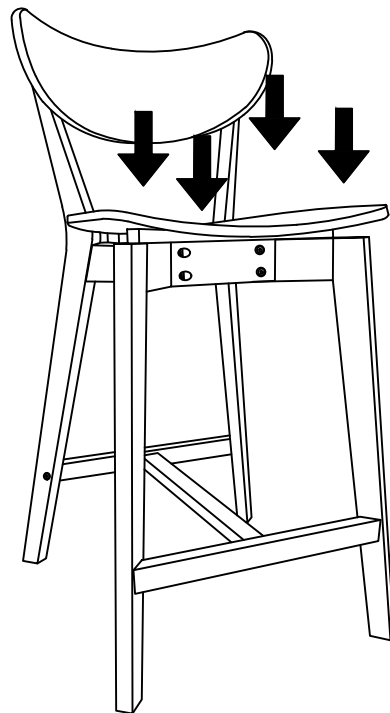
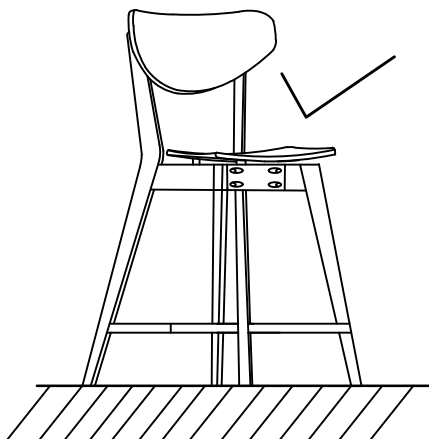
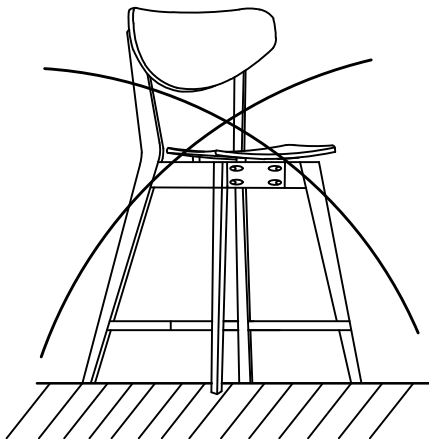
	E  M6x25 mm	F  M6x30 mm
---	--	--



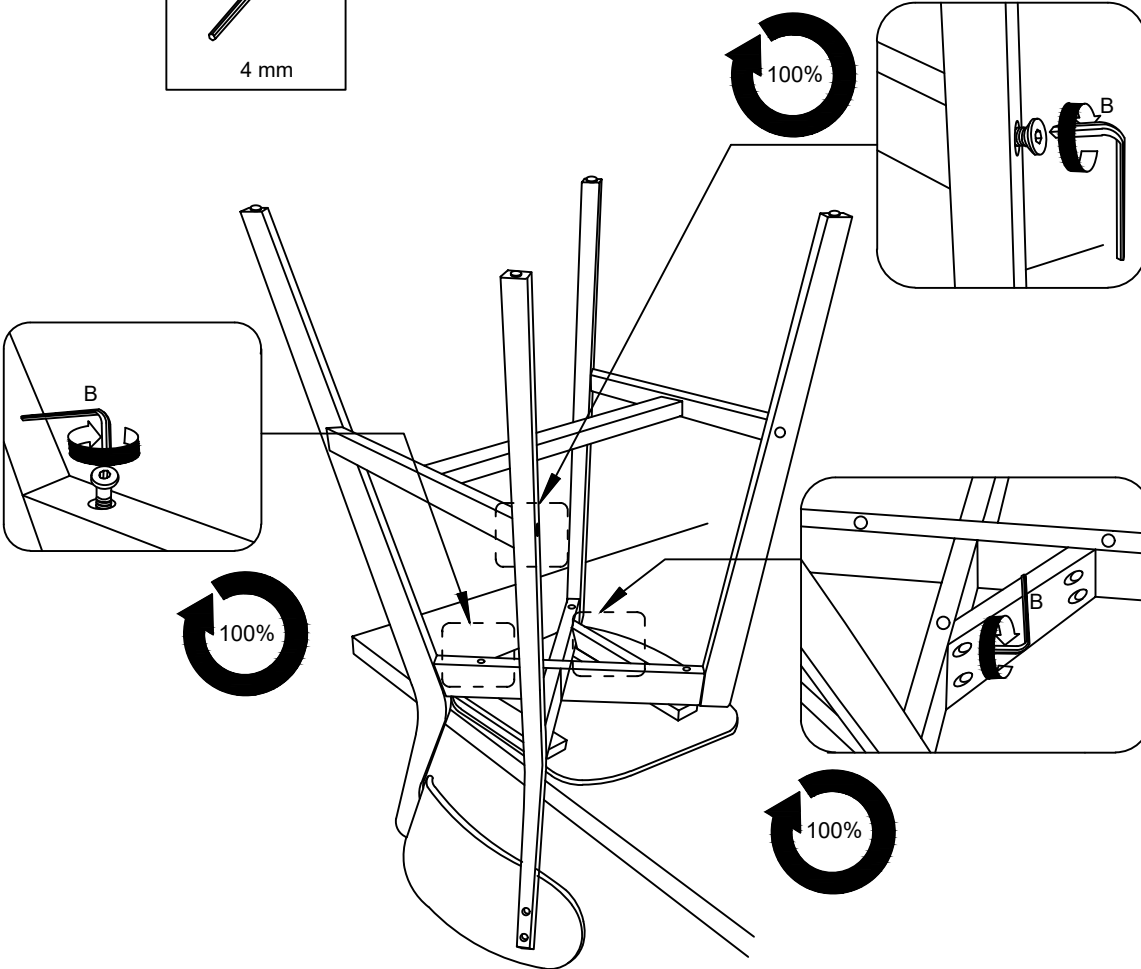
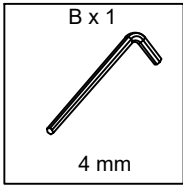
5



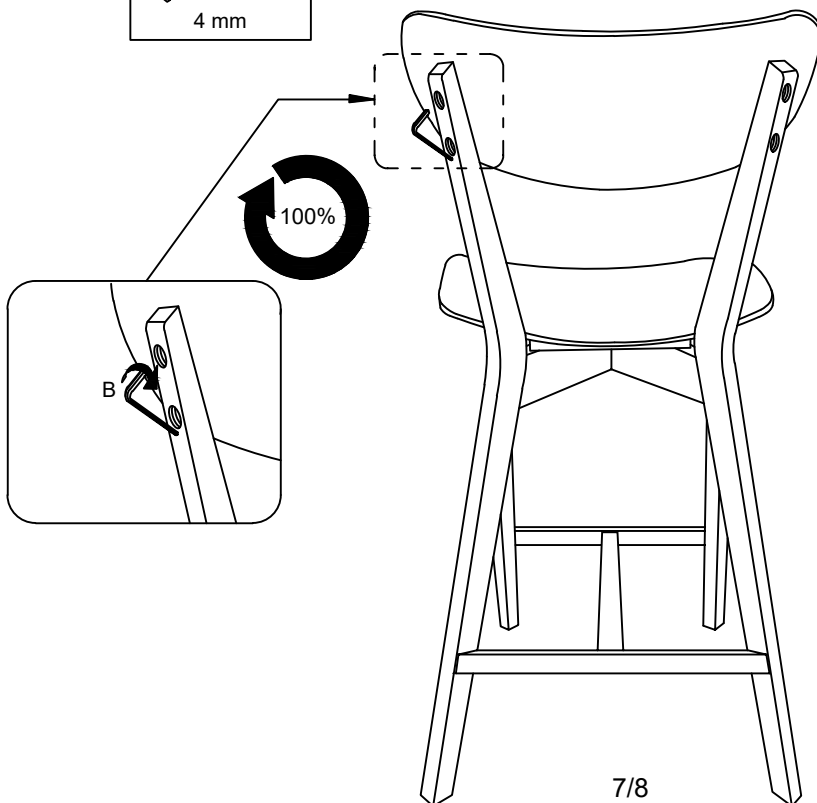
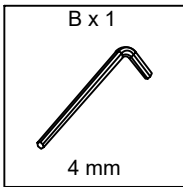
6



7



8



9

