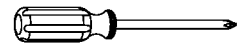
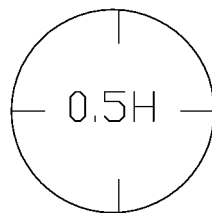
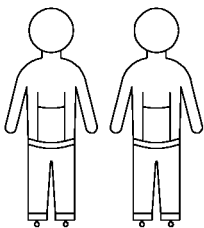
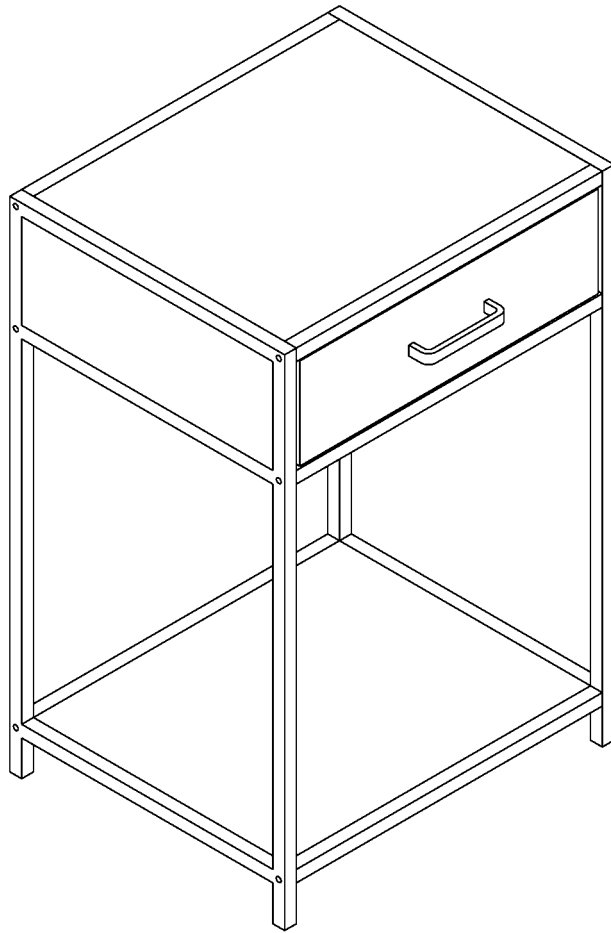
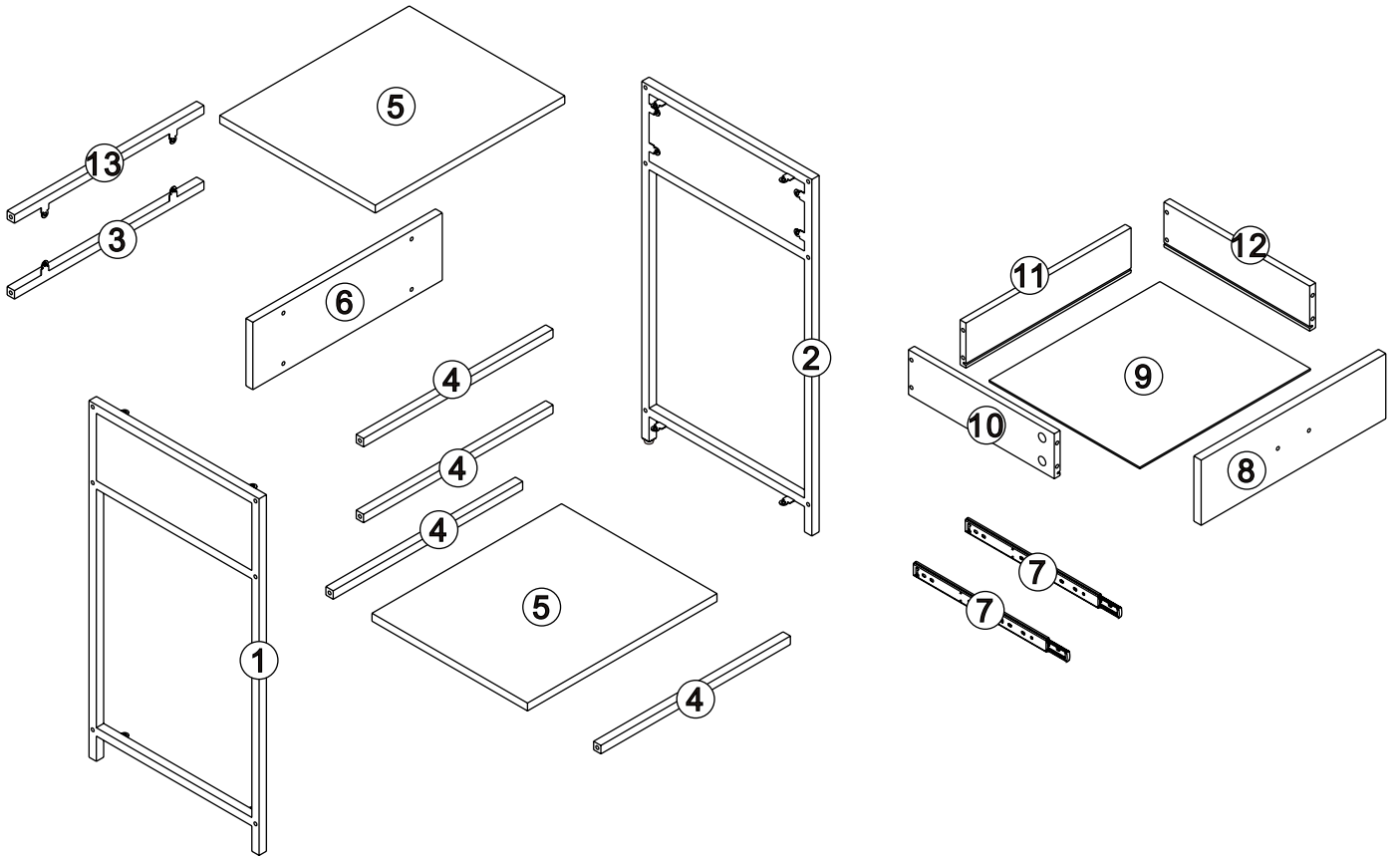


Seaford

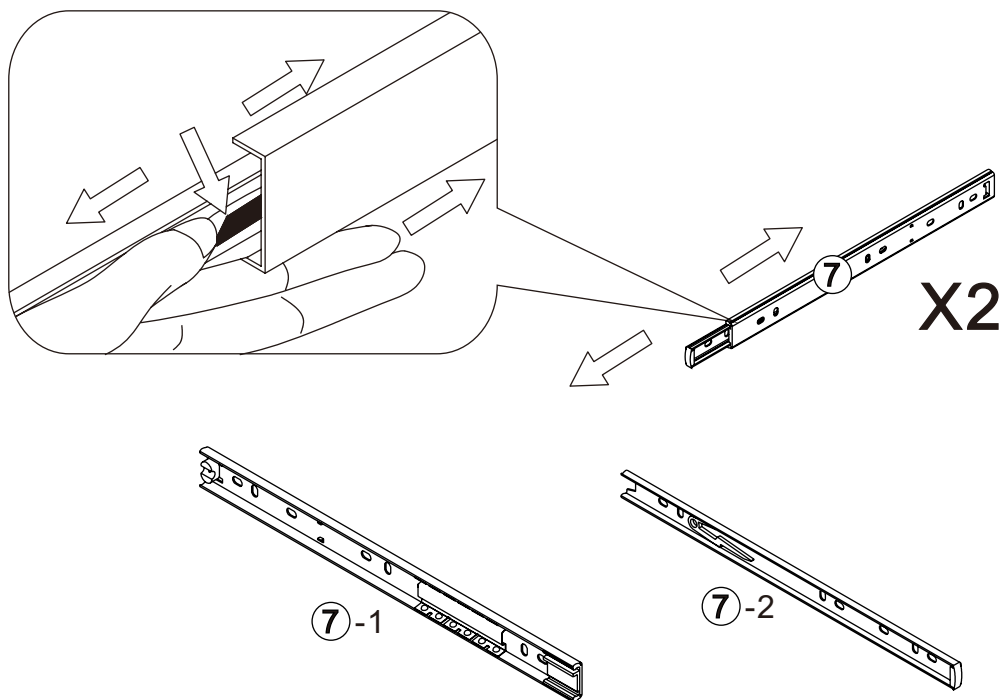




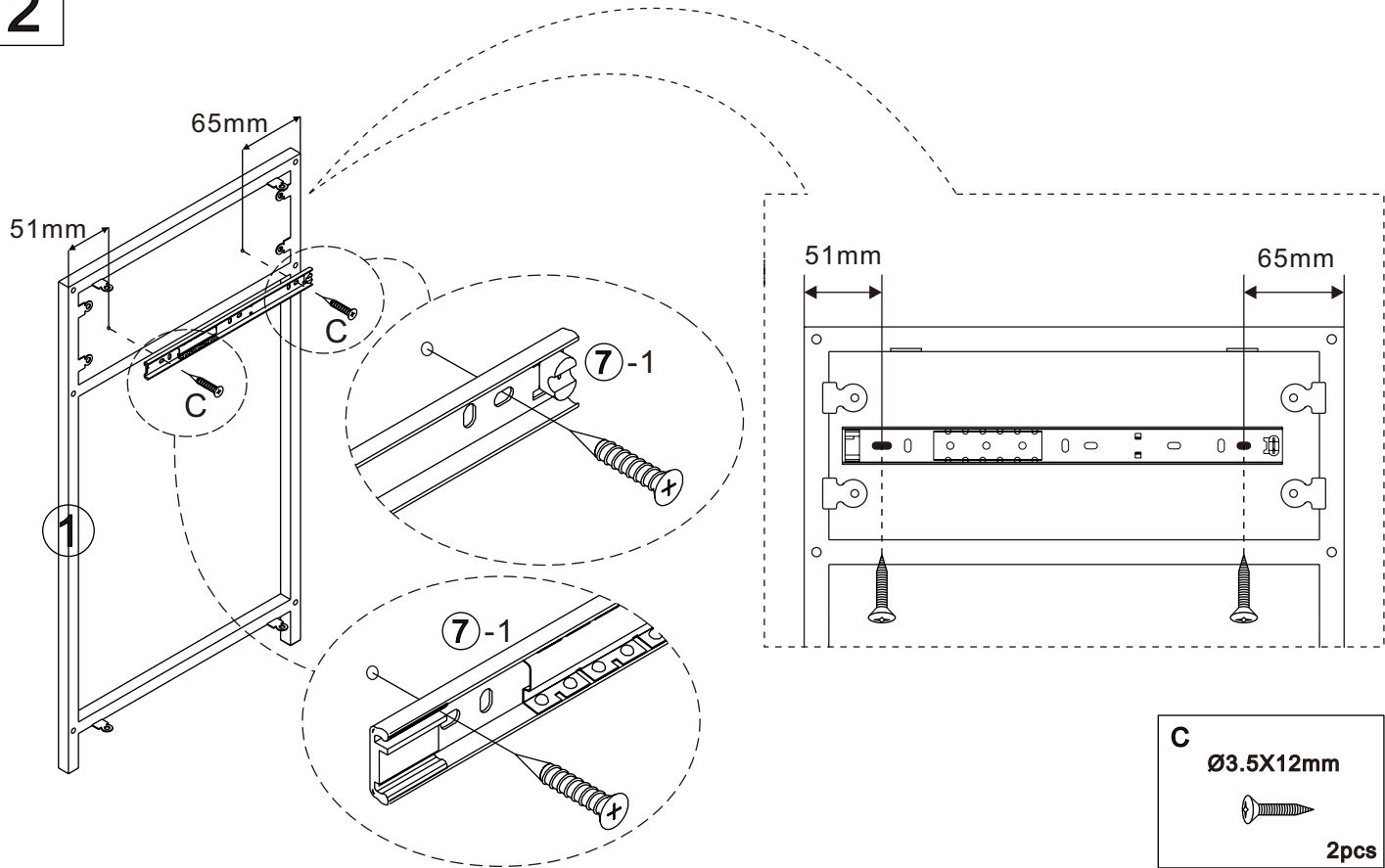
1 1pc	2 1pc	3 1pc	4 4pcs	5 2pcs
6 1pc	7 2pcs	8 1pc	9 1pc	10 1pc
11 1pc	12 1pc	13 1pc		

A M6X15mm 12pcs	B Ø4X12mm 13pcs	C Ø3.5X12mm 8pcs	D M6X22mm 4pcs	E Ø12 4pcs	F Ø4X35mm 4pcs
G 101X24X11mm 1pc	H M4X18mm 2pcs	I 4mm 1pc	J Ø13 2pcs	K 200X25X1.3mm 1pc	

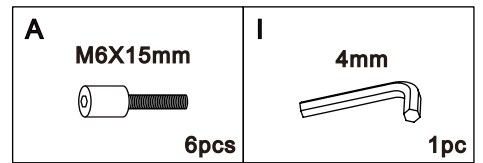
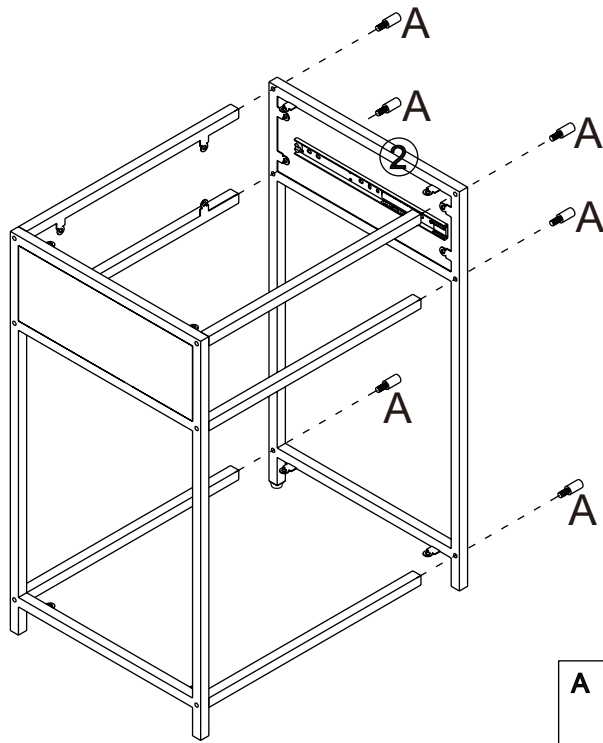
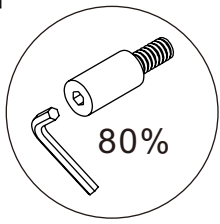
1



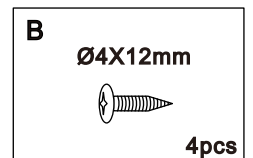
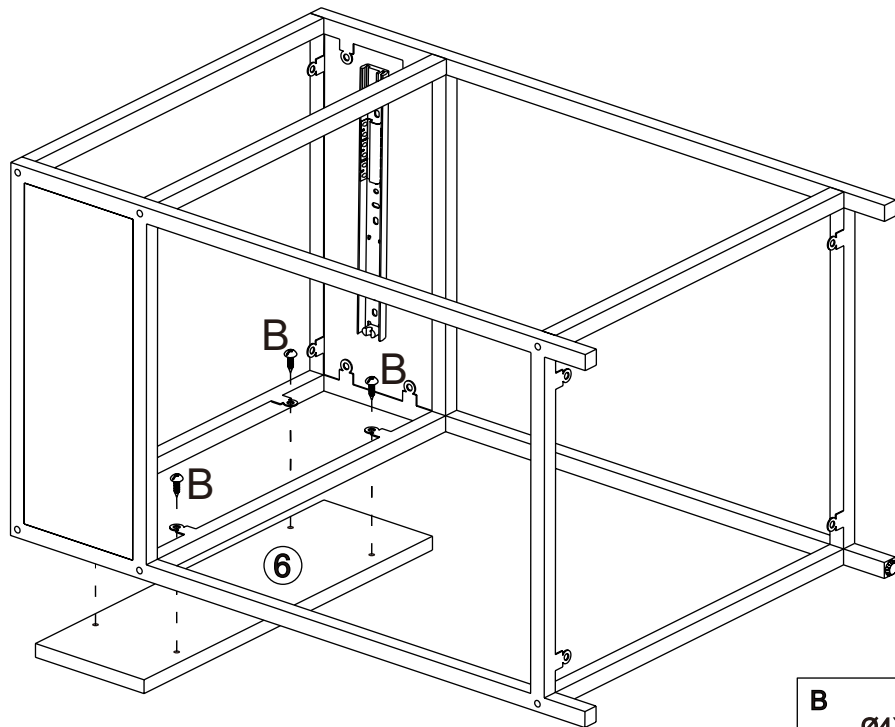
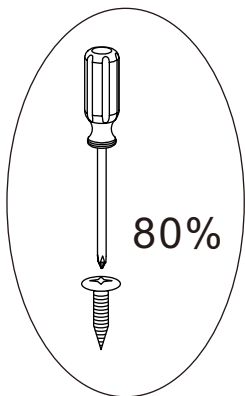
2



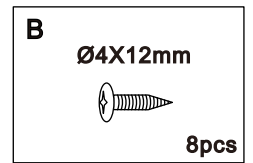
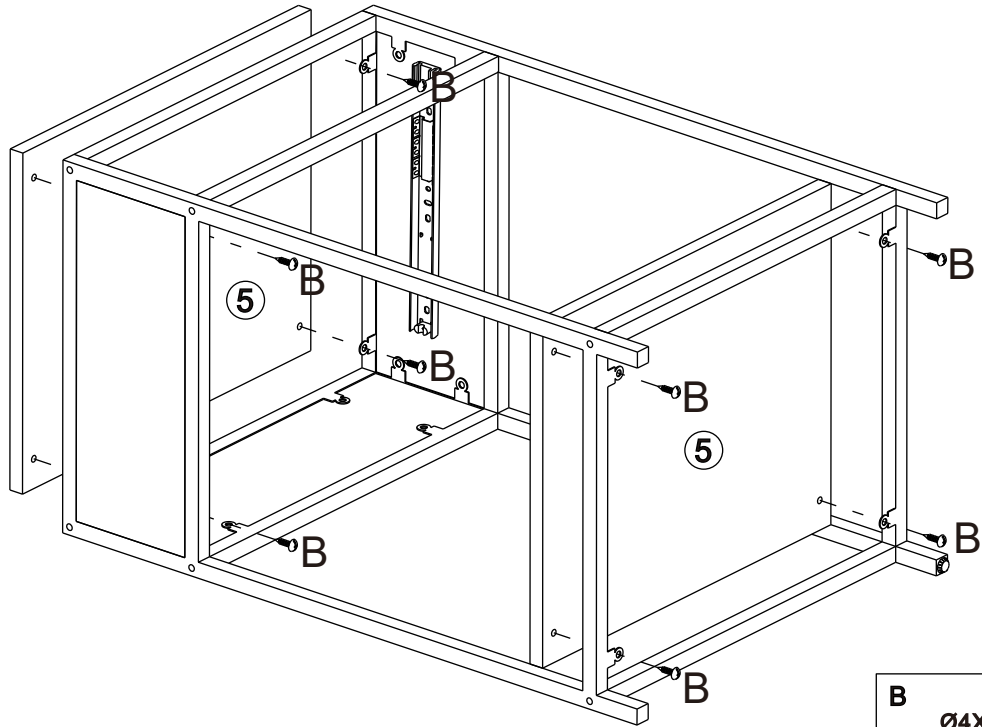
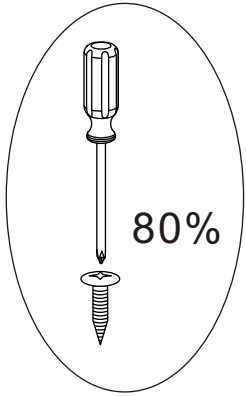
5



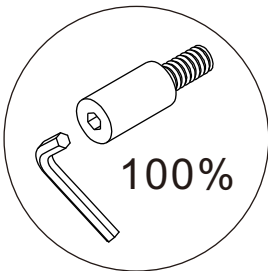
6



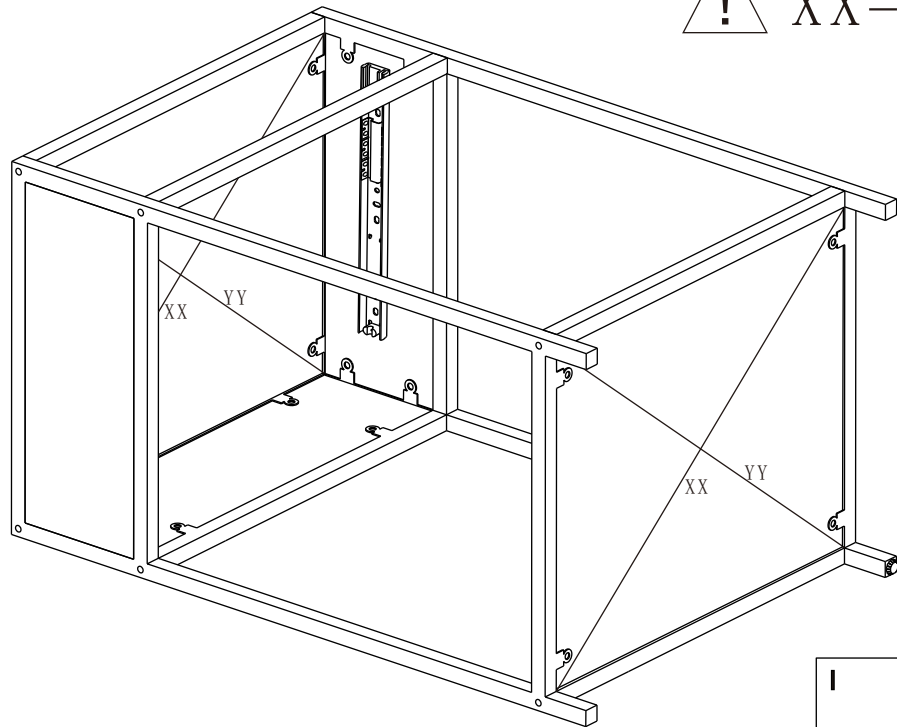
7



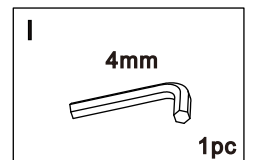
8



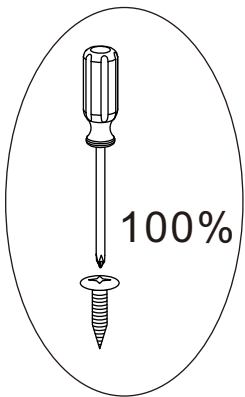
Ax12



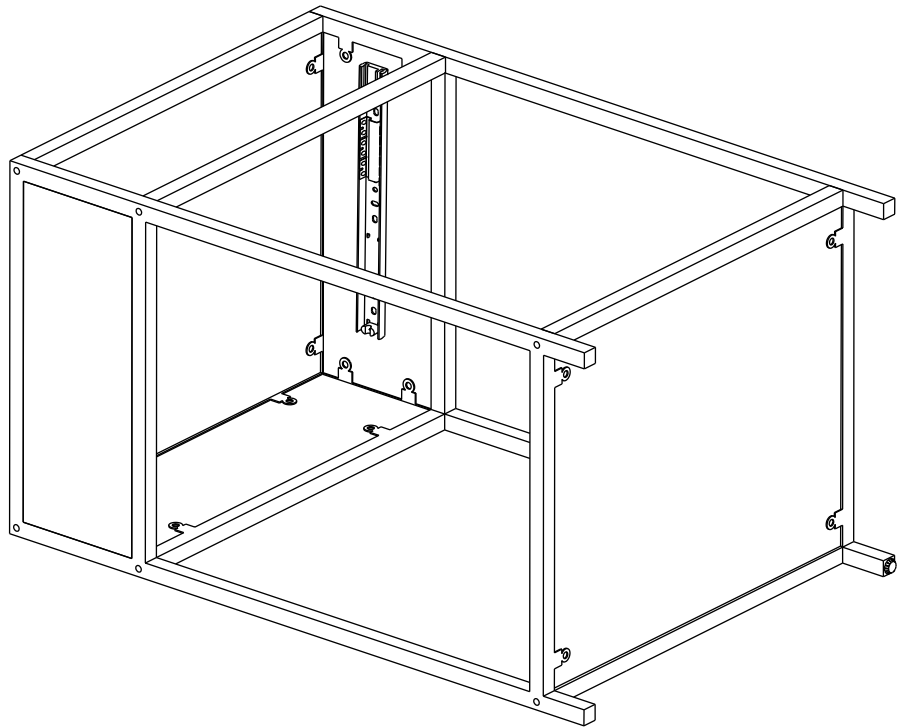
! XX=YY



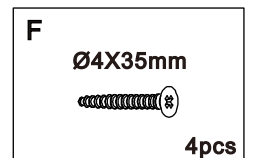
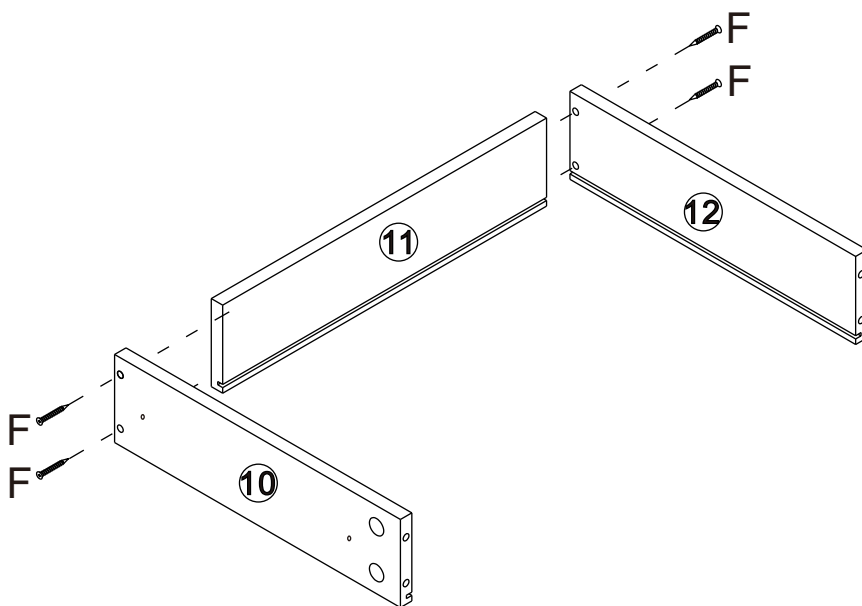
9



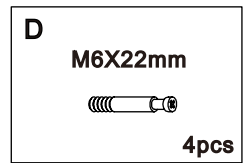
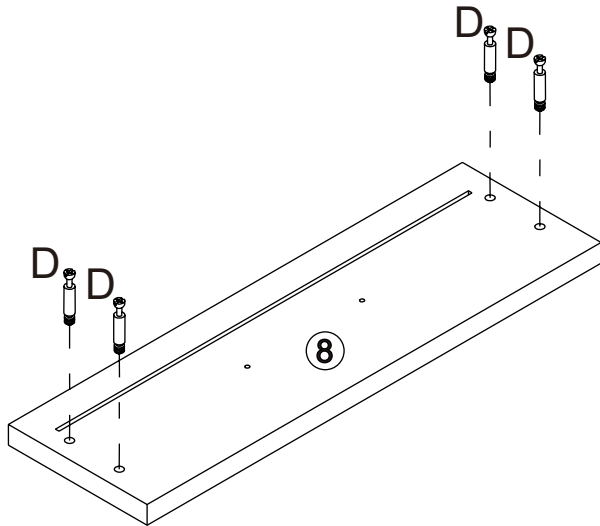
Bx12



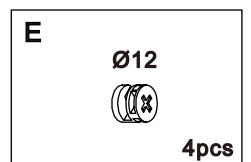
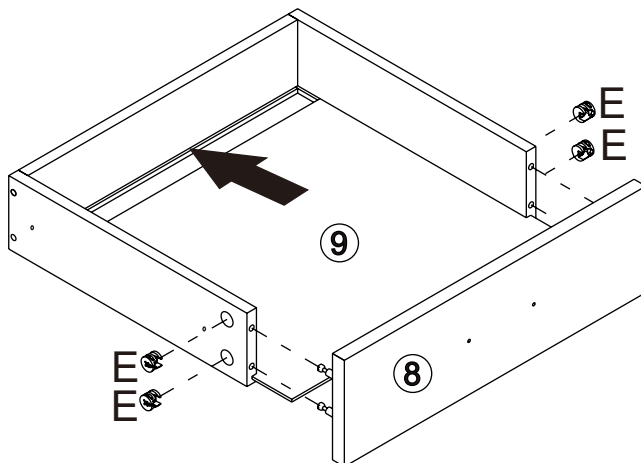
10

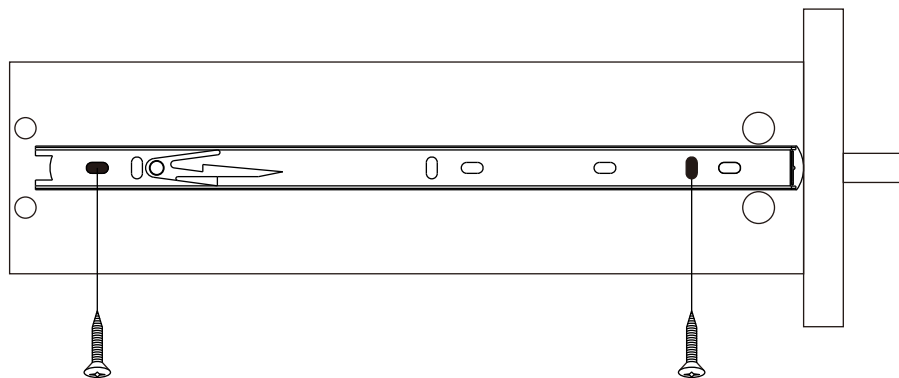
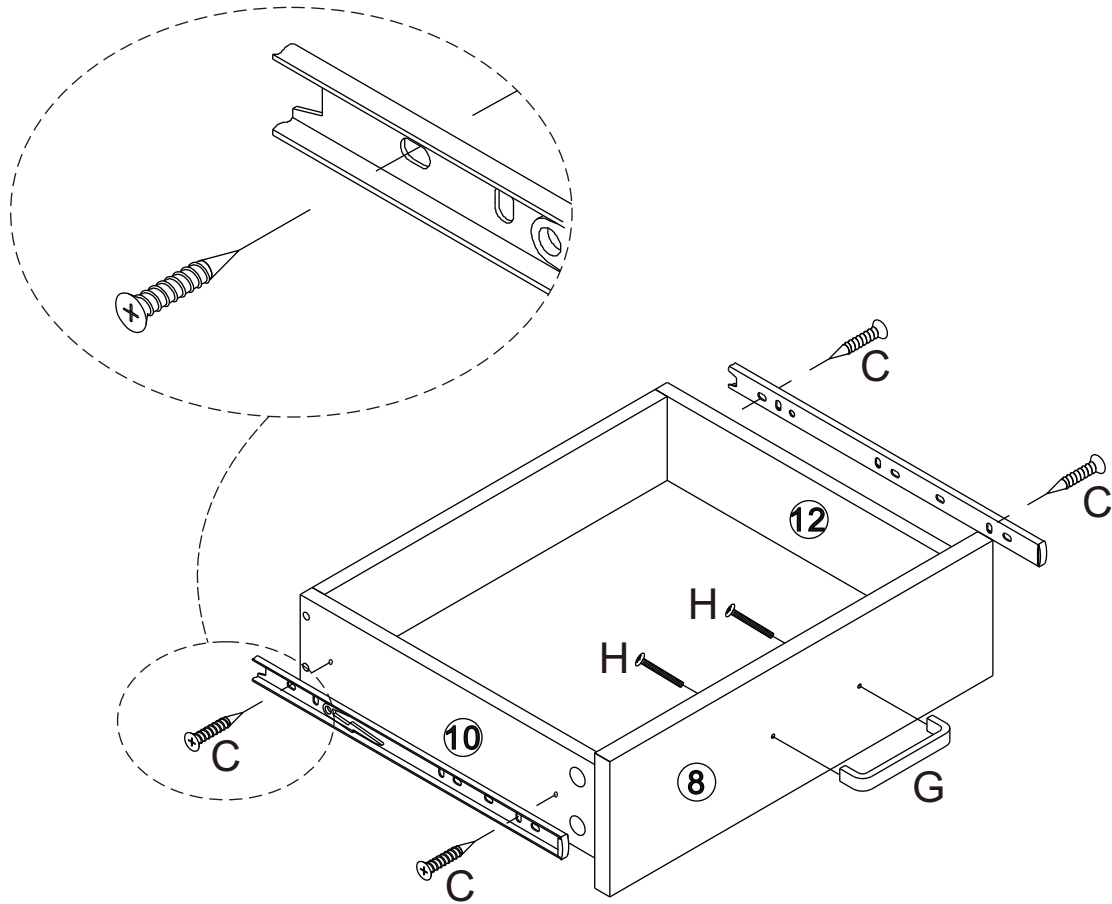


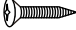
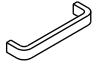

11



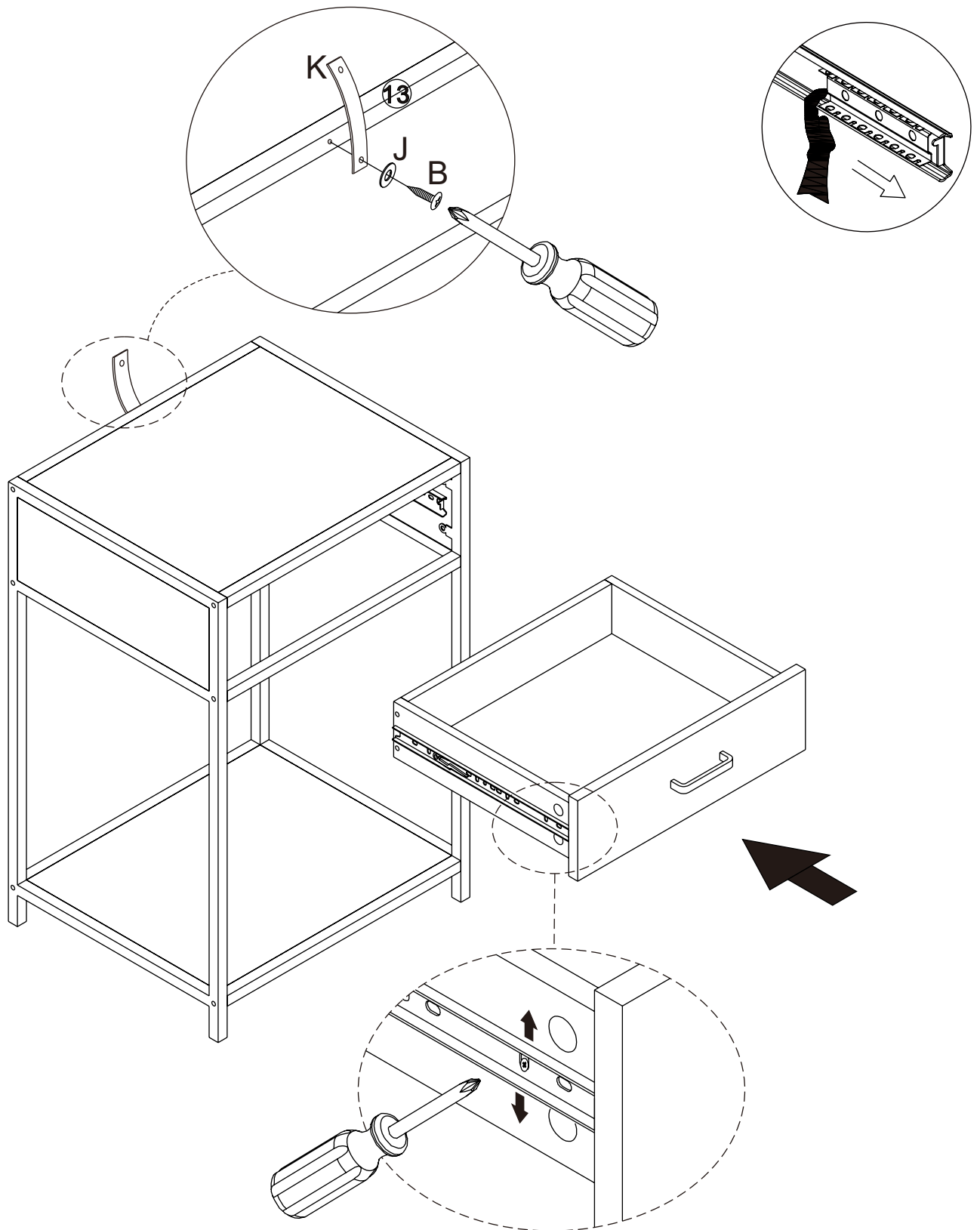
12








<p>C Ø3.5X12mm</p>  <p>4pcs</p>	<p>G 101X24X11mm</p>  <p>1pc</p>	<p>H M4X18mm</p>  <p>2pcs</p>
---	--	---

14



B Ø4X12mm  1pc	J Ø13  1pc	K 200X25X1.3mm  1pc
---	---	--

15

