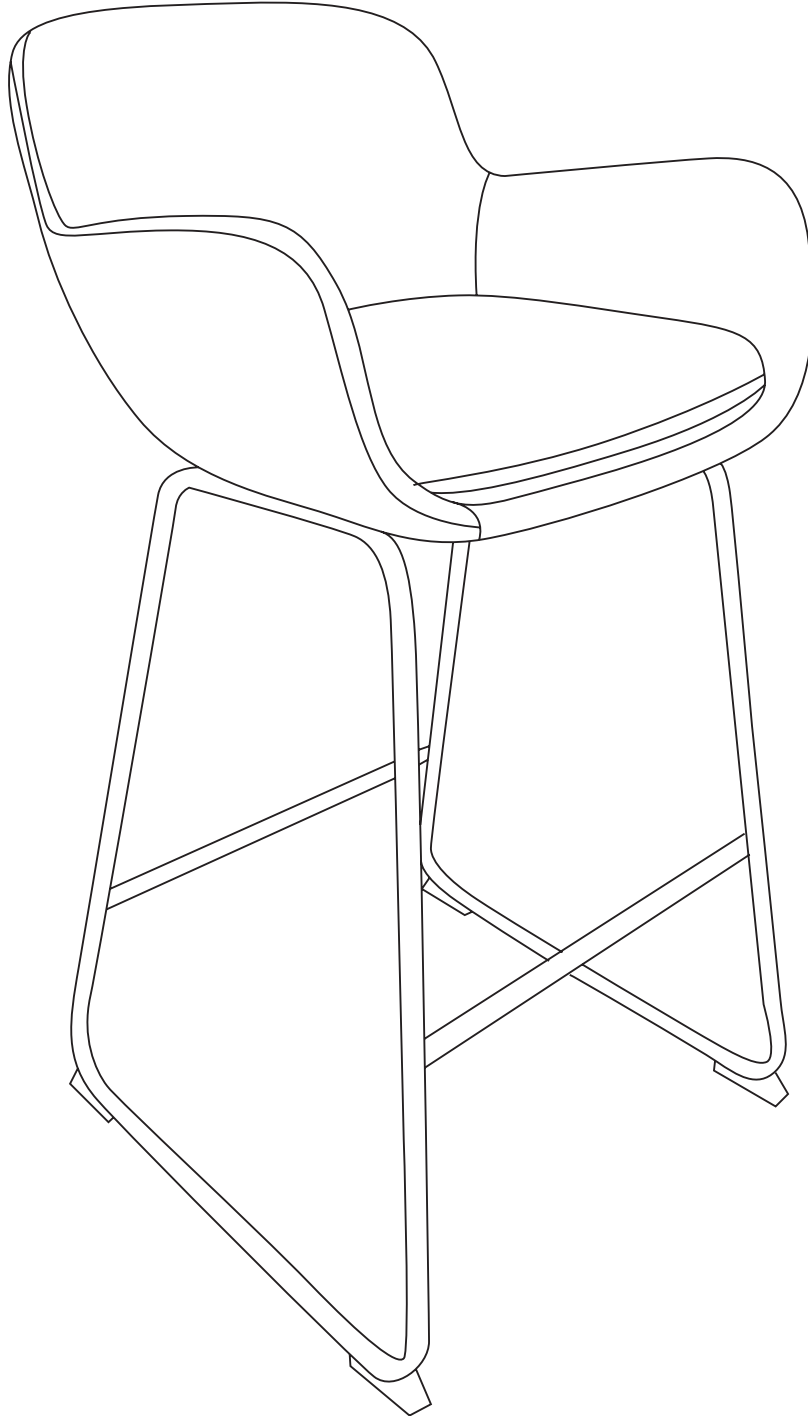

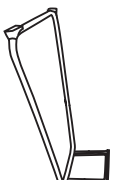







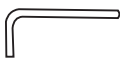





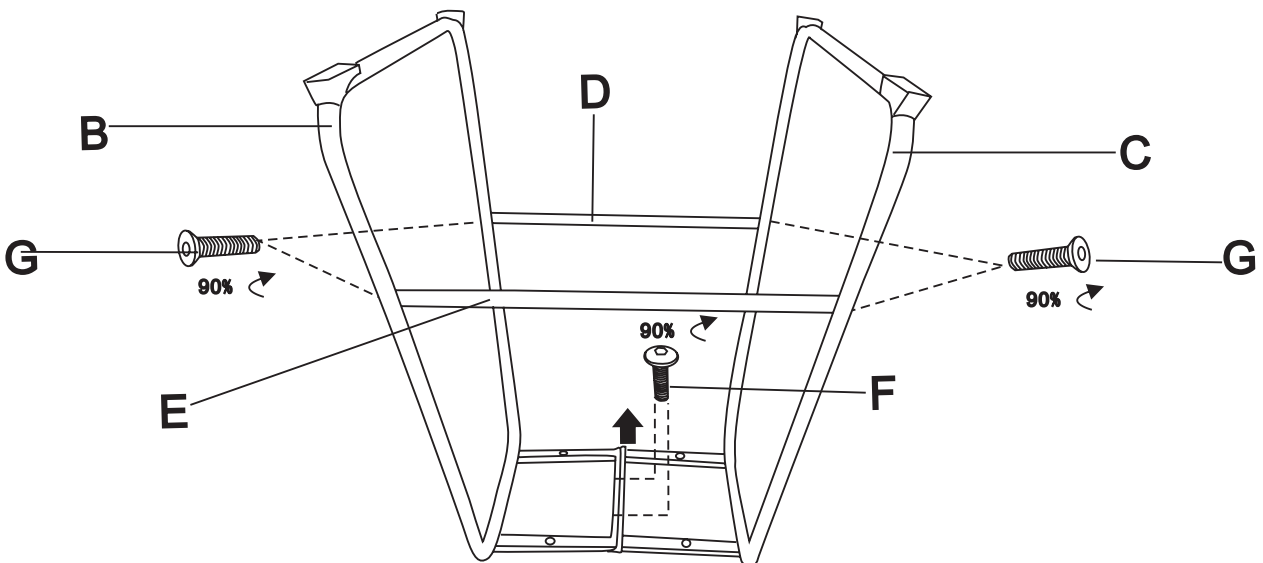
# Lisa



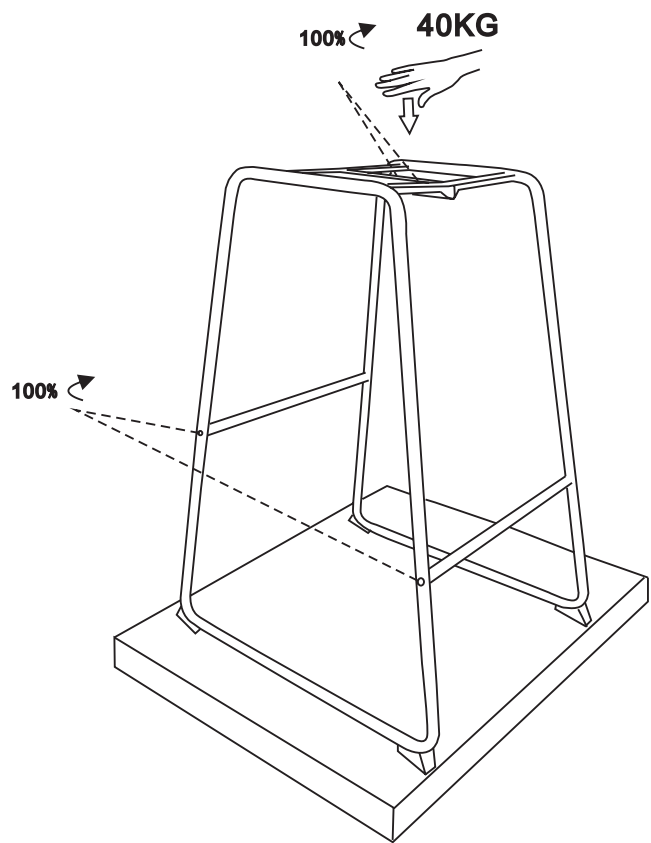
<b>A*1</b> 	<b>B*1</b> 	<b>C*1</b> 	<b>D*1</b>  <b>400MM</b>	<b>E*1</b>  <b>420MM</b>
<b>F*2</b>  <b>M6*14</b>	<b>G*4</b>  <b>M6*25</b>	<b>H*4</b>  <b>M6*16</b>	<b>I*4</b>  <b>M6*25</b>	<b>J*1</b> 

**1**




<b>F*2</b>  <b>M6*14</b>	<b>G*4</b>  <b>M6*25</b>	<b>J*1</b> 
---	---	---

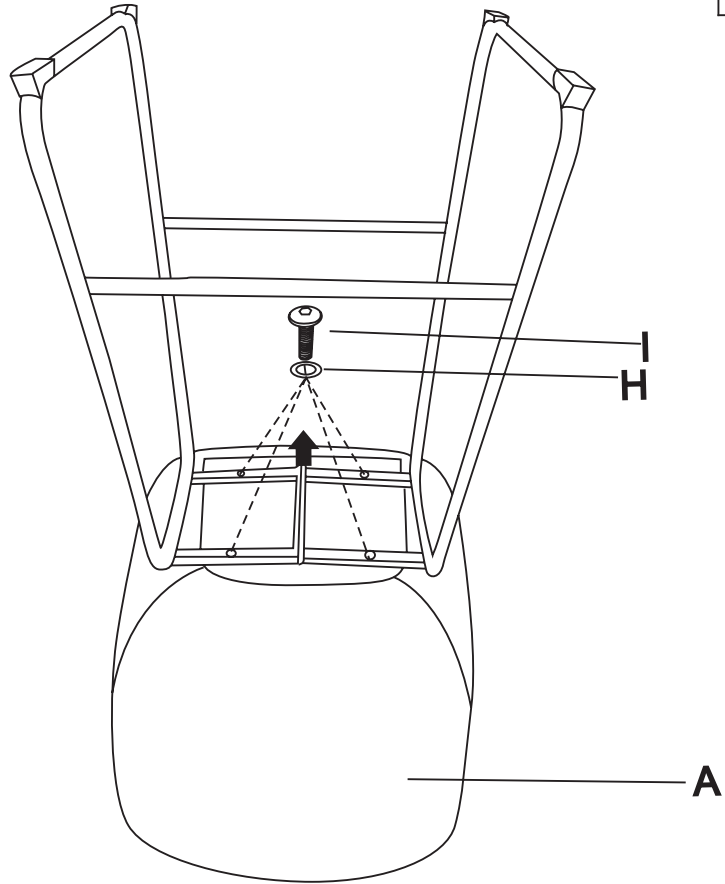


**2**



3

<b>H*4</b>  M6*16	<b>I*4</b>  M6*25	<b>J*1</b> 
--	--	---



4

