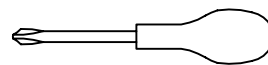
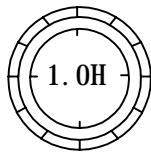
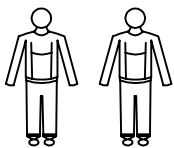
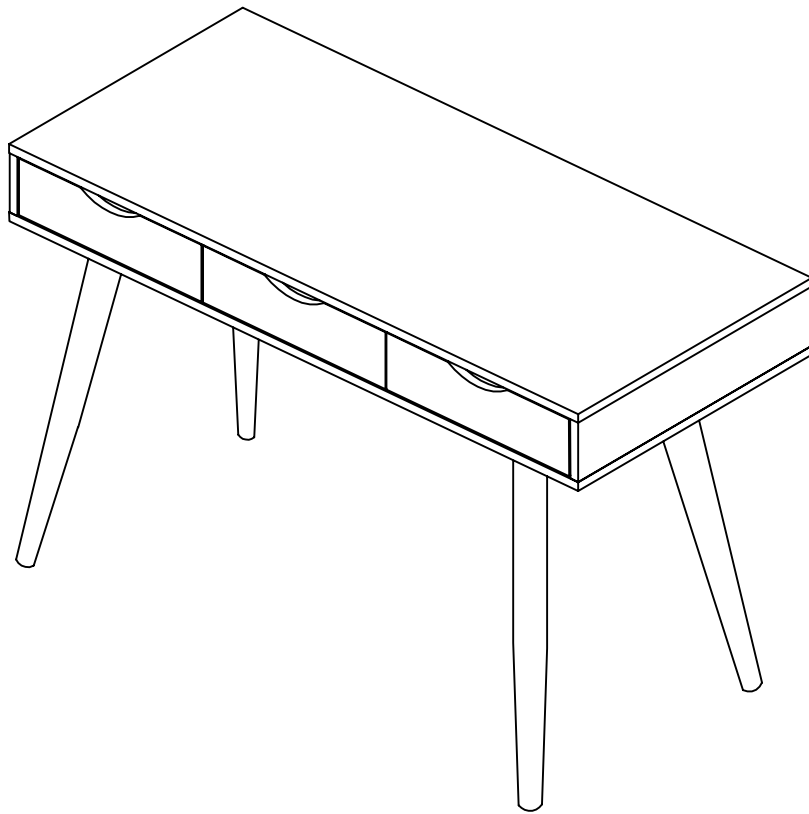
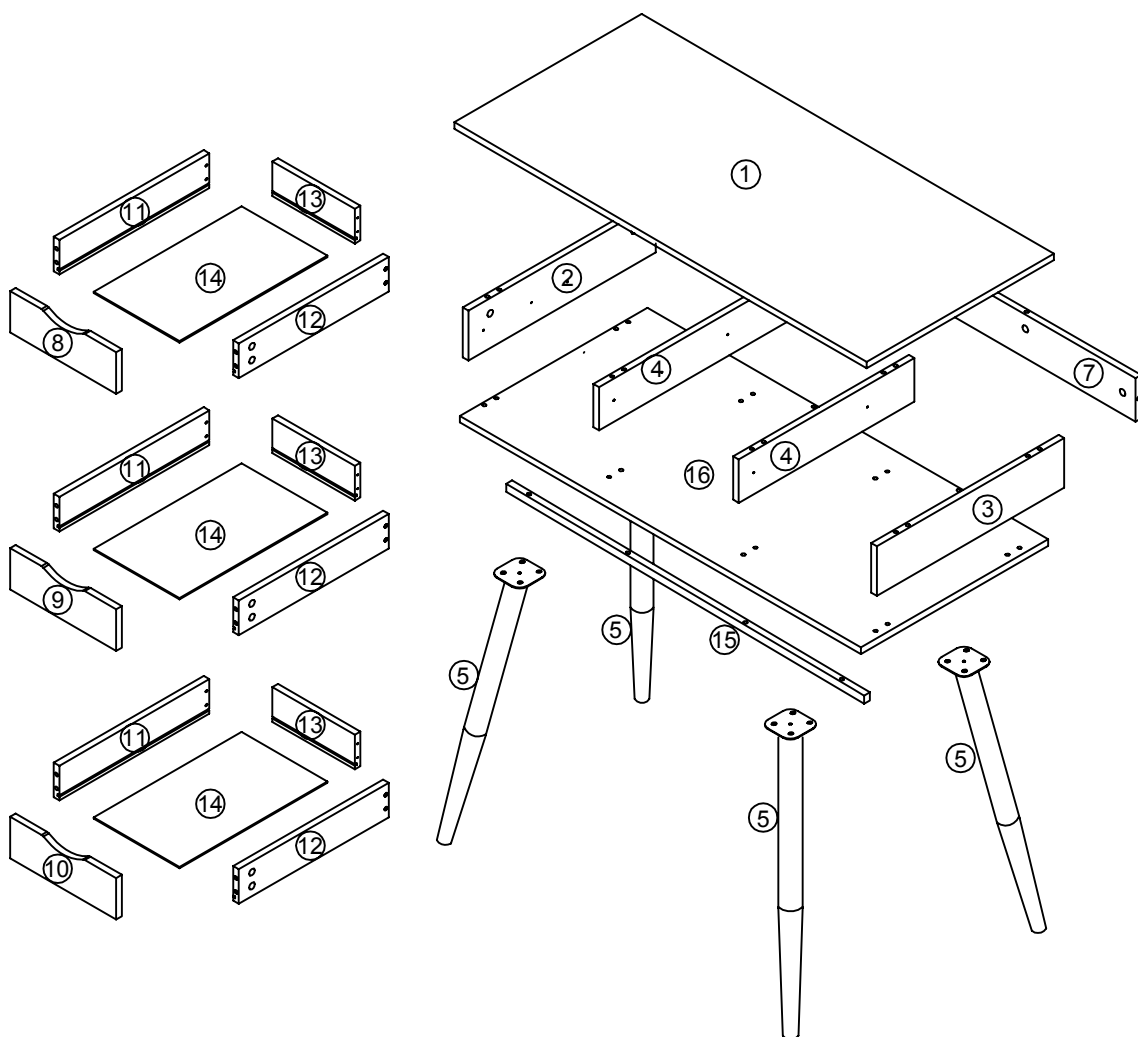


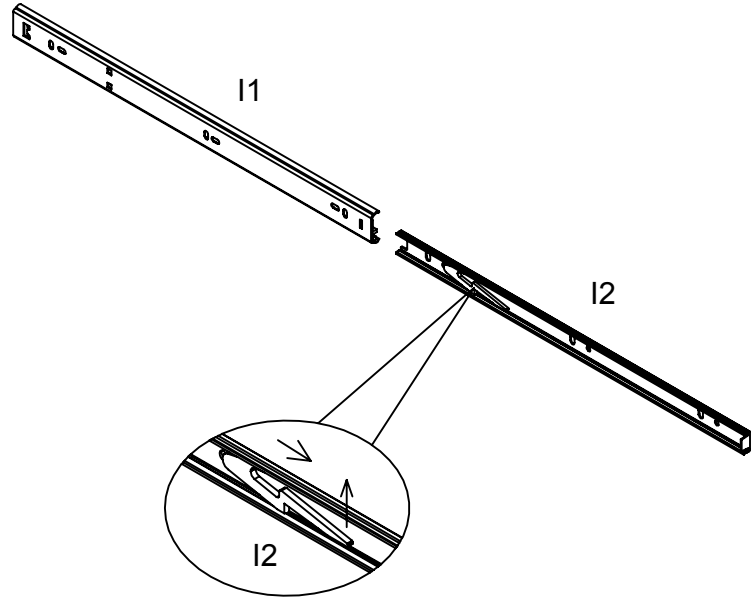
Neptun






| | | | | | |
|--------------------------------|-------------------------------|------------------------------|------------------------------|------------------------------|-------------------------|
| <p>M6×45mm</p> <p>A × 25</p> | <p>Ø15×12mm</p> <p>B × 25</p> | <p>Ø8×30mm</p> <p>C × 16</p> | <p>M7×38mm</p> <p>D × 11</p> | <p>M6×15mm</p> <p>E × 16</p> | <p>4mm</p> <p>F × 1</p> |
| <p>M3.5×14mm</p> <p>G × 24</p> | <p>M4×35mm</p> <p>H × 12</p> | <p>L=380mm</p> <p>I × 6</p> | <p>J × 16</p> | <p>M6×30mm</p> <p>K × 4</p> | |

1

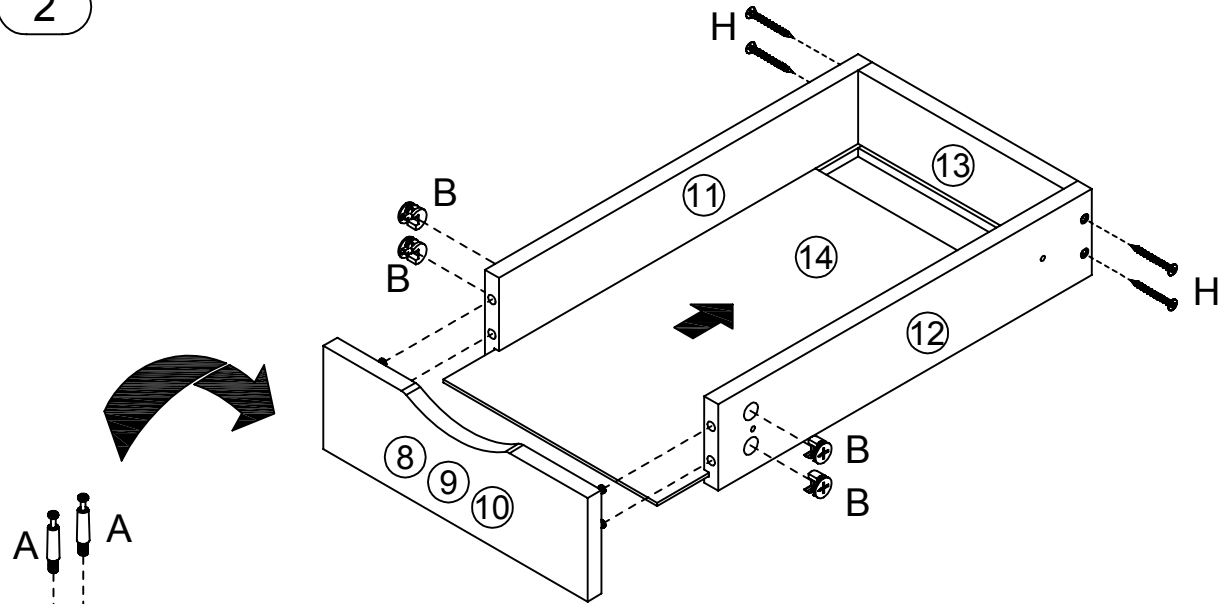


L=380mm

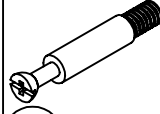


I x 6

2




M6×45mm




A x 12

Ø15×12mm



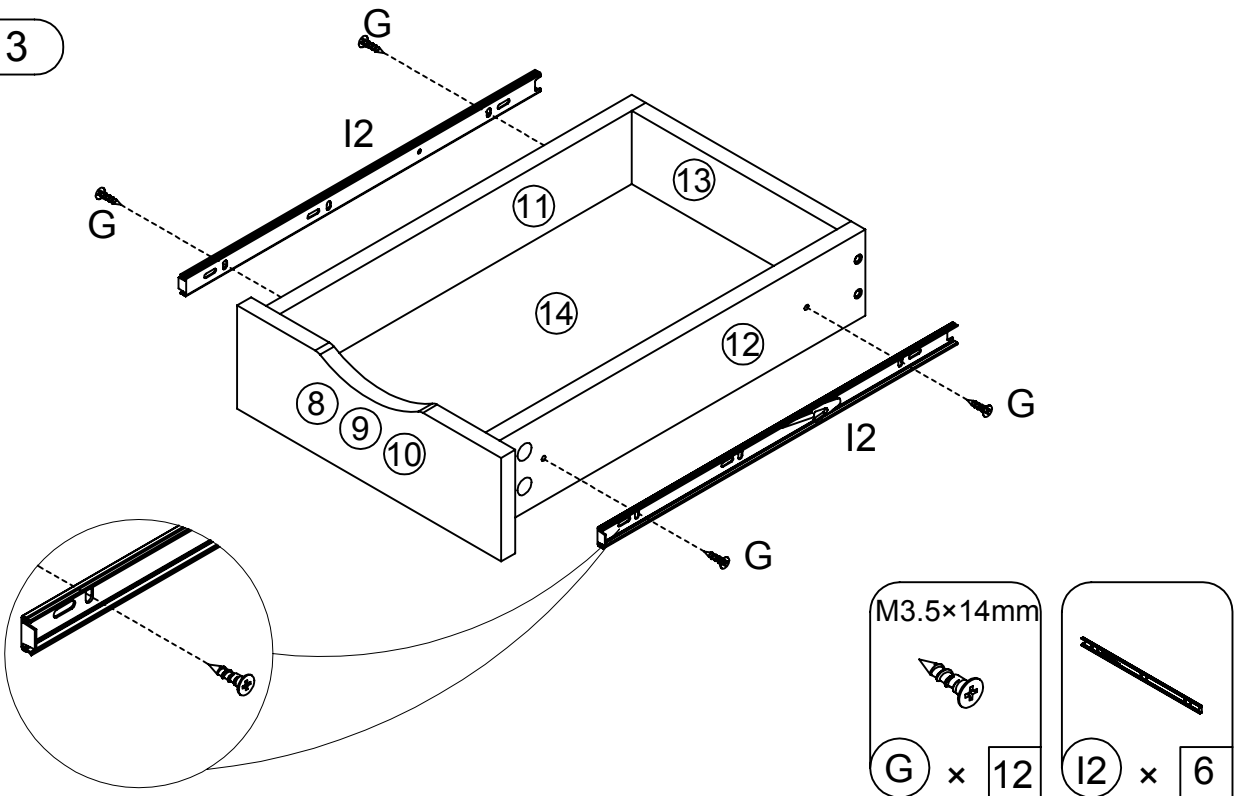
B x 12

M4×35mm

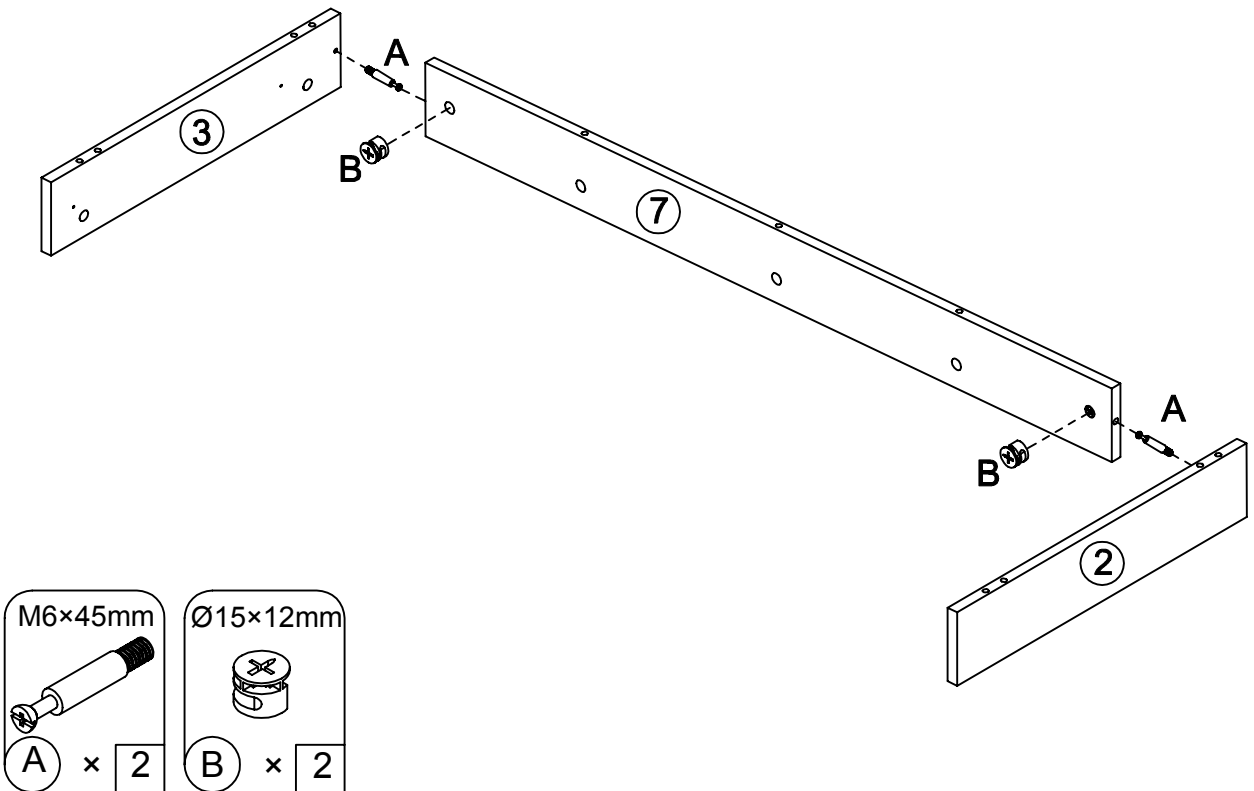


H x 12

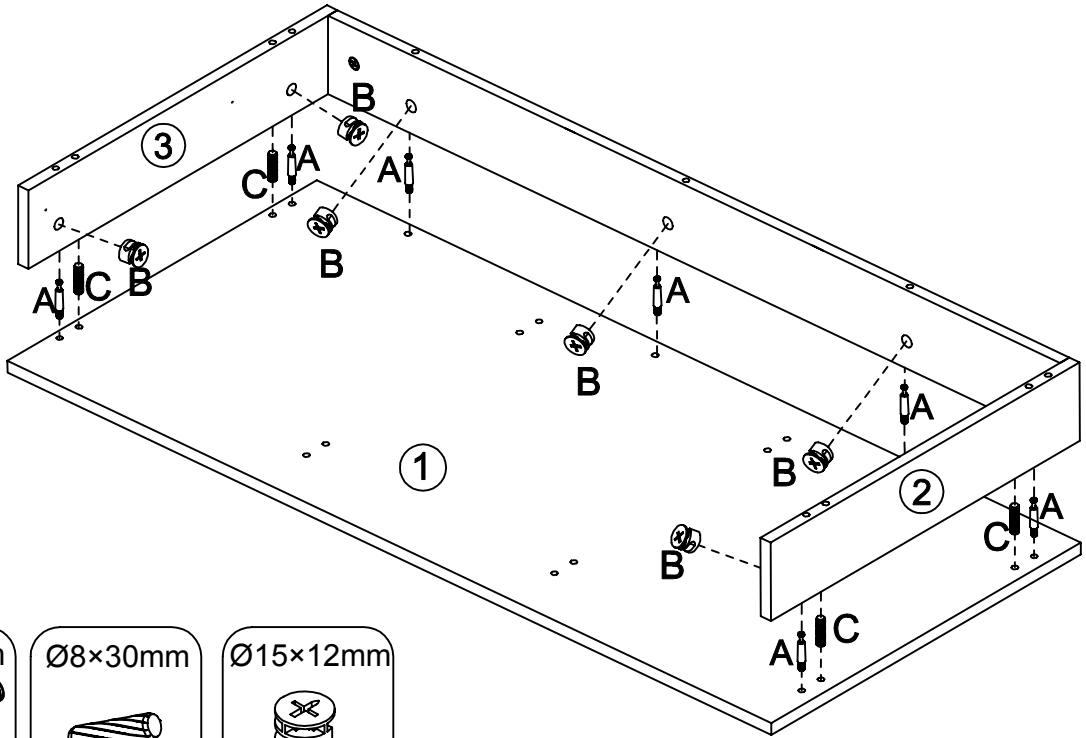
3



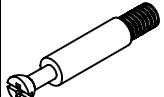
4



5

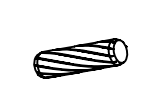


M6×45mm



A × 7

Ø8×30mm



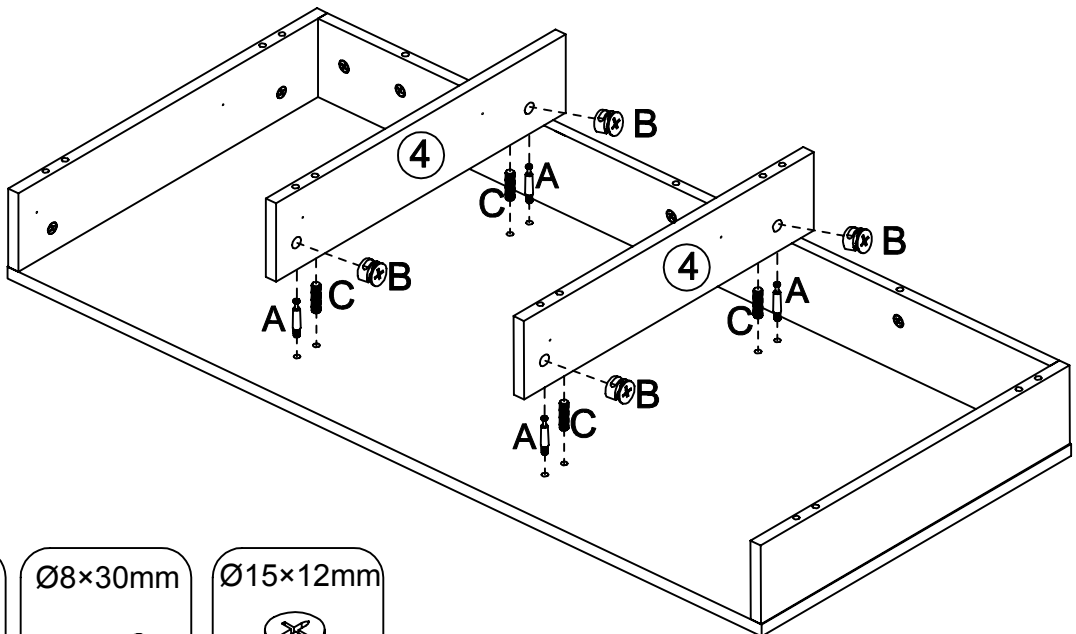
C × 4

Ø15×12mm

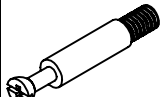


B × 7

6

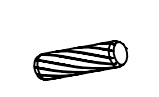


M6×45mm



A × 4

Ø8×30mm



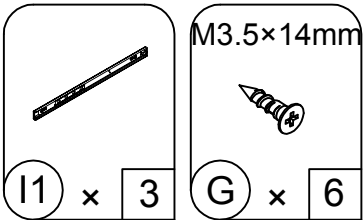
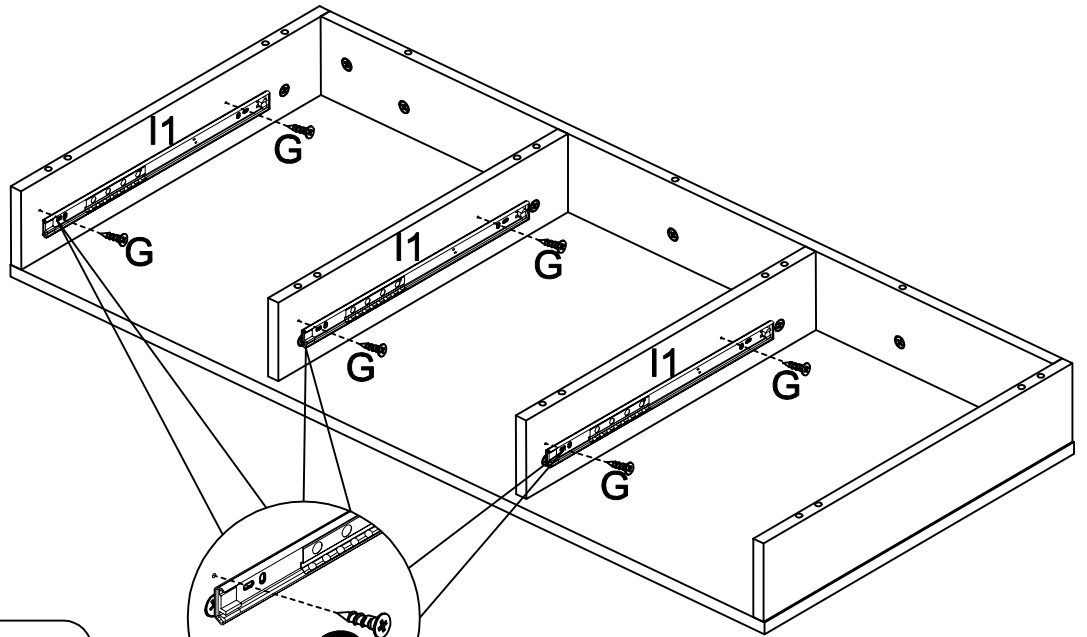
C × 4

Ø15×12mm

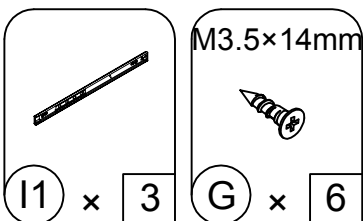
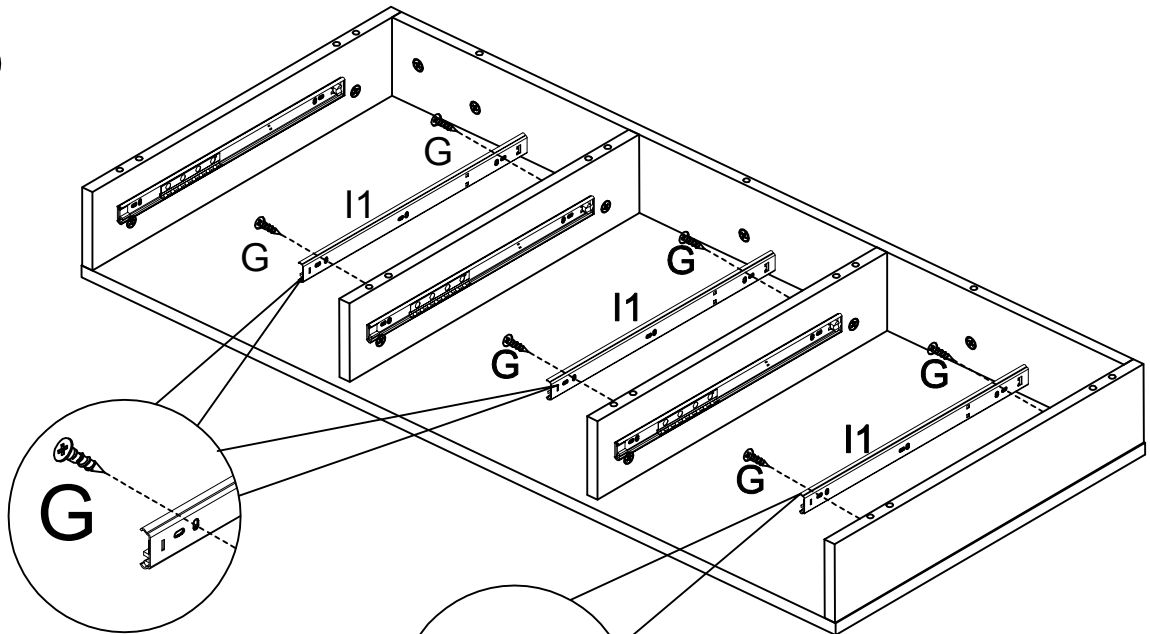


B × 4

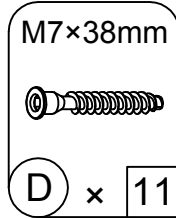
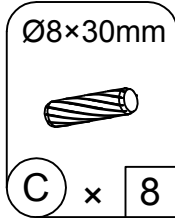
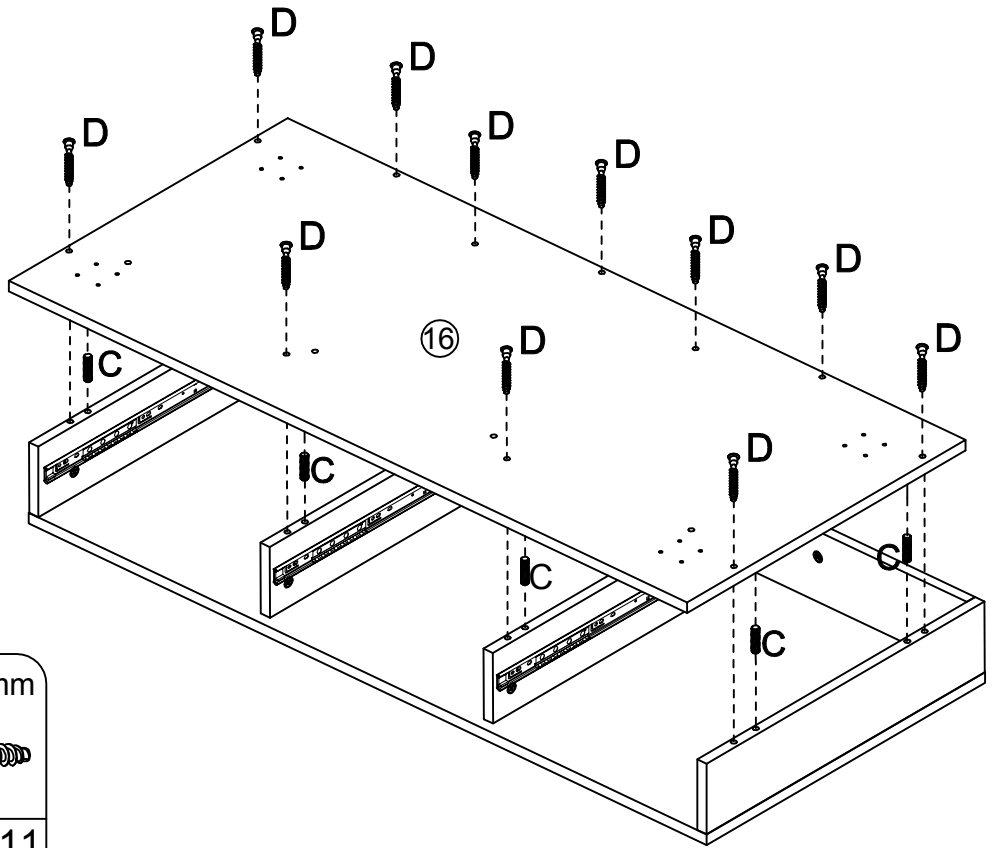
7



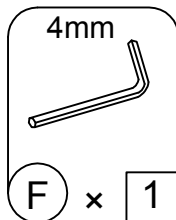
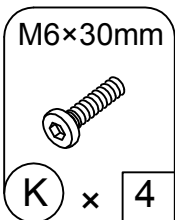
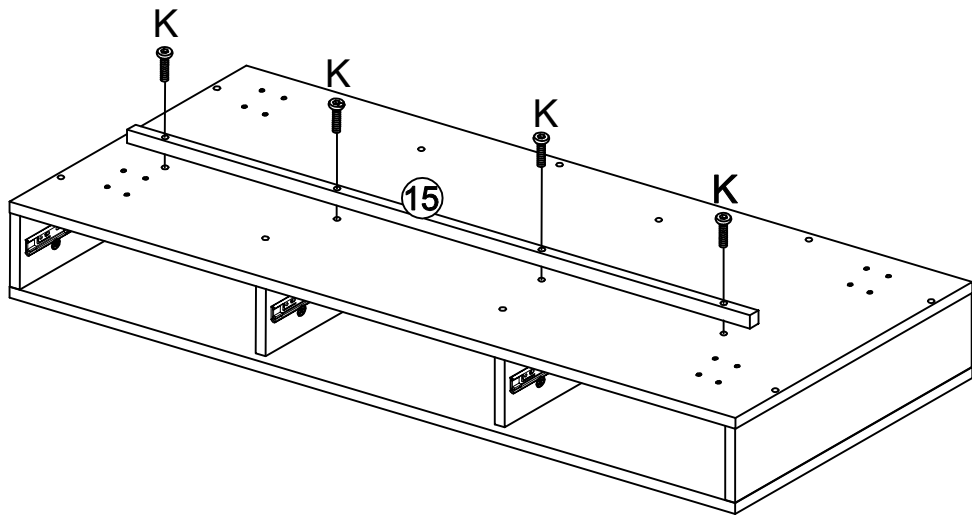
8



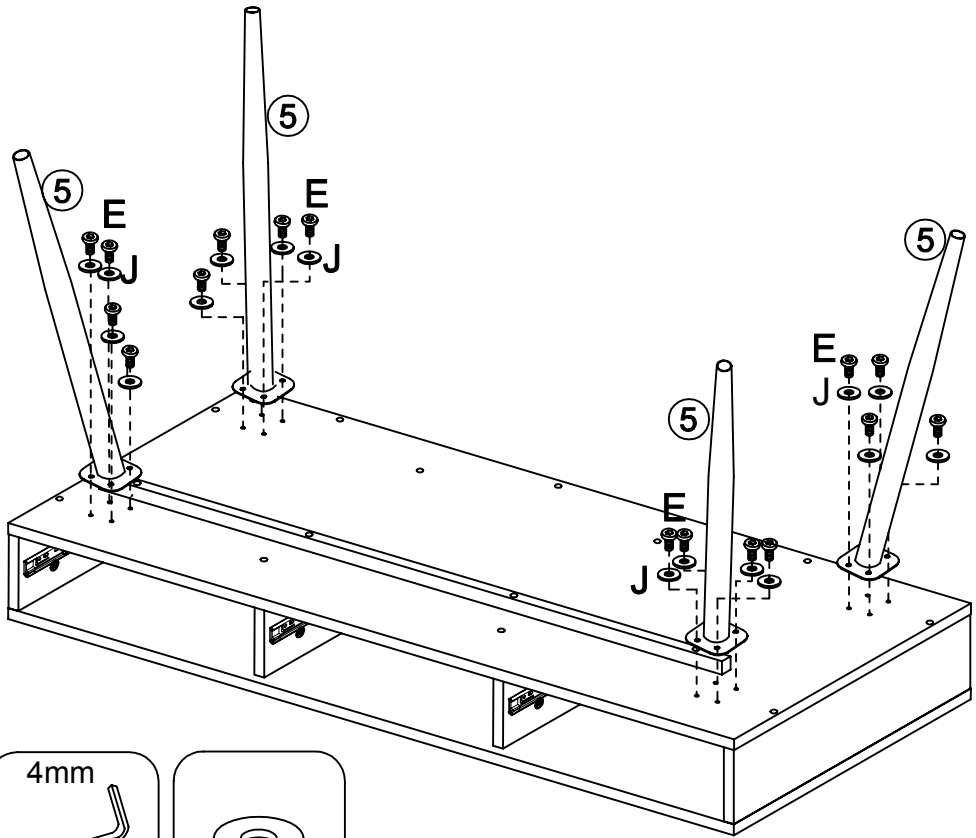
9






10

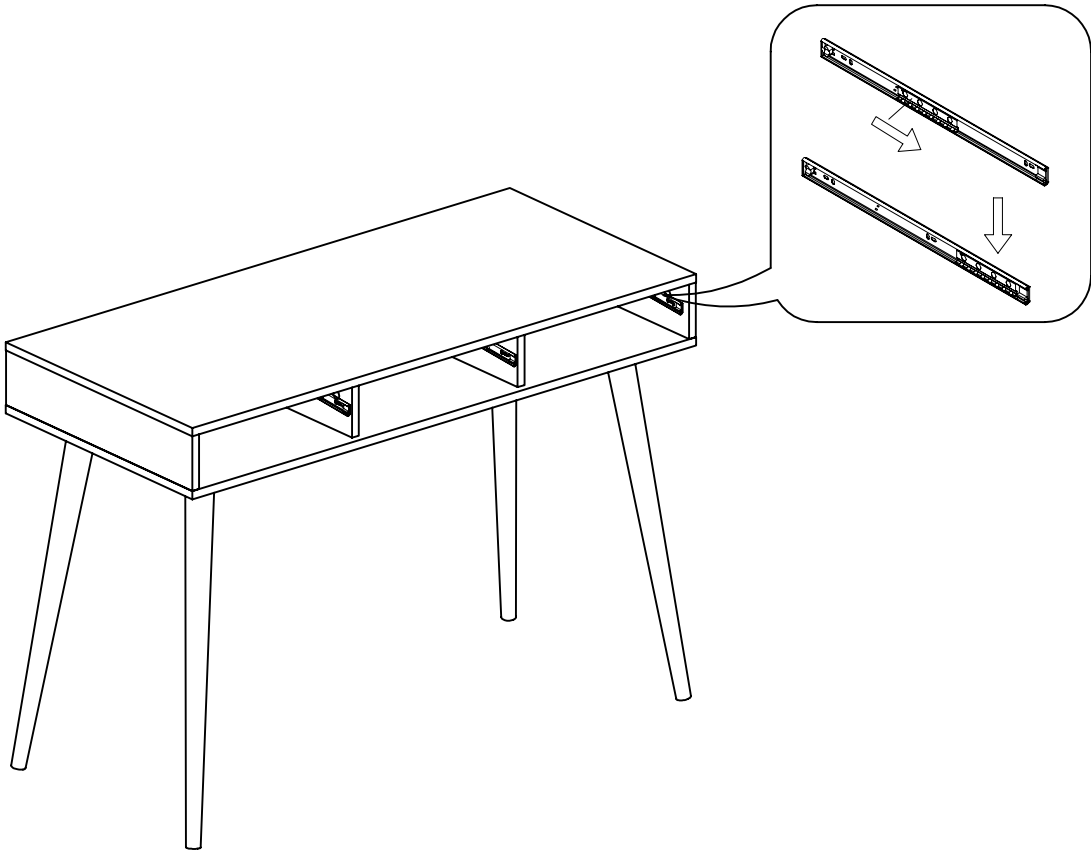


11



| | | |
|---|---|--|
| M6×15mm  | 4mm  |  |
| E × 16 | F × 1 | J × 16 |

12



13

