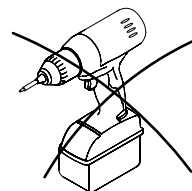
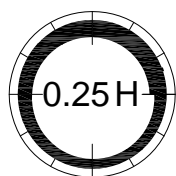
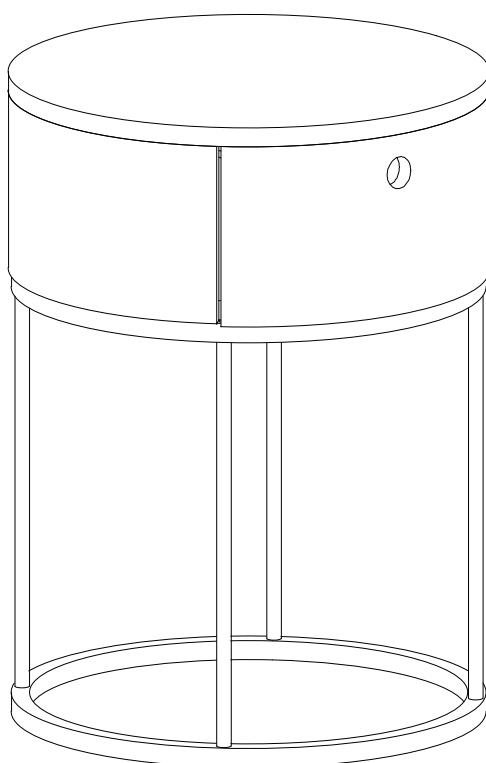
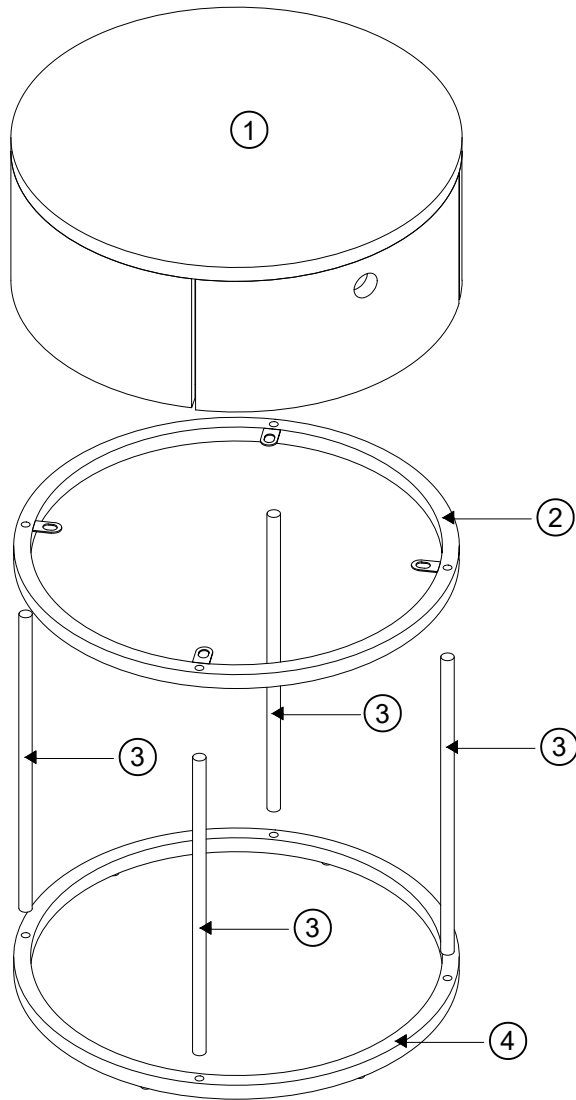
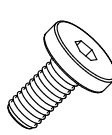
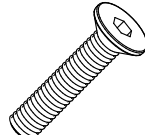

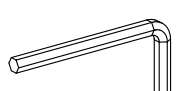
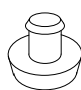


# POLO

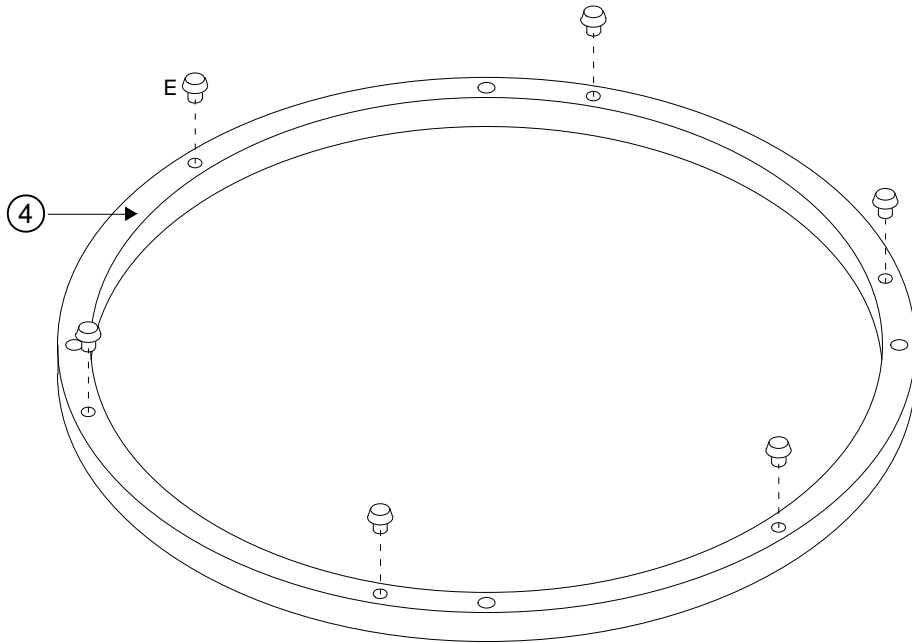
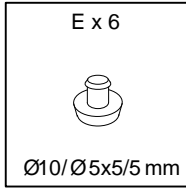


			✓
①	1	Ø400x155	
②	1	Ø395x15	
③	4	Ø12x320	
④	1	Ø395x15	

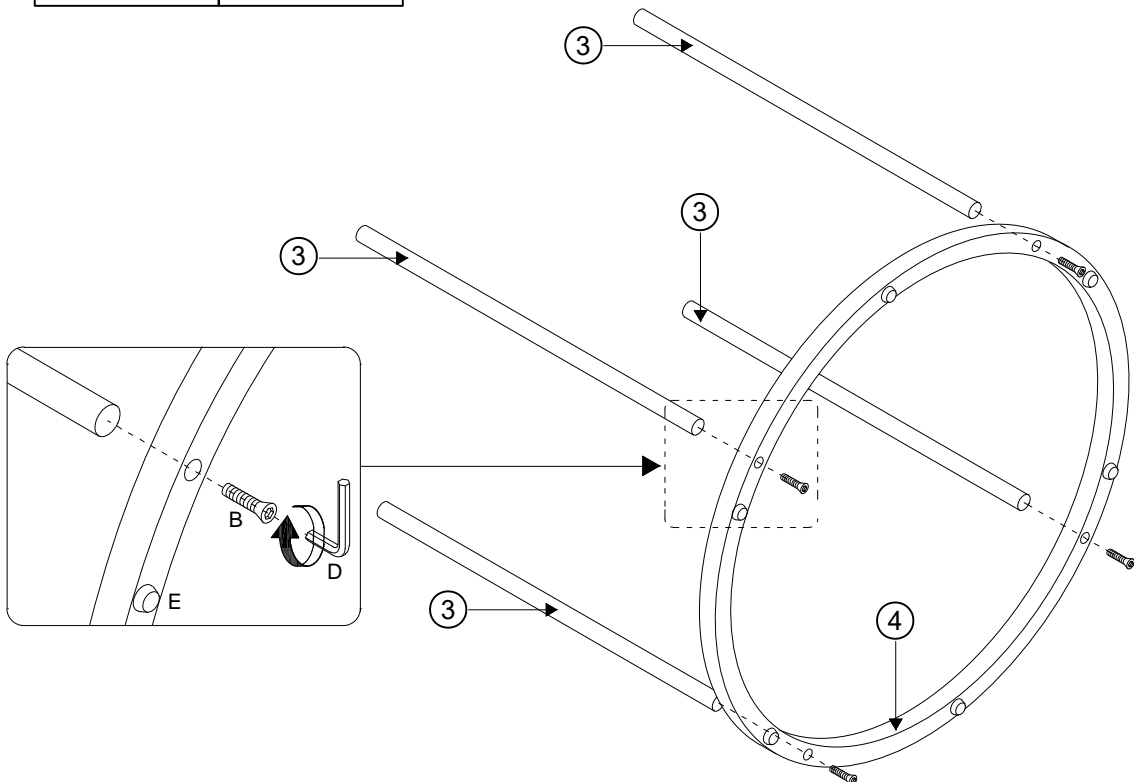
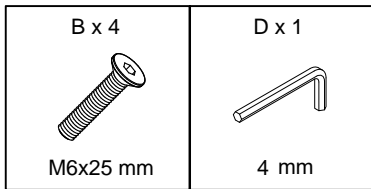


A x 4  M6x16 mm	B x 8  M6x25 mm	C x 4  Ø6/Ø16 mm	D x 1  4 mm	E x 6  Ø10/Ø5x5/5 mm
--	--	---	---	---



# 1

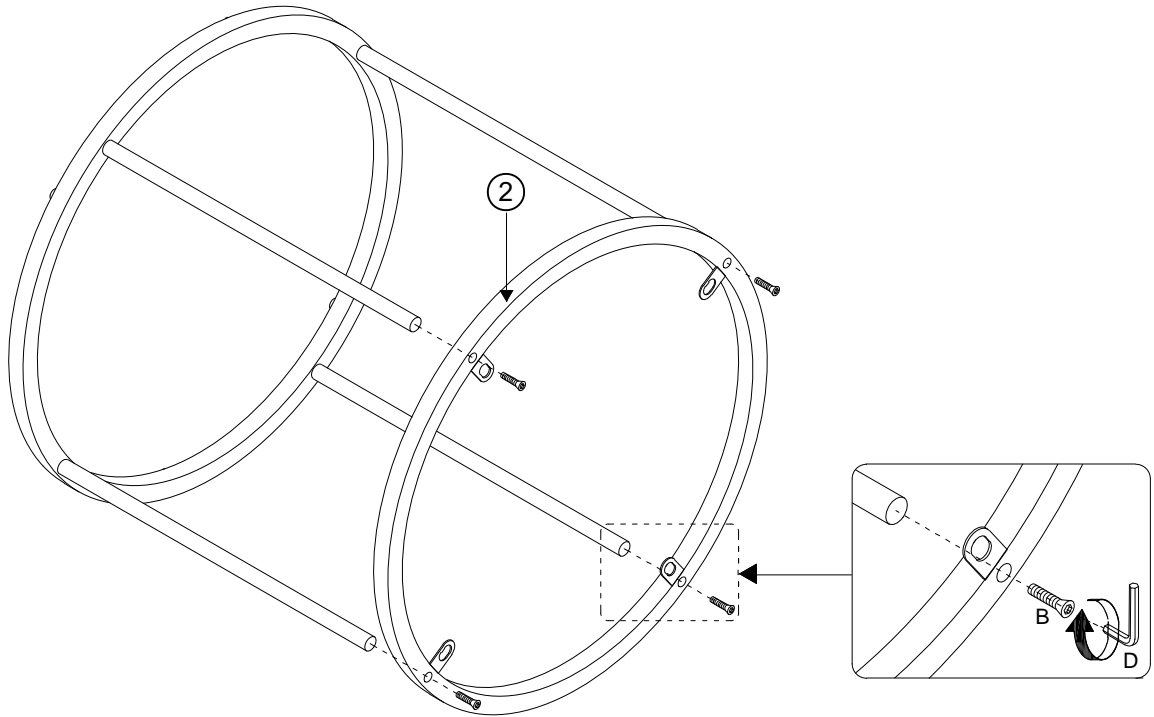


# 2






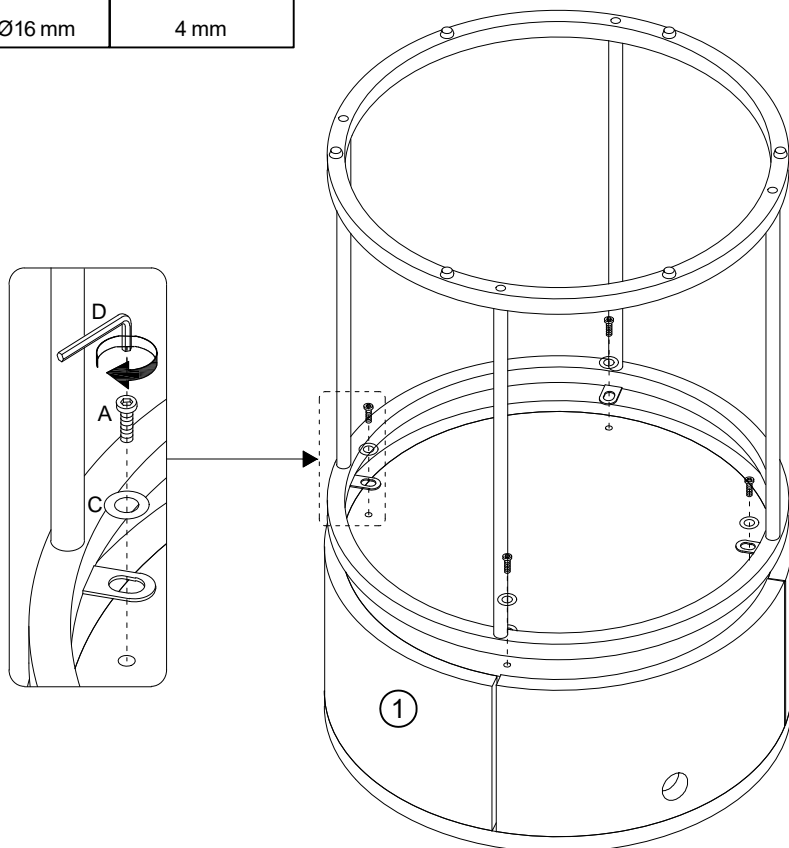
# 3

B x 4  M6x25 mm	D x 1  4 mm
--	--

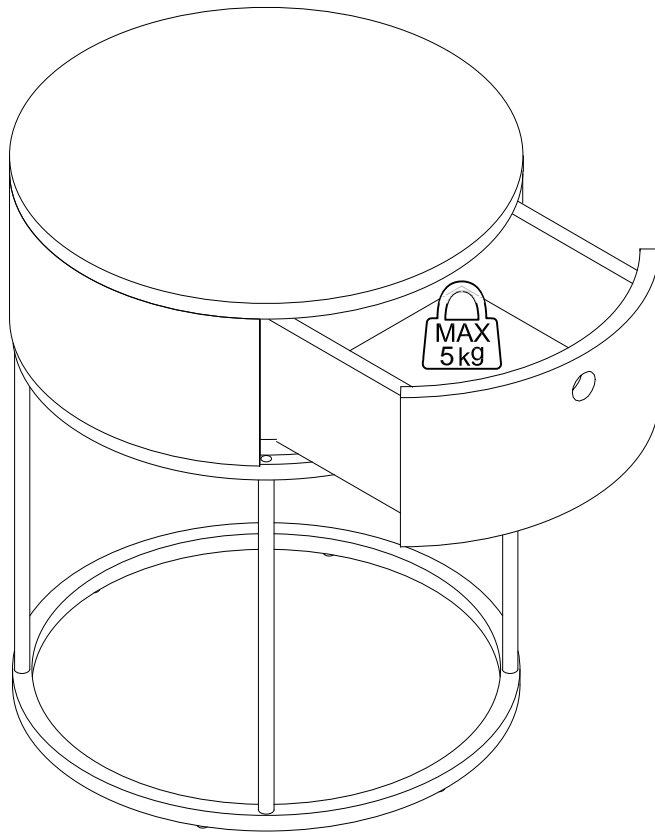


# 4

A x 4  M6x16 mm	C x 4  Ø6/Ø16 mm	D x 1  4 mm
--	---	--



5



6

