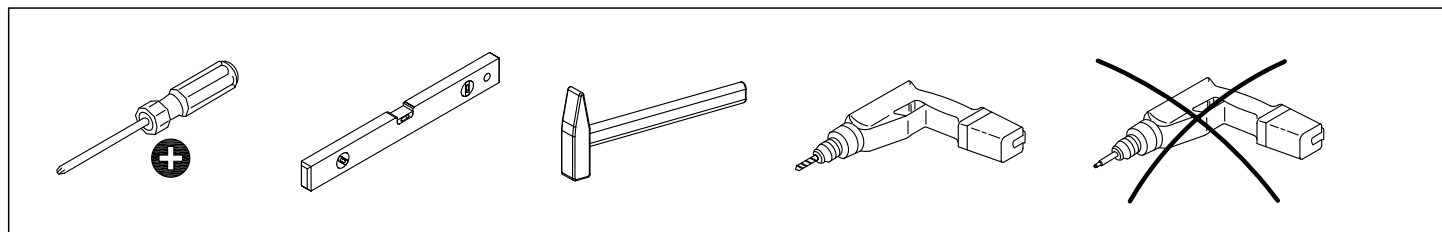
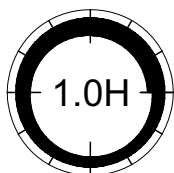
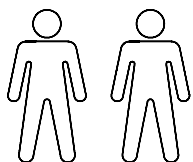
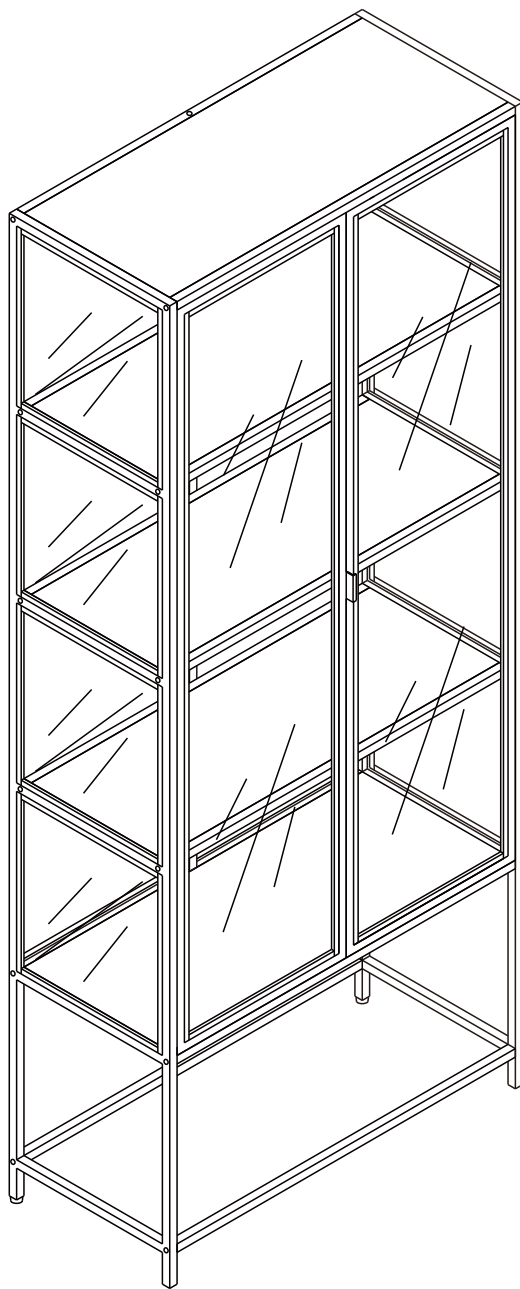
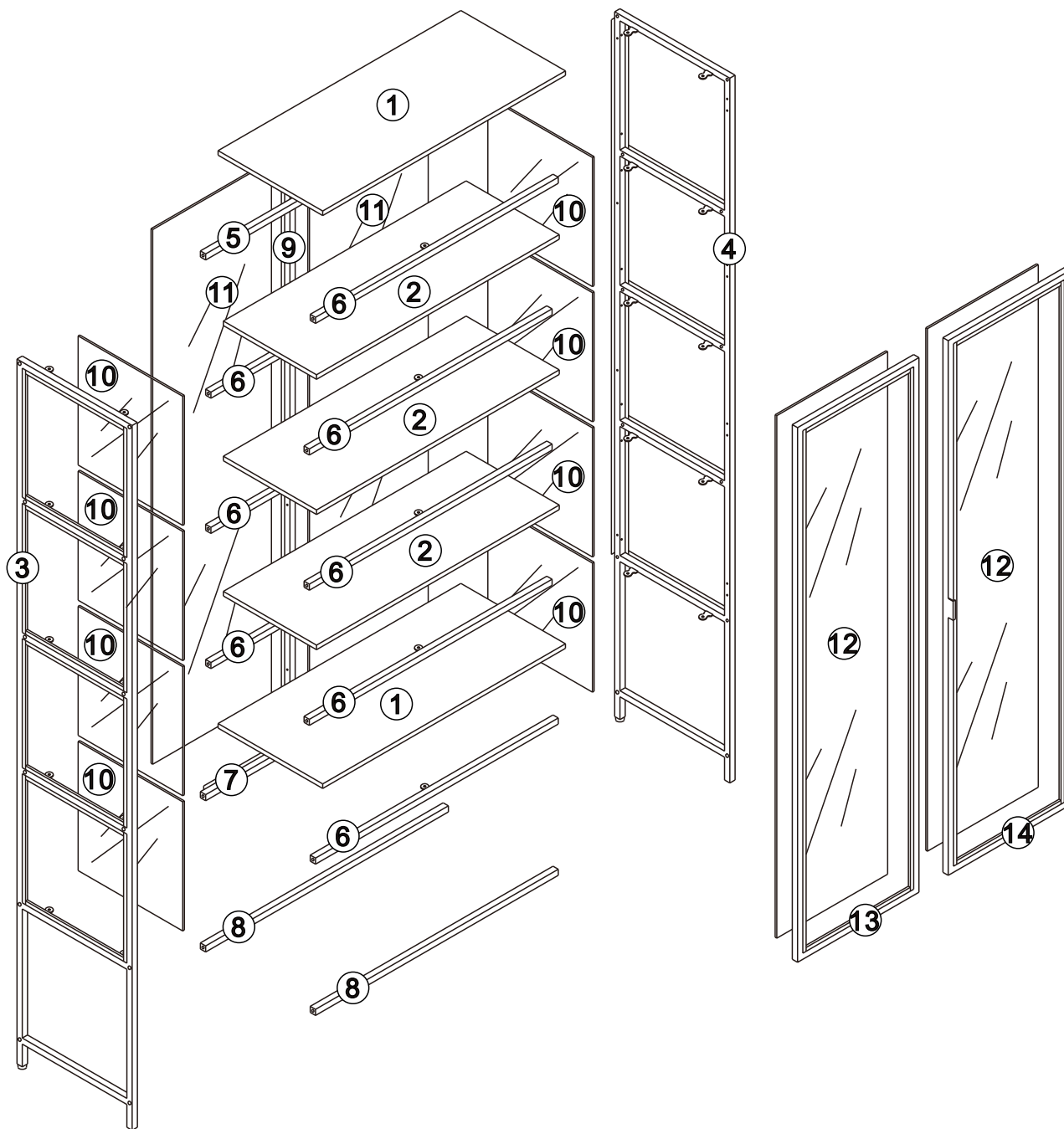



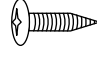
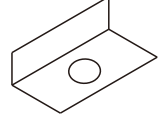

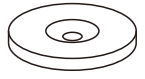


# SEAFORD





			✓
①	2	735x315x12mm	
②	3	735x282x12mm	
③	1	1855x350x42mm	
④	1	1855x350x42mm	
⑤	1	738x42x26mm	
⑥	8	738x42x16mm	
⑦	1	738x42x16mm	

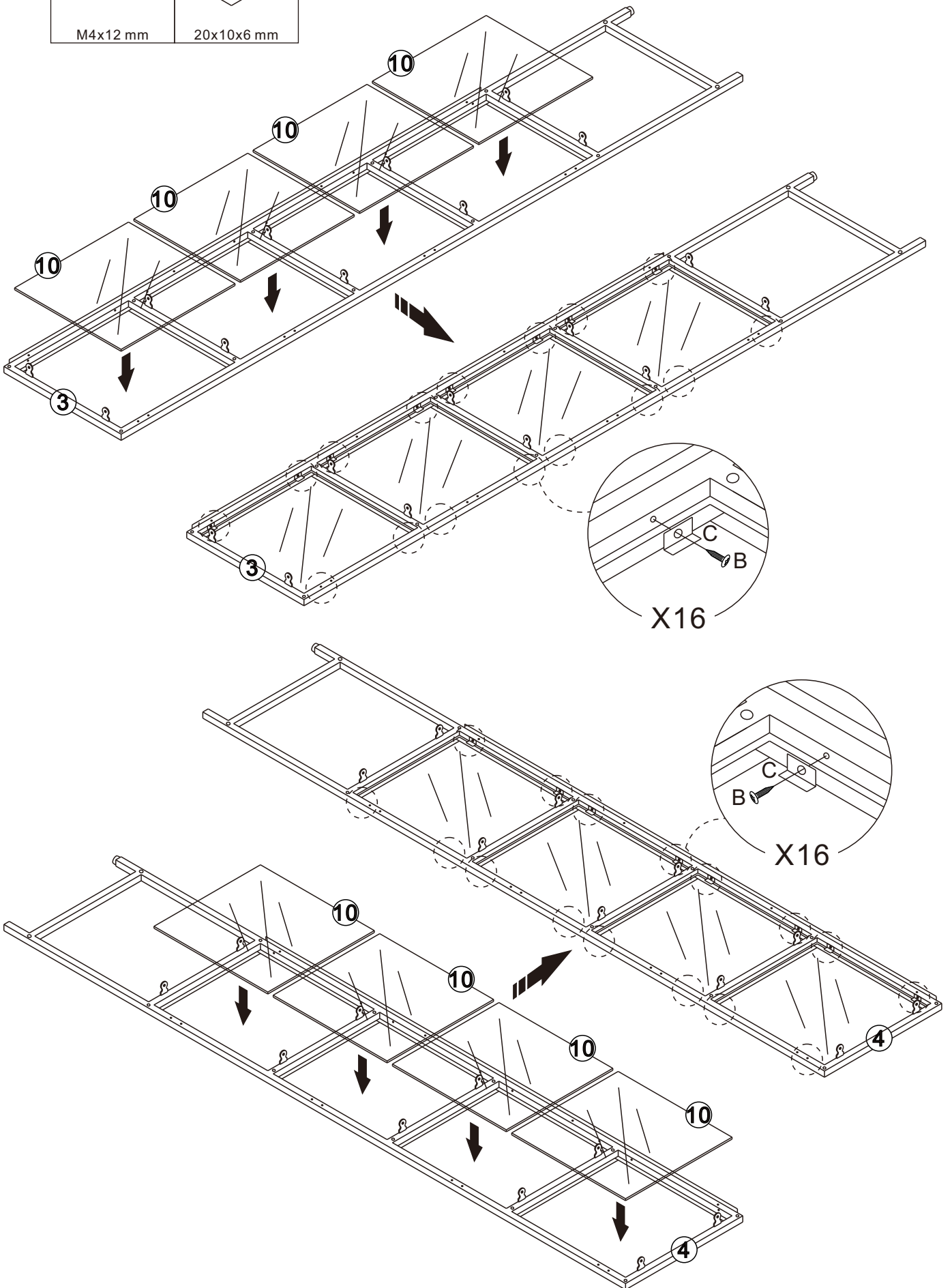
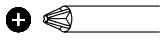
			✓
⑧	2	738x16x16mm	
⑨	1	1410x36x16mm	
⑩	8	337x314x5mm	
⑪	2	1480x355x5mm	
⑫	2	1365x328x5mm	
⑬	1	1403x363x16mm	
⑭	1	1403x363x32mm	





<p>A x 26</p>  <p>M6x15 mm</p>	<p>B x 110</p>  <p>M4x12 mm</p>	<p>C x 64</p>  <p>20x10x6 mm</p>	<p>D x 4</p>  <p>M3.5x12 mm</p>	<p>E x 4</p>  <p>Ø15</p>
<p>F x 4</p>  <p>Ø15</p>	<p>G x 1</p>  <p>M4</p>			

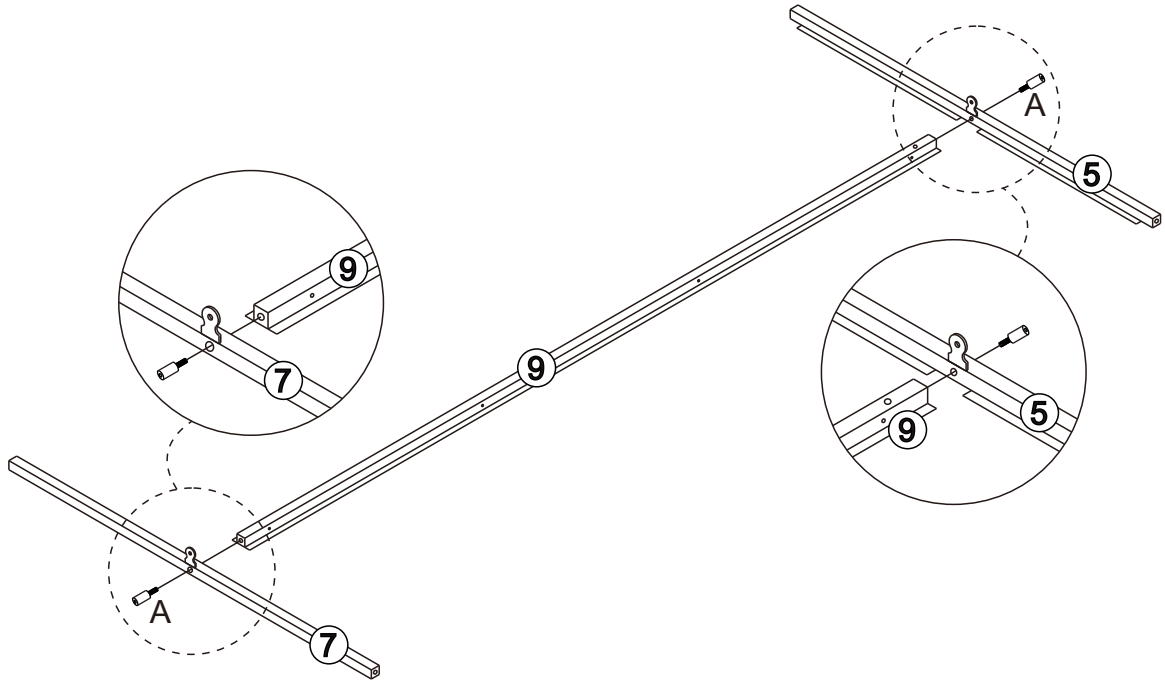
1

B x 32	C x 32
	
M4x12 mm	20x10x6 mm





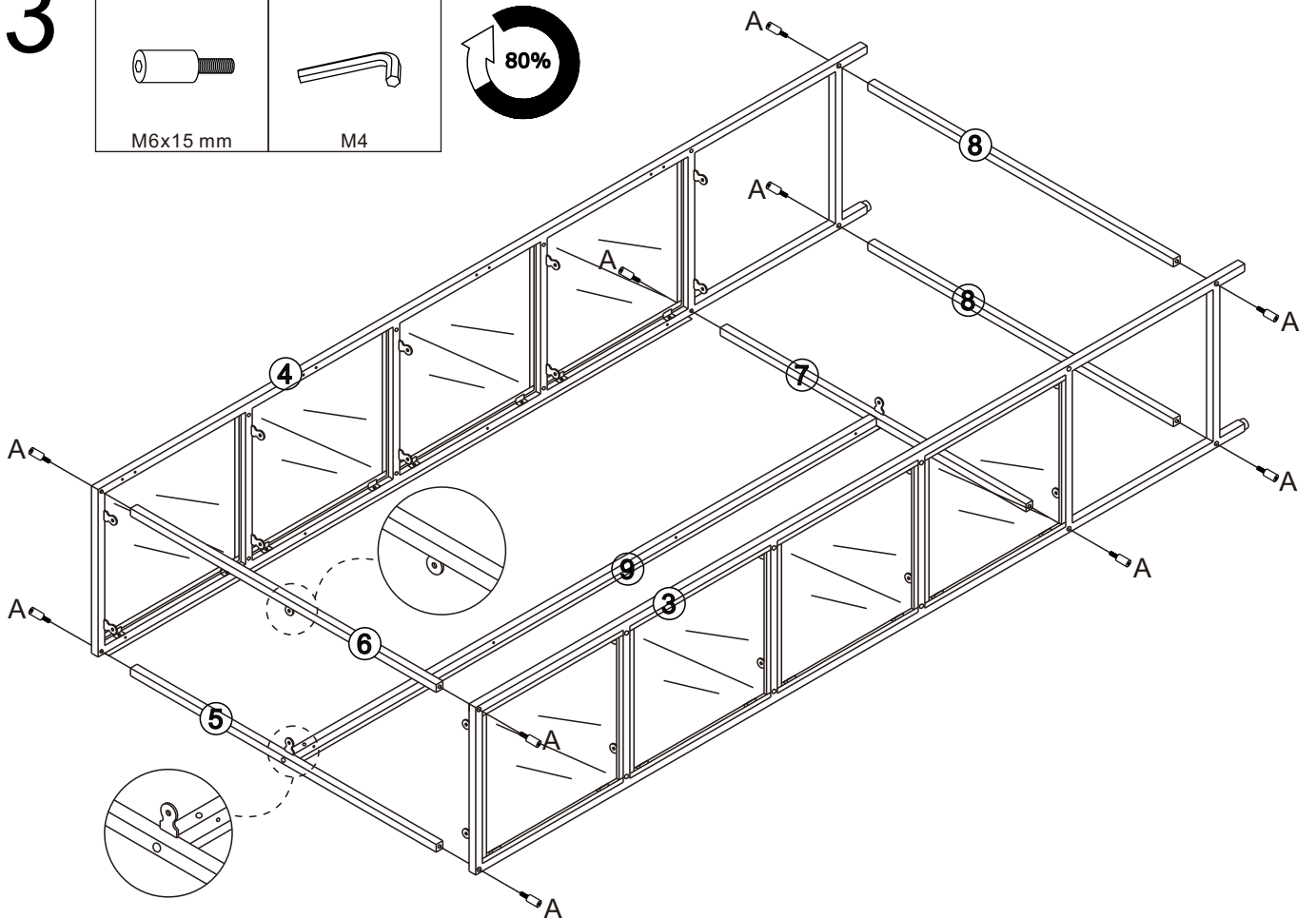
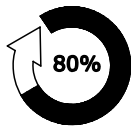
# 2

A x 2	G x 1
	
M6x15 mm	M4


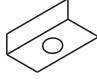


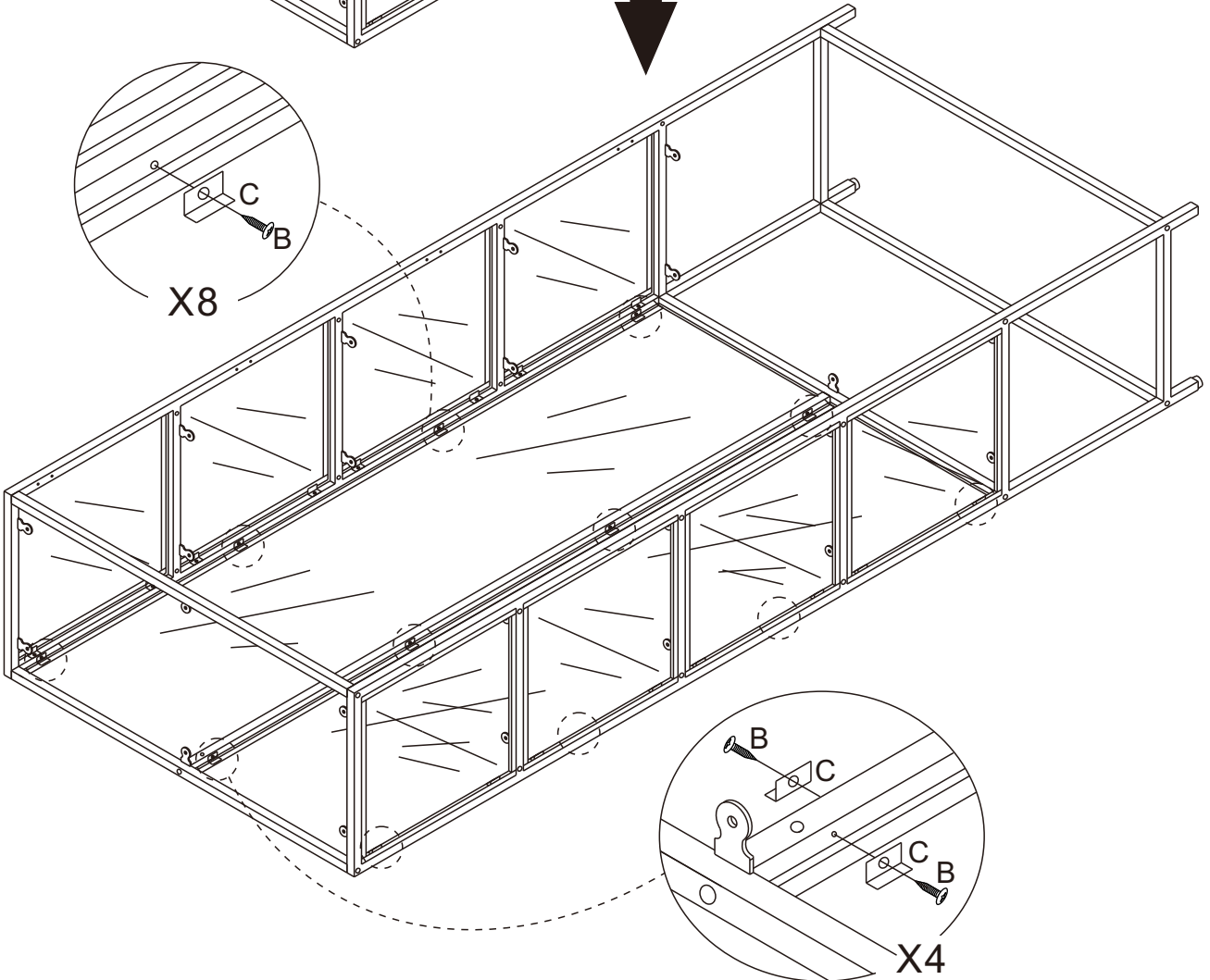
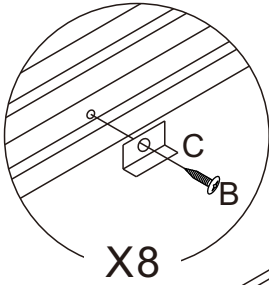
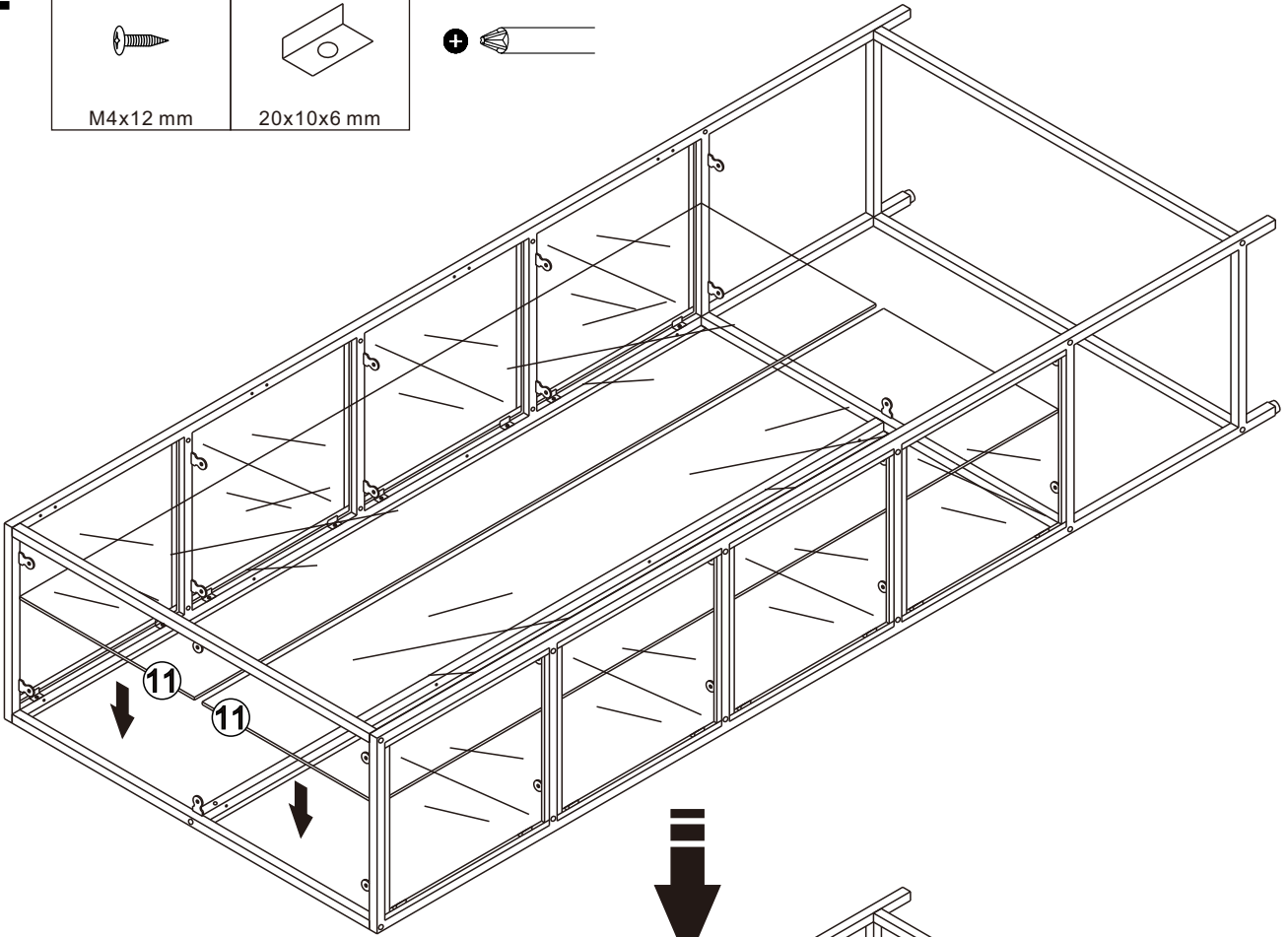
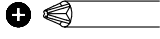
# 3

A x 10	G x 1
	
M6x15 mm	M4

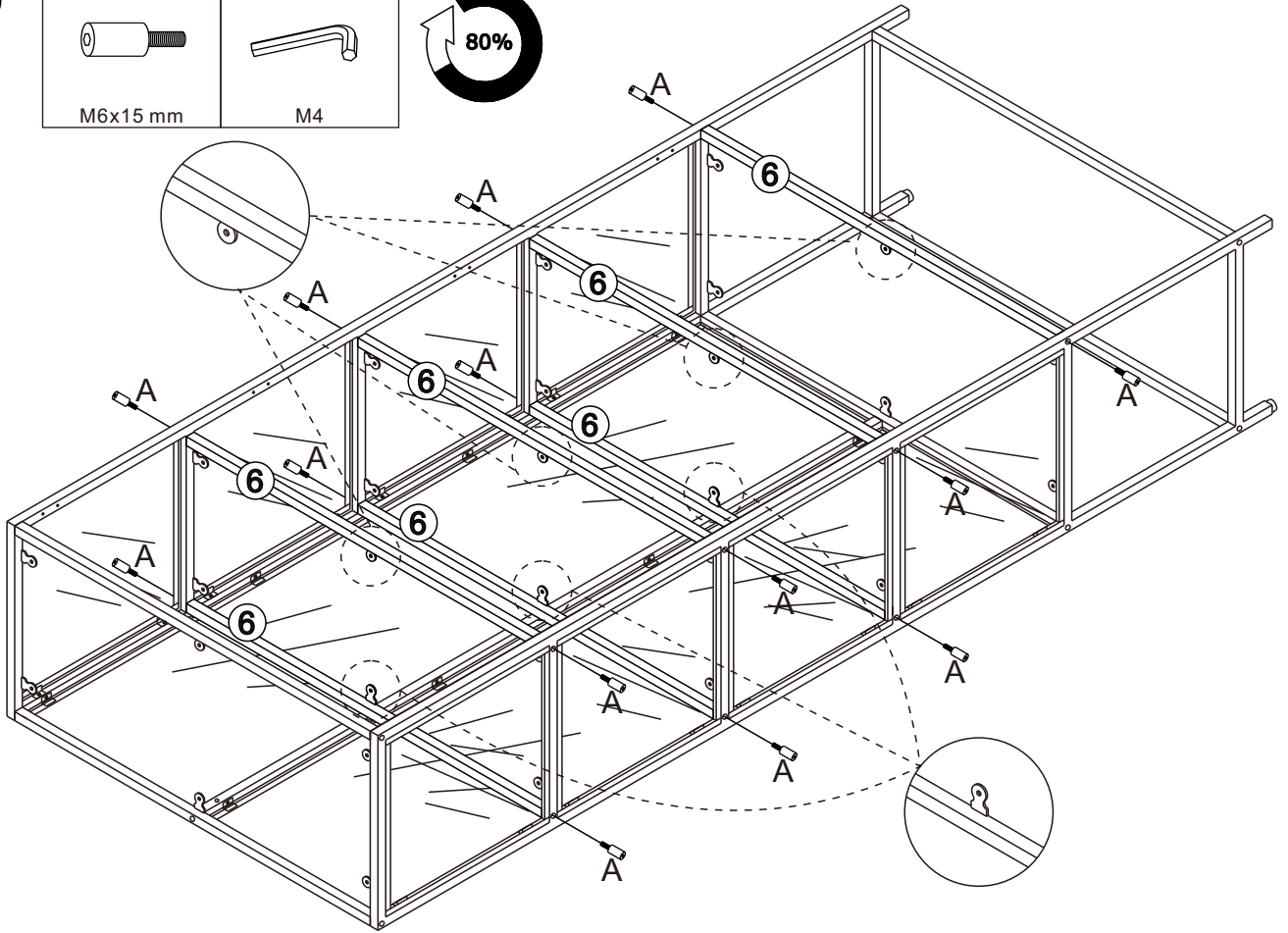
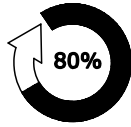
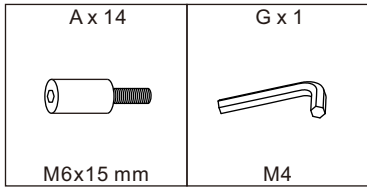


4

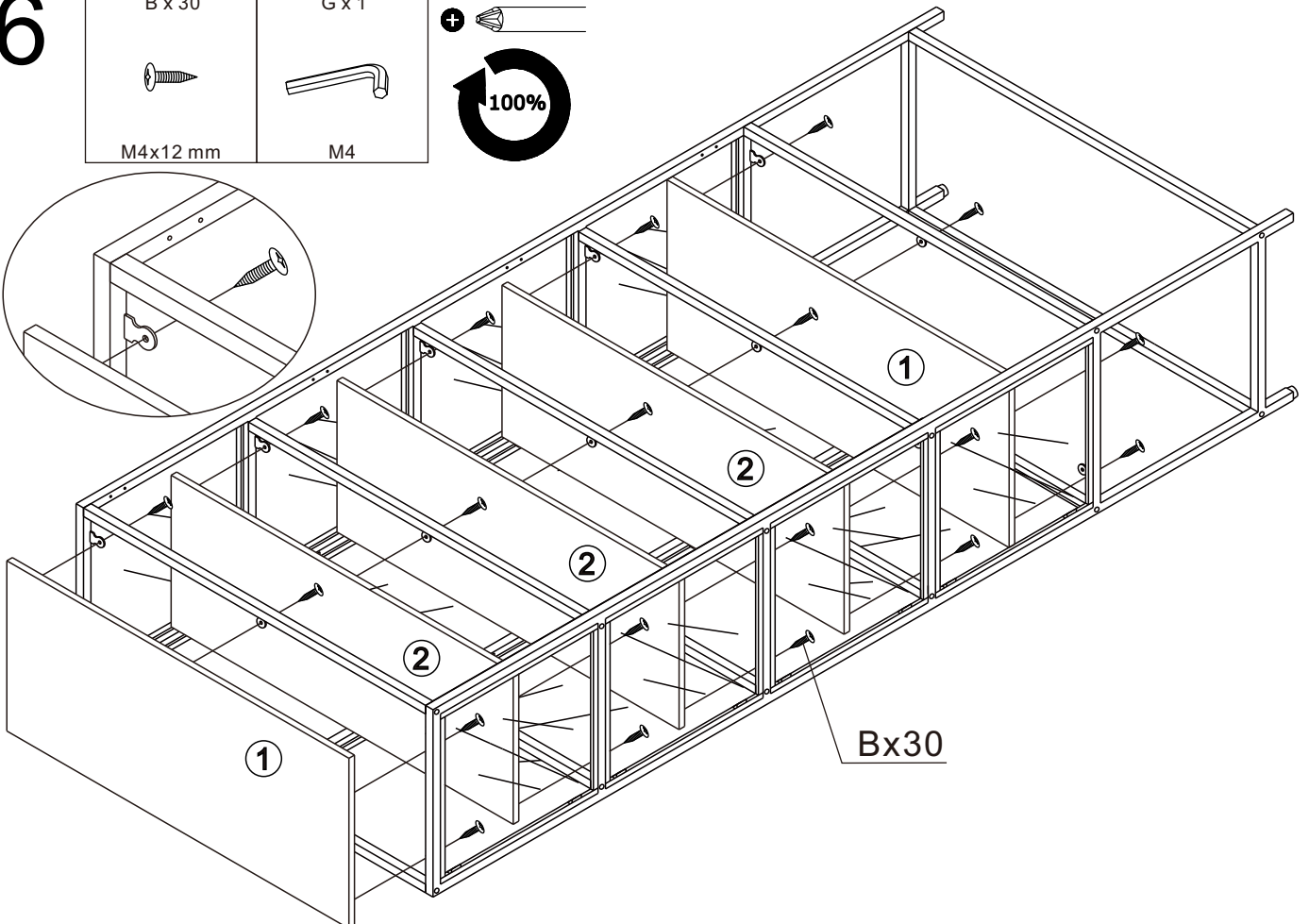
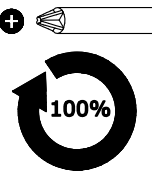
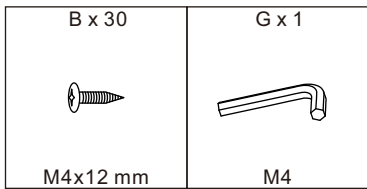
B x 16  M4x12 mm	C x 16  20x10x6 mm
---	---








# 5

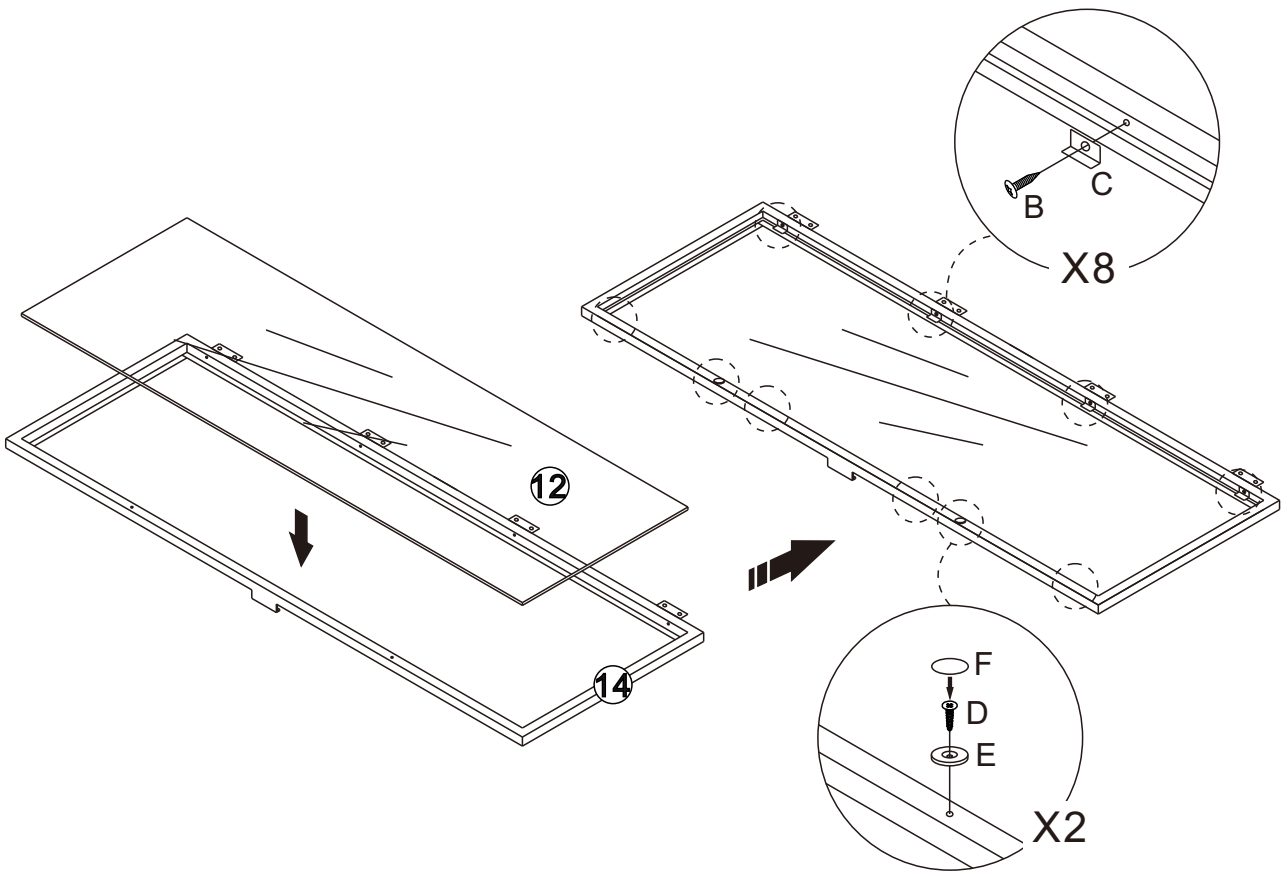
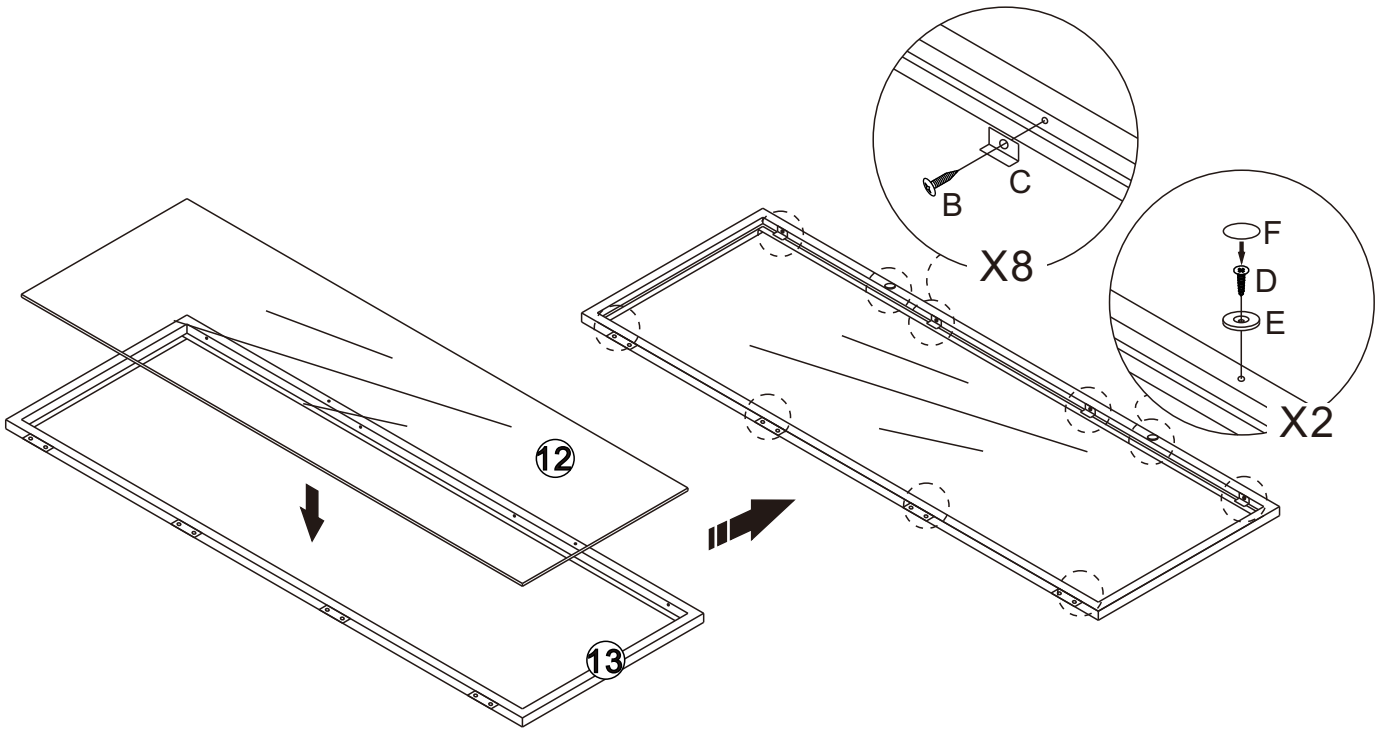
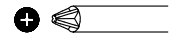


# 6

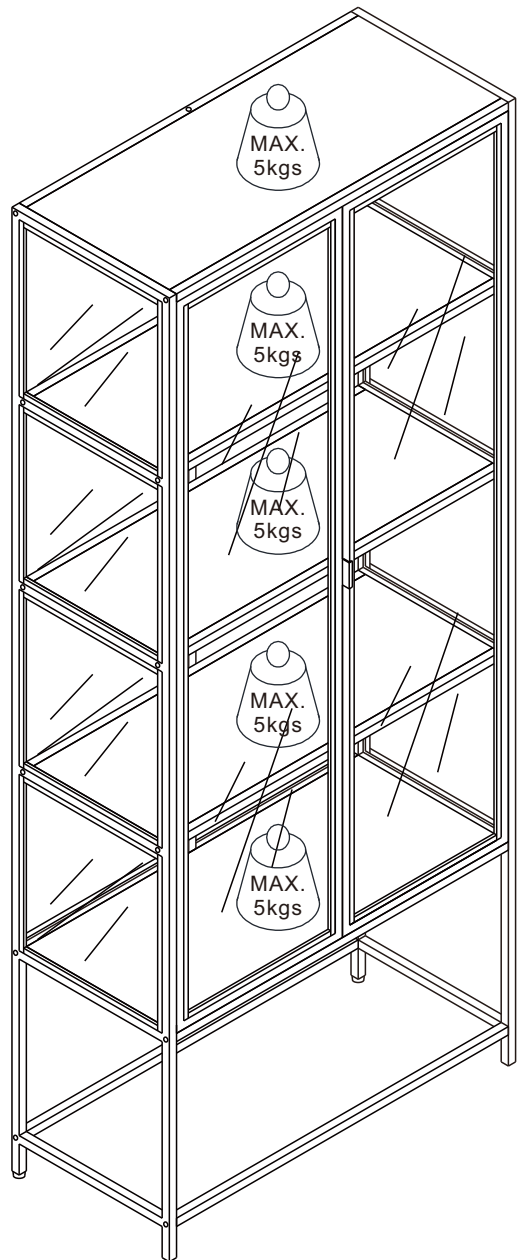
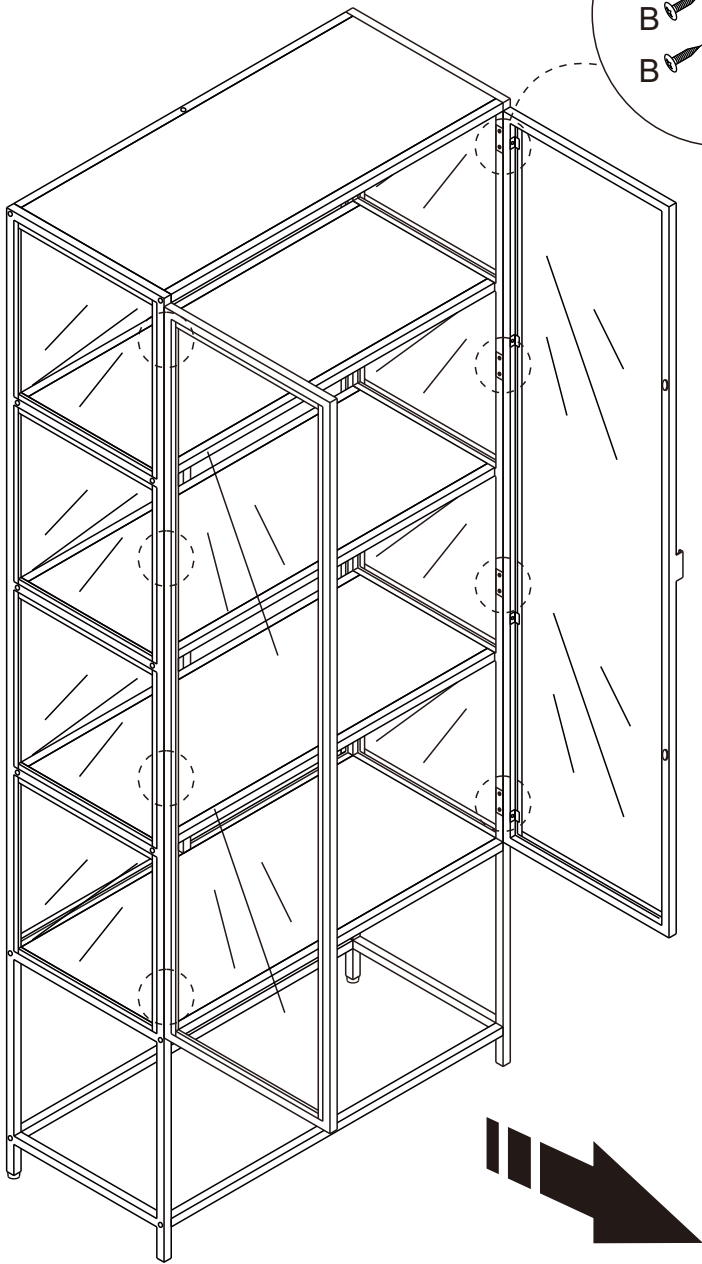
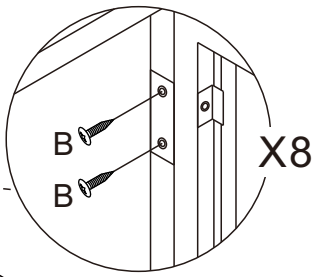
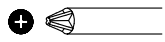
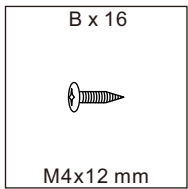


# 7

B x 16  M4x12 mm	C x 16  20x10x6 mm	D x 4  M3.5x12 mm	E x 4  Ø15	F x 4  Ø15
---	---	--	---	--



8



9

