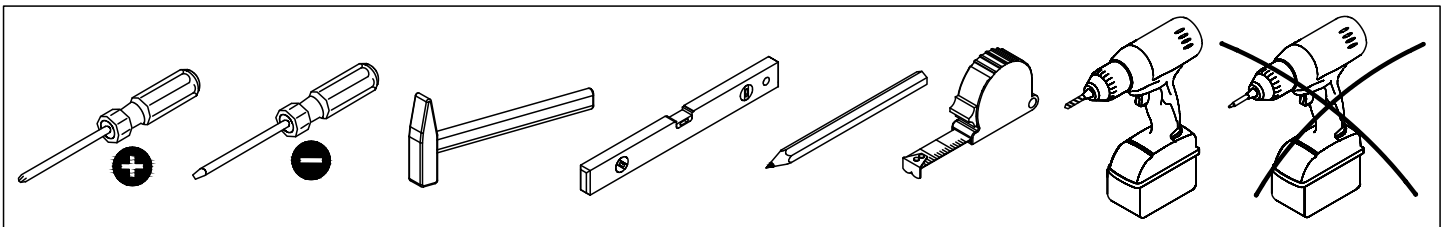
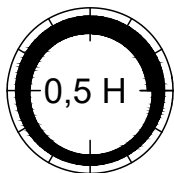
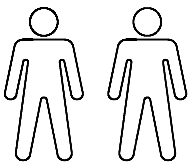
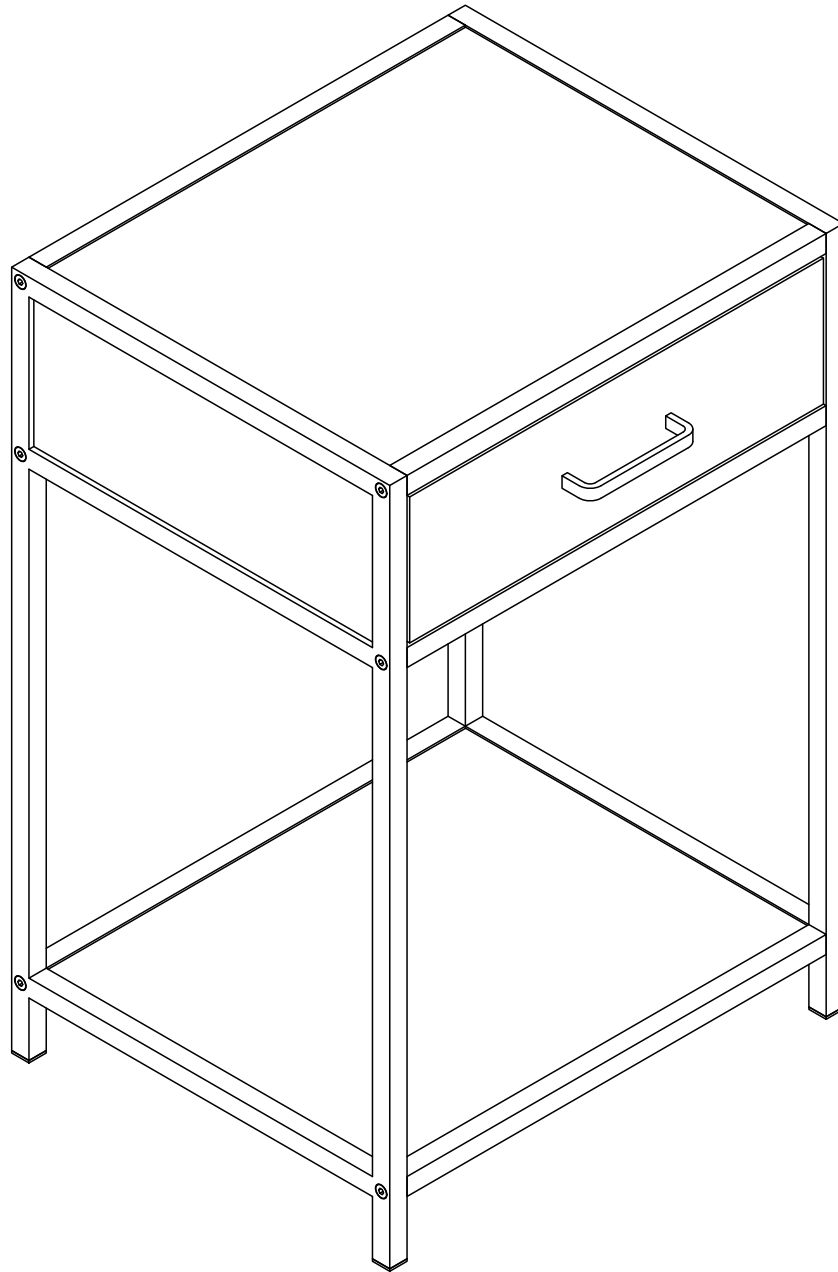
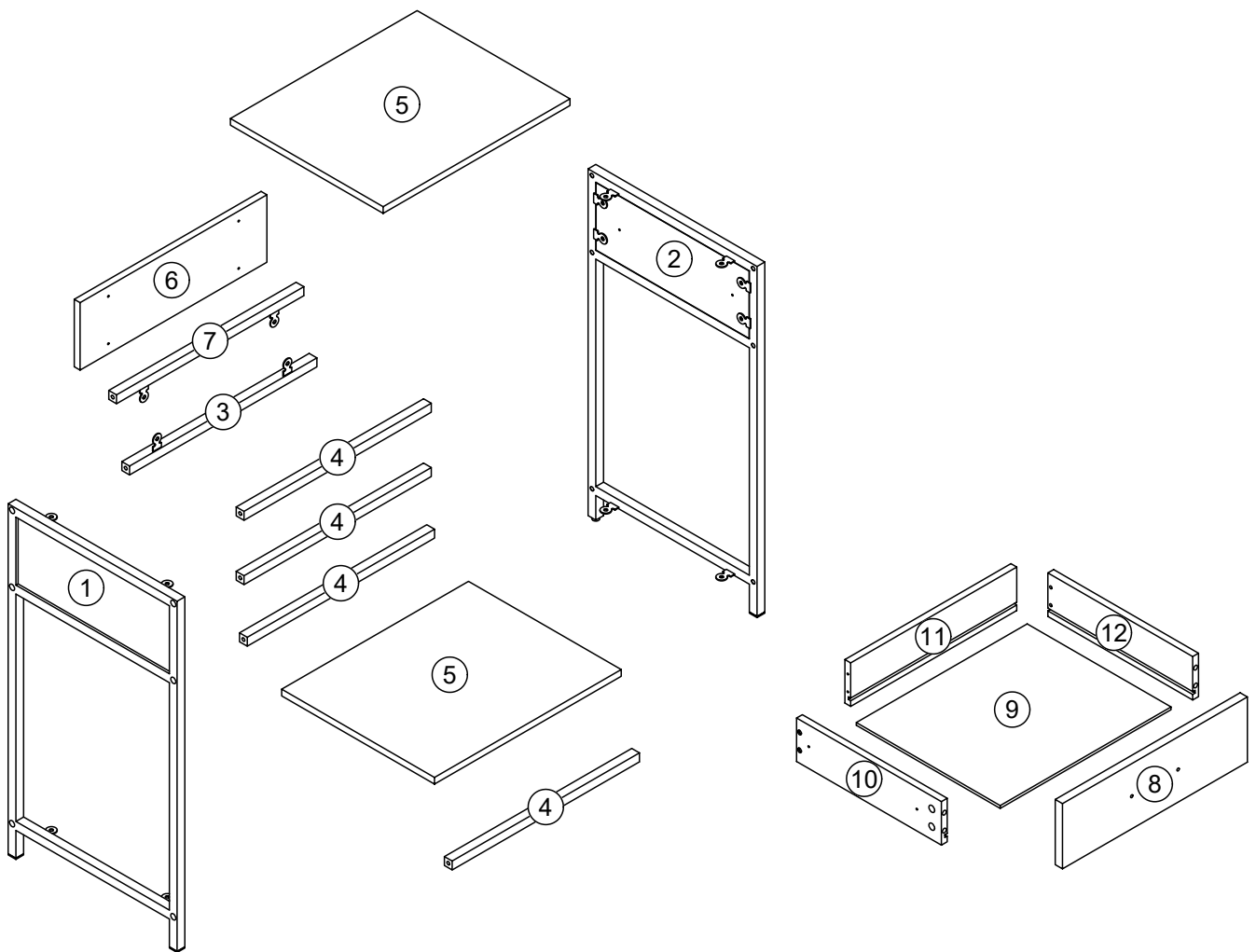


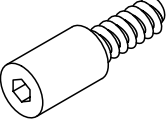
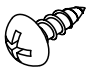
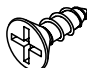
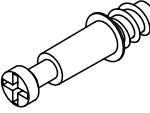
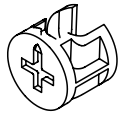
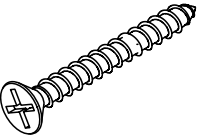
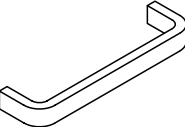
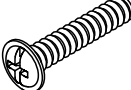
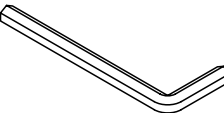
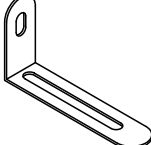
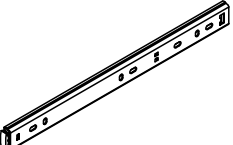
SEAFORD



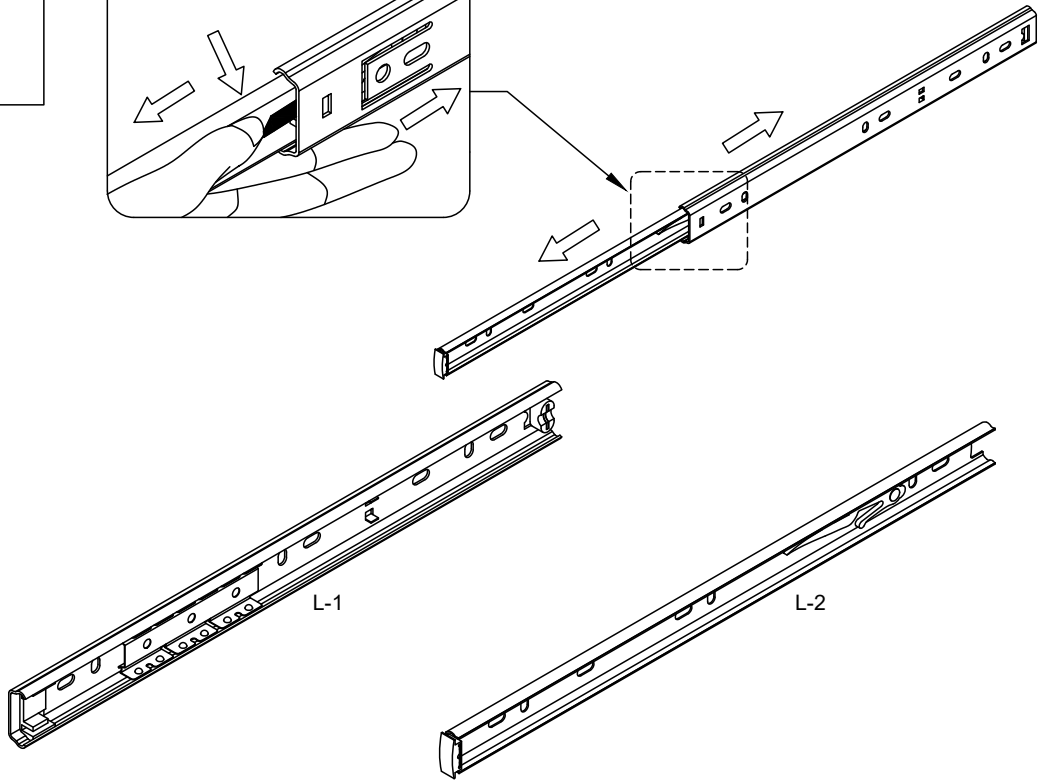
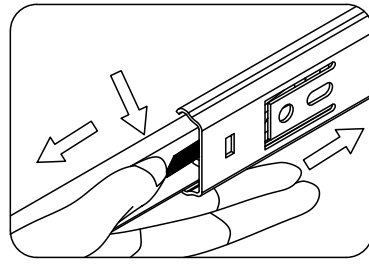
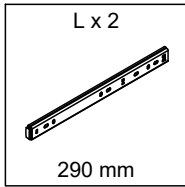
			✓
①	1	630x350x43	
②	1	630x350x43	
③	1	388x16x43	
④	4	388x16x16	
⑤	2	387x316.5x12	
⑥	1	387x121x12	

			✓
⑦	1	388x16x43	
⑧	1	383x117x15	
⑨	1	352x296x4	
⑩	1	300x78x12	
⑪	1	344x78x12	
⑫	1	300x78x12	

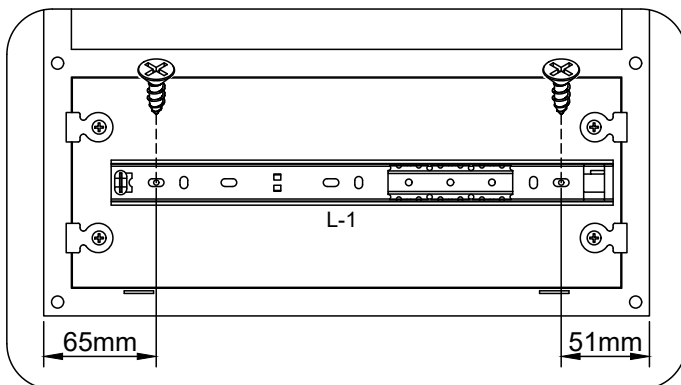
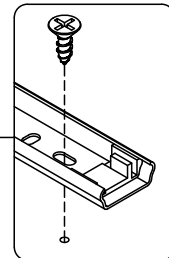
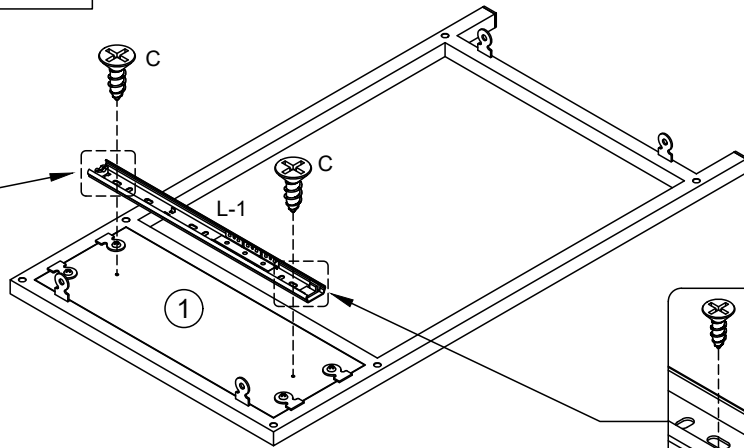
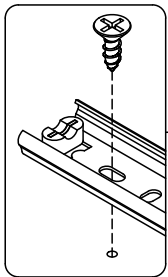
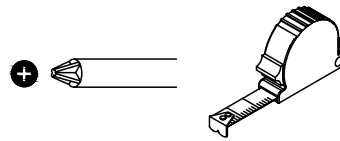
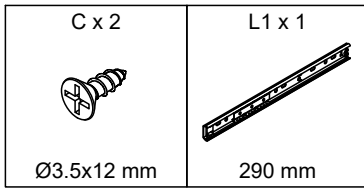


<p>A x 12</p>  <p>M6x15 mm</p>	<p>B x 13</p>  <p>Ø4x12 mm</p>	<p>C x 8</p>  <p>Ø3.5x12 mm</p>	<p>D x 4</p>  <p>Ø6x27 mm</p>	<p>E x 4</p>  <p>Ø12 mm</p>
<p>F x 4</p>  <p>Ø4x35 mm</p>	<p>G x 1</p>  <p>101x25x10 mm</p>	<p>H x 2</p>  <p>M4x18 mm</p>	<p>J x 1</p>  <p>4 mm</p>	<p>K x 1</p>  <p>75x25x15 mm</p>
<p>L x 2</p>  <p>290 mm</p>				



1

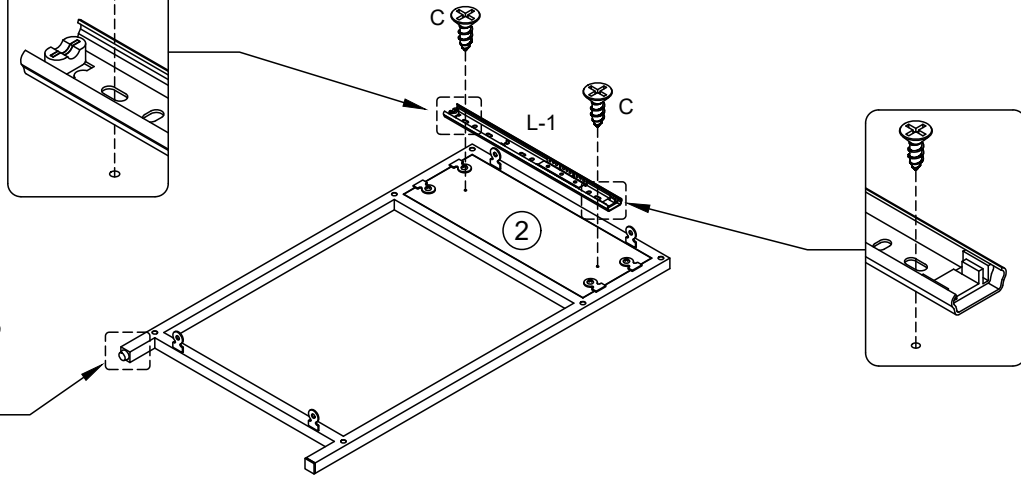
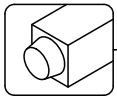
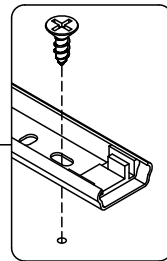
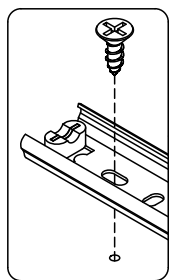
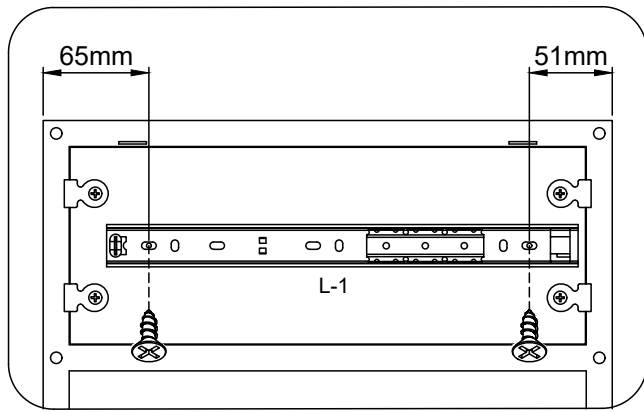
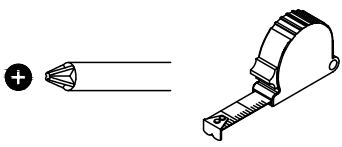


2

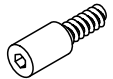



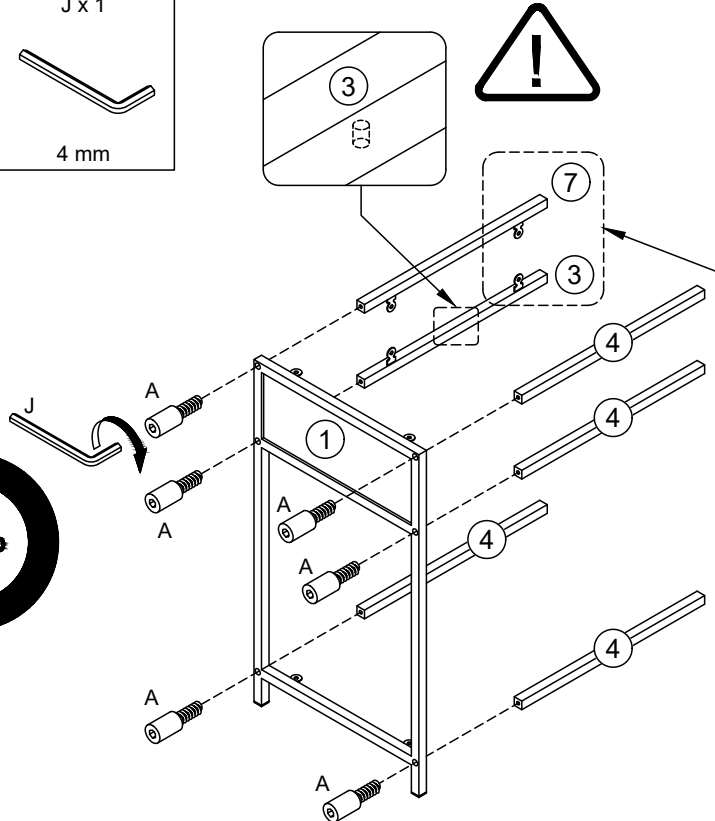
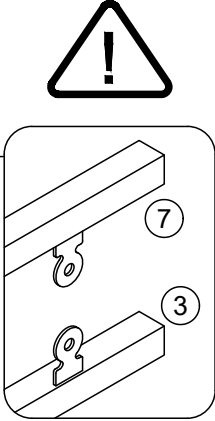
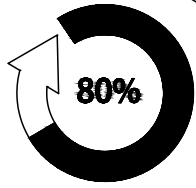
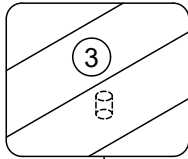
3

C x 2  Ø3.5x12 mm	L1 x 1  290 mm
--	---

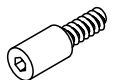



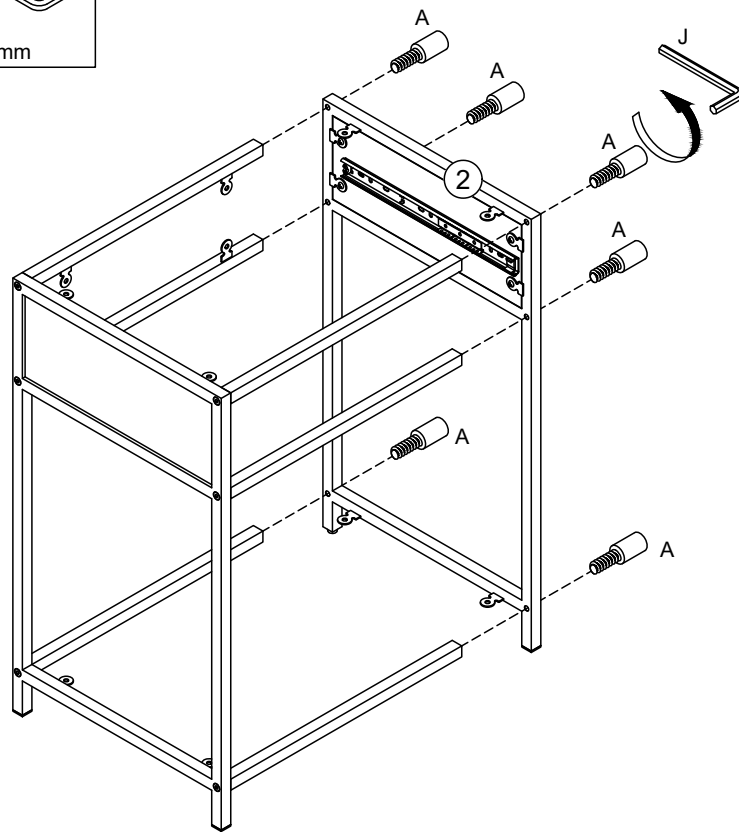
4

A x 6  M6x15 mm	J x 1  4 mm
--	--

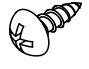


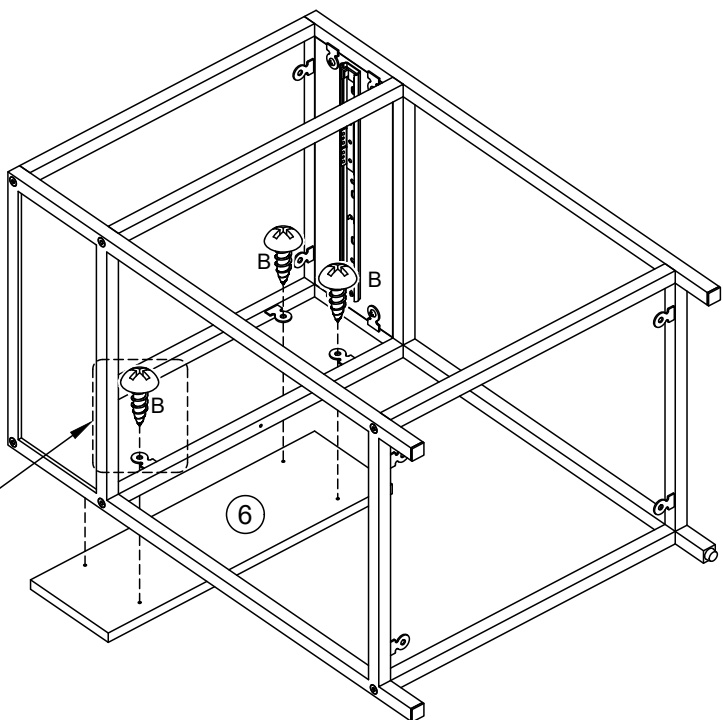
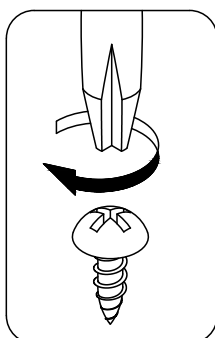
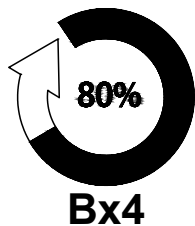
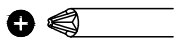
5

A x 6	J x 1
	
M6x15 mm	4 mm

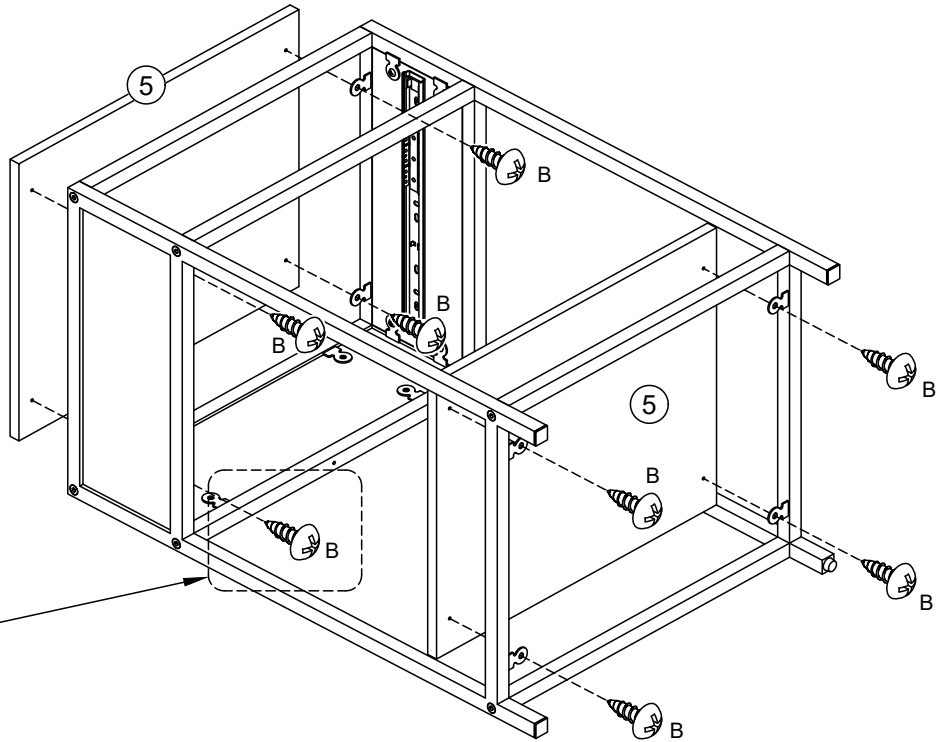
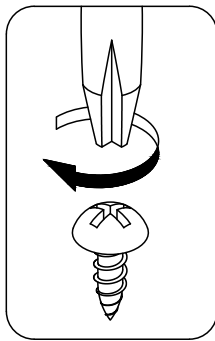
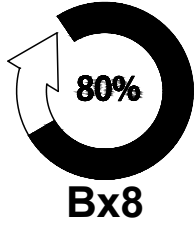
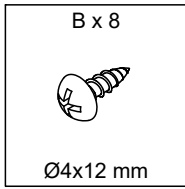


6

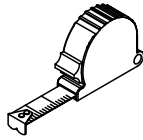
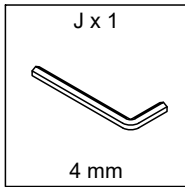
B x 4

Ø4x12 mm



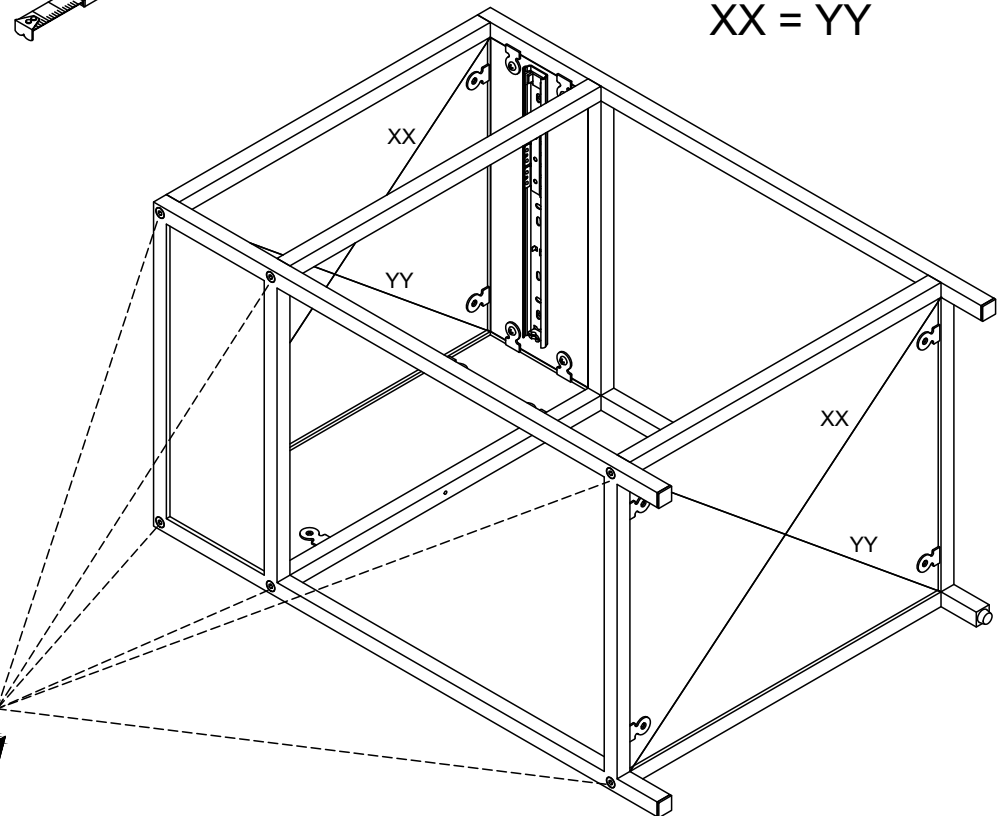
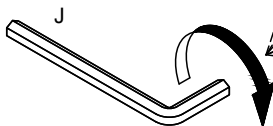
7



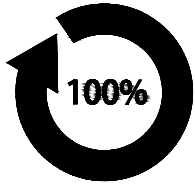
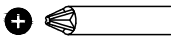
8



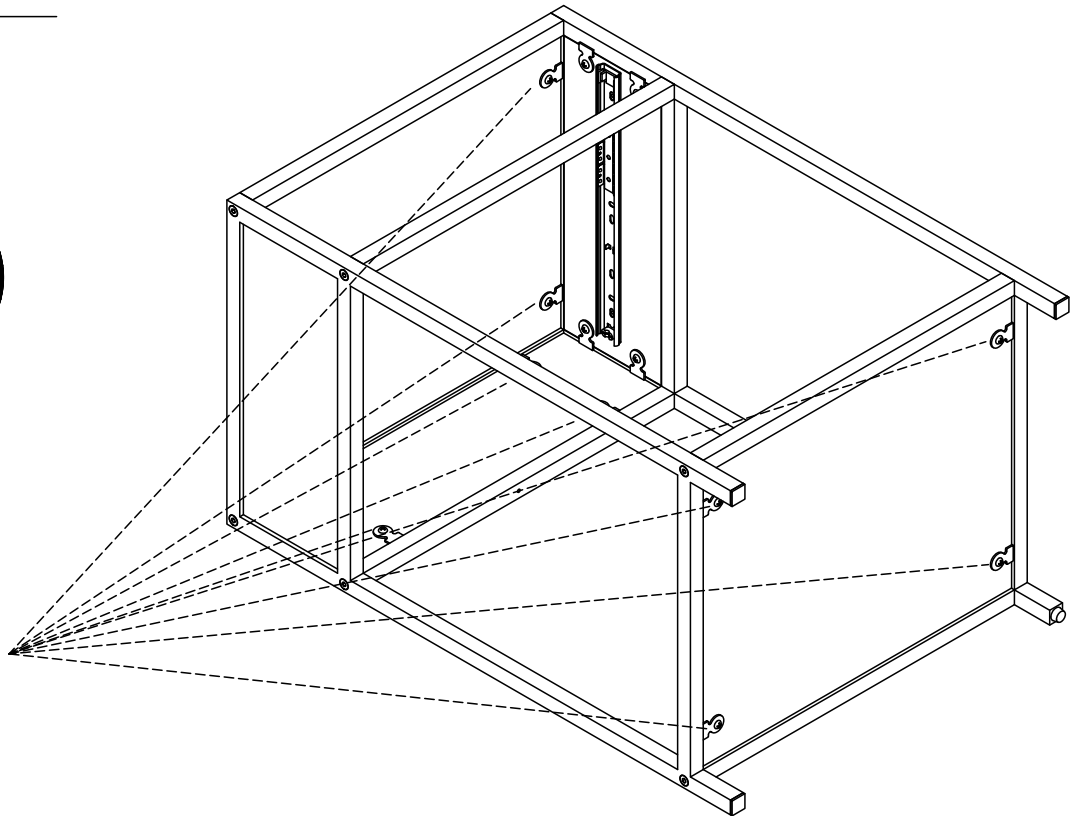
XX = YY



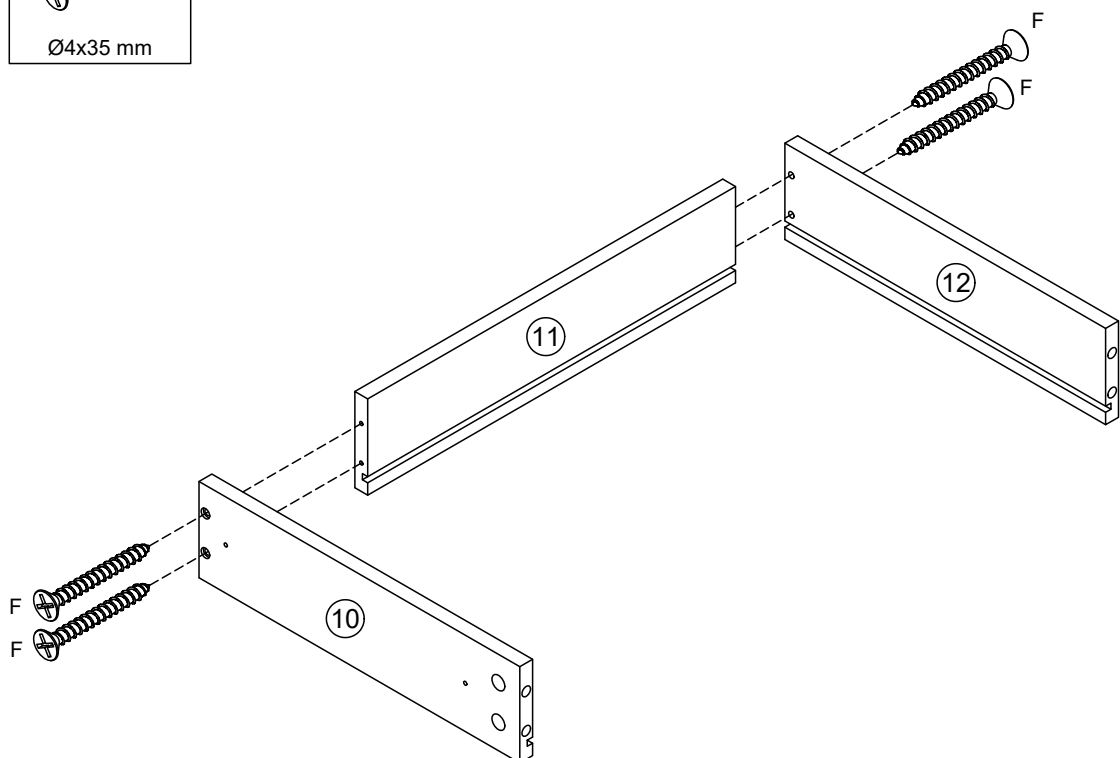
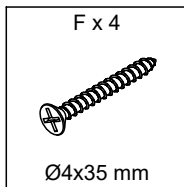
9



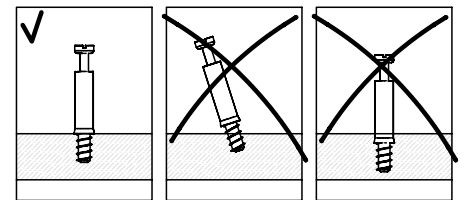
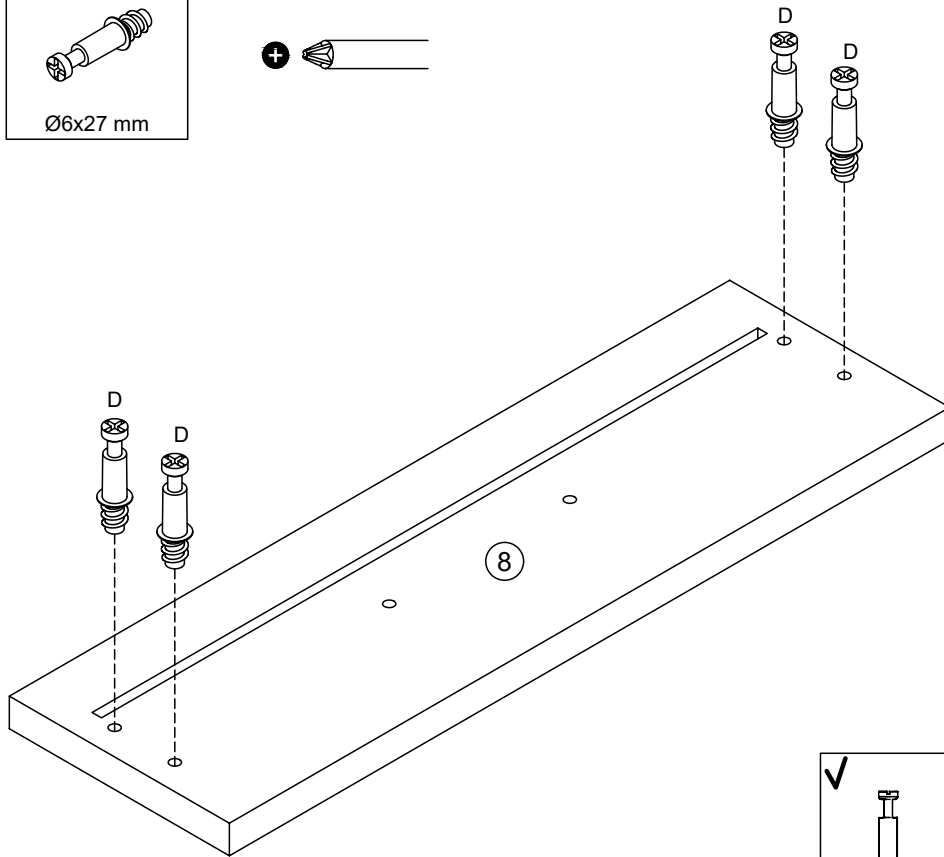
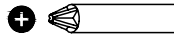
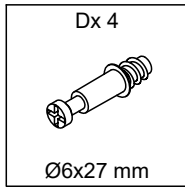
Bx12



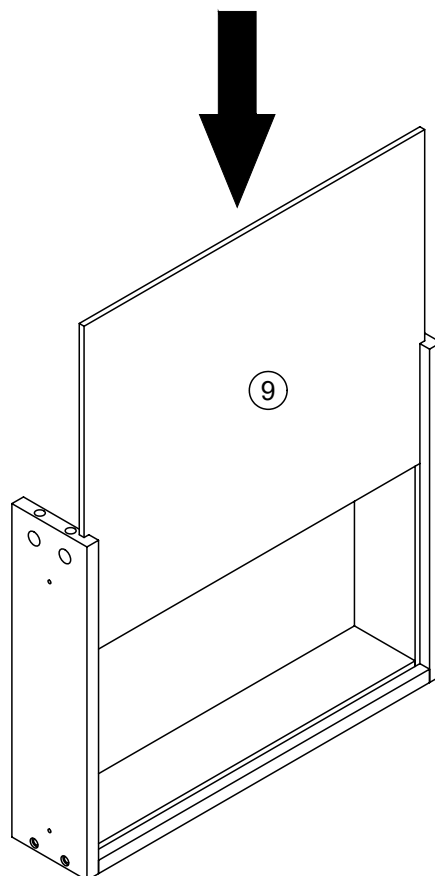
10



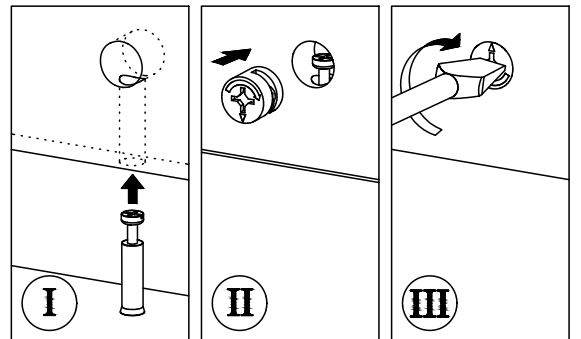
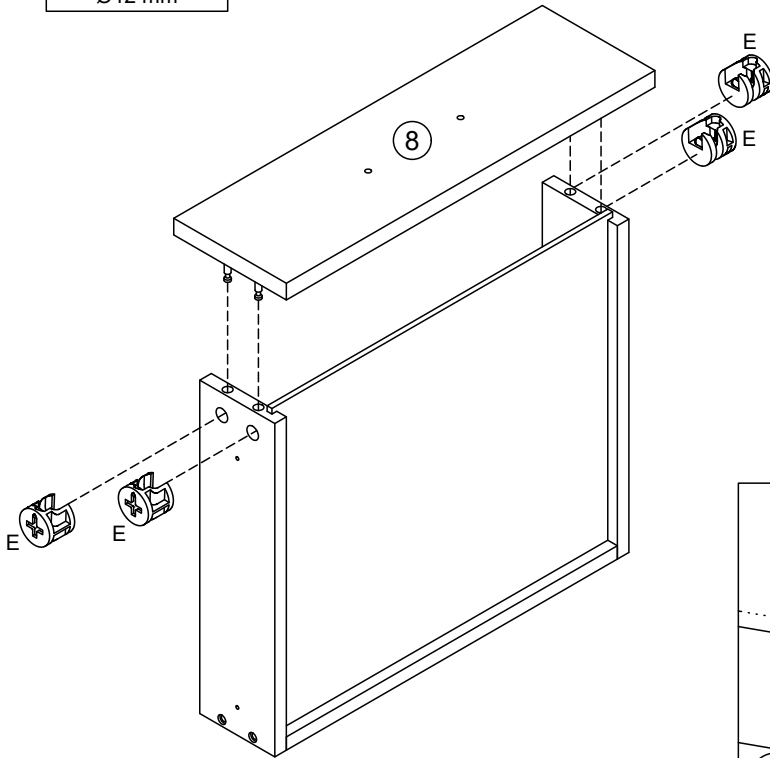
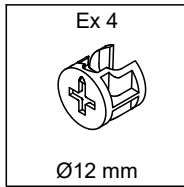
11



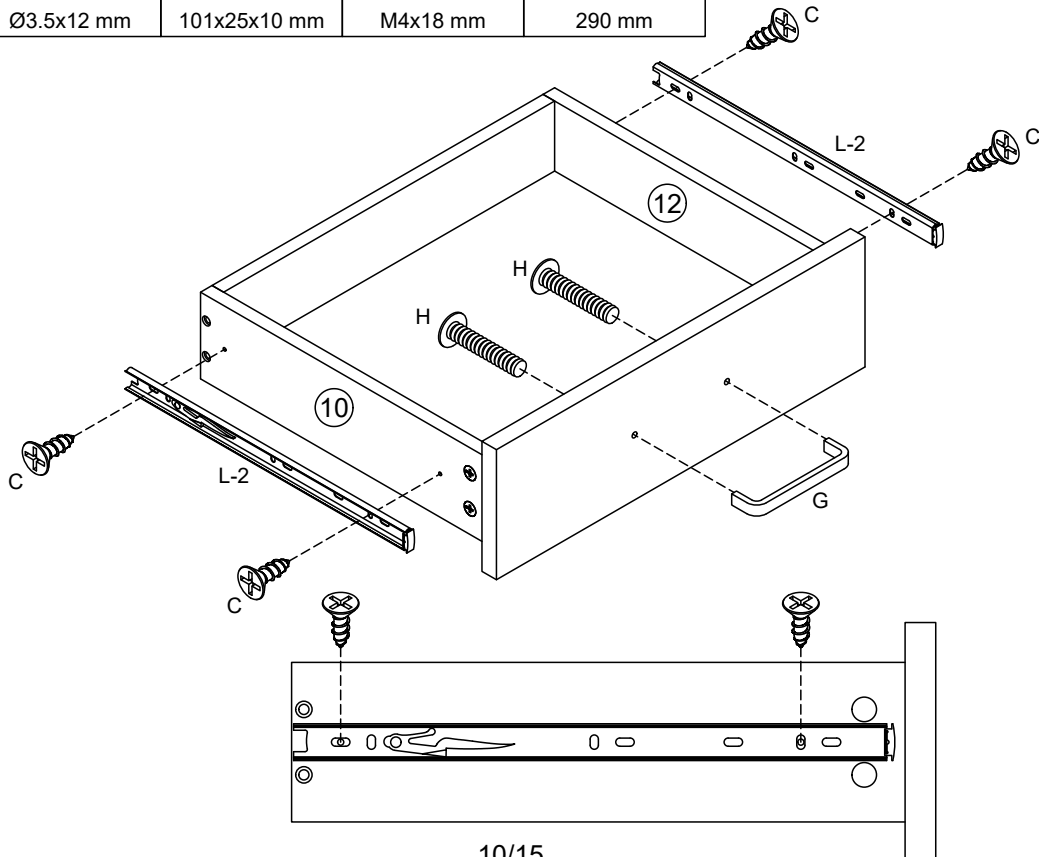
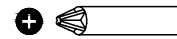
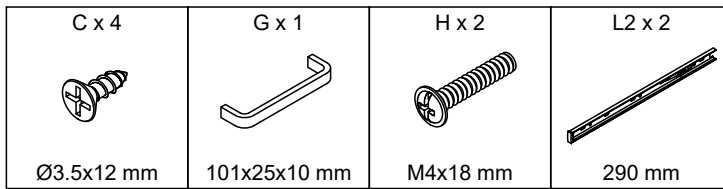
12



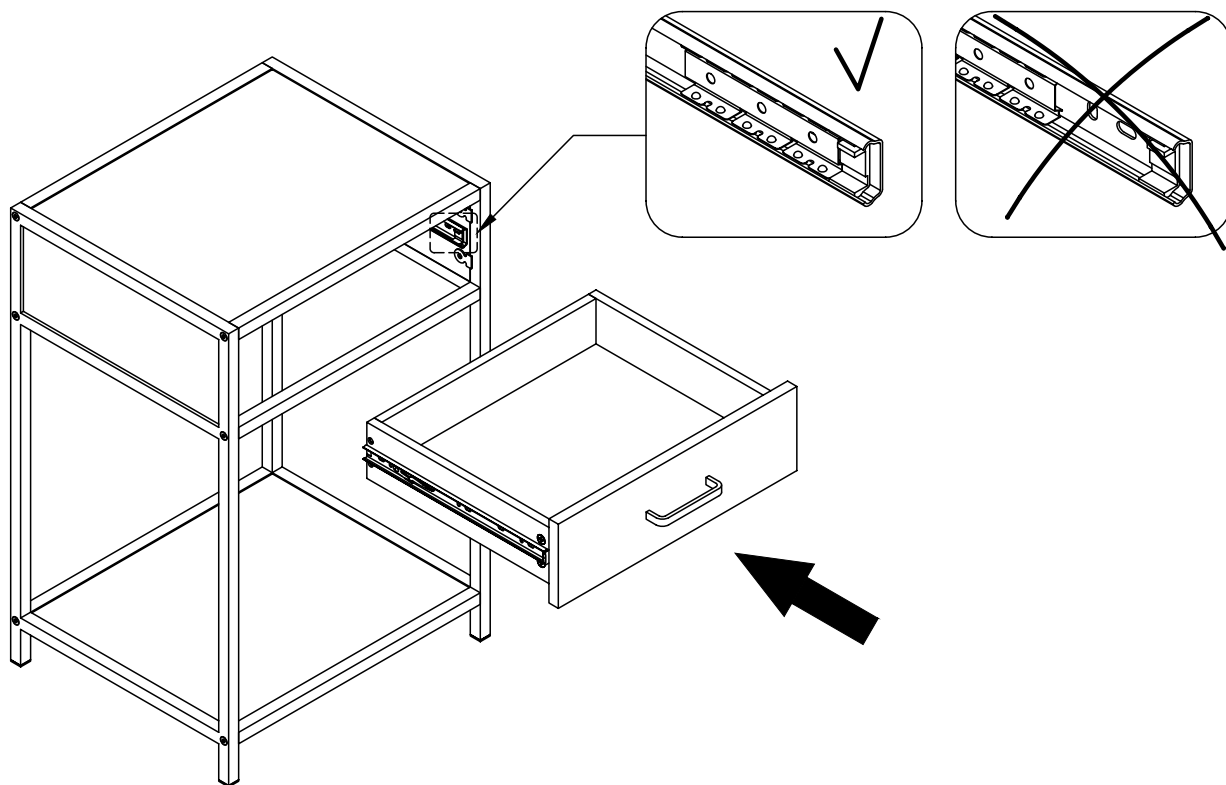
13



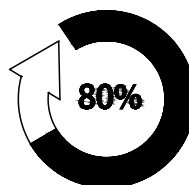
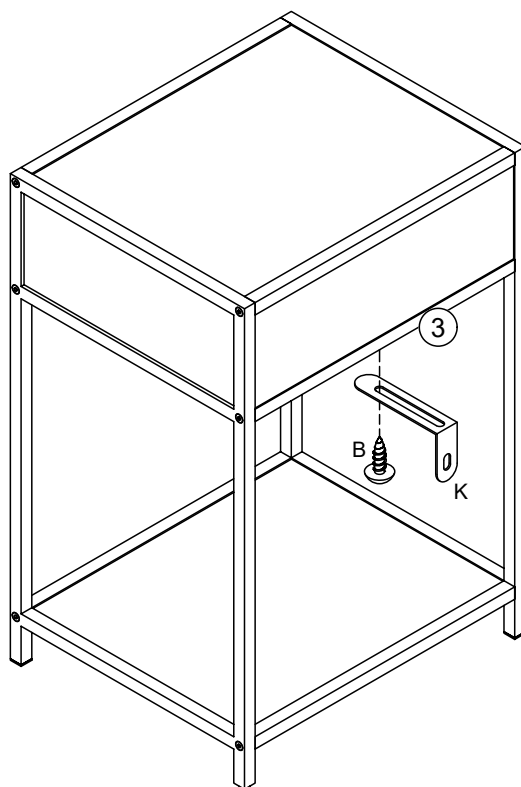
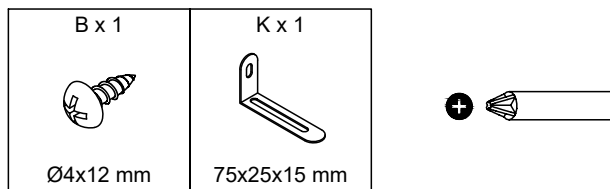
14



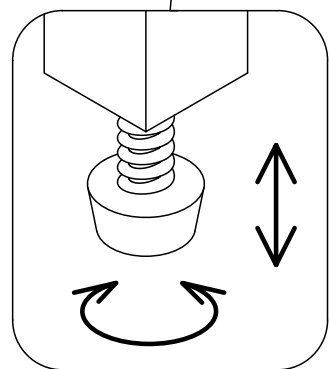
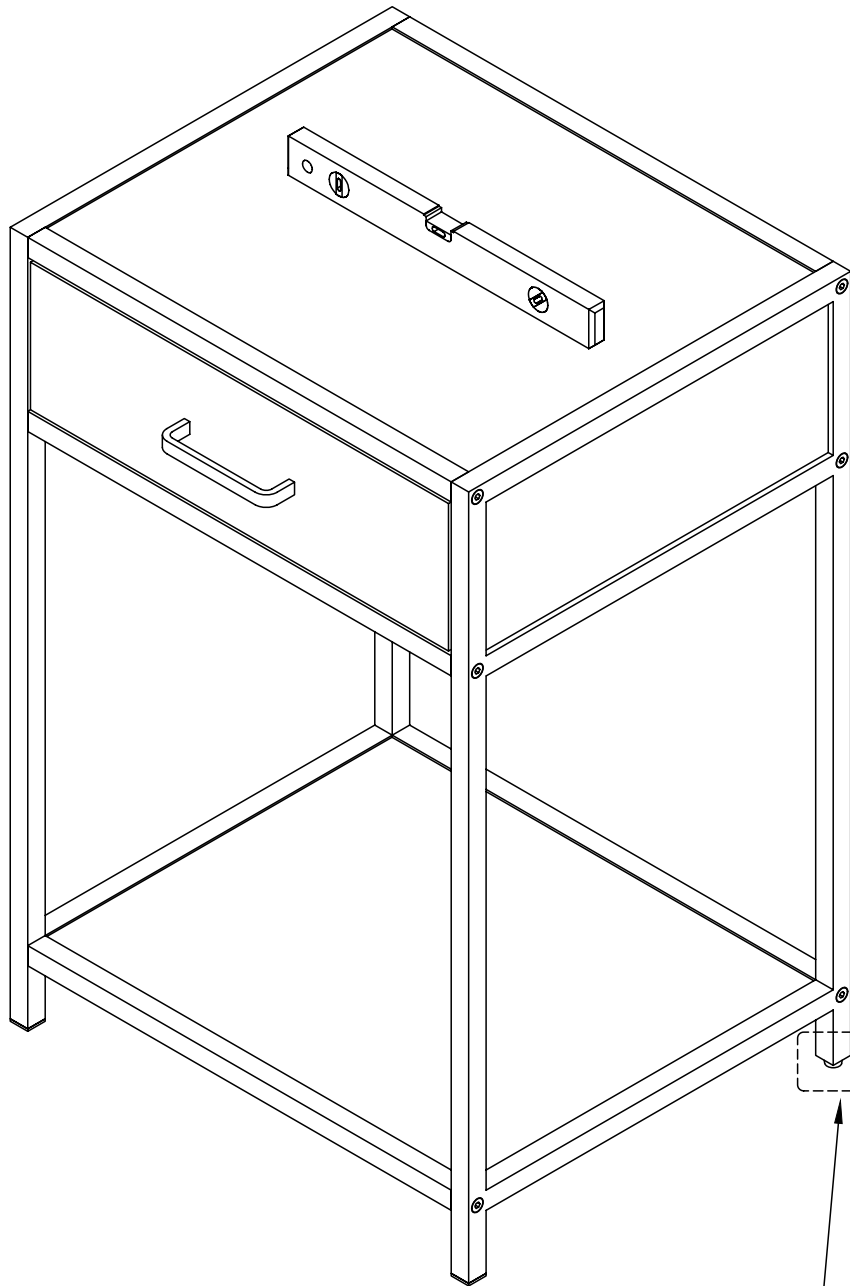
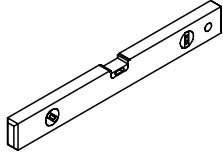
15



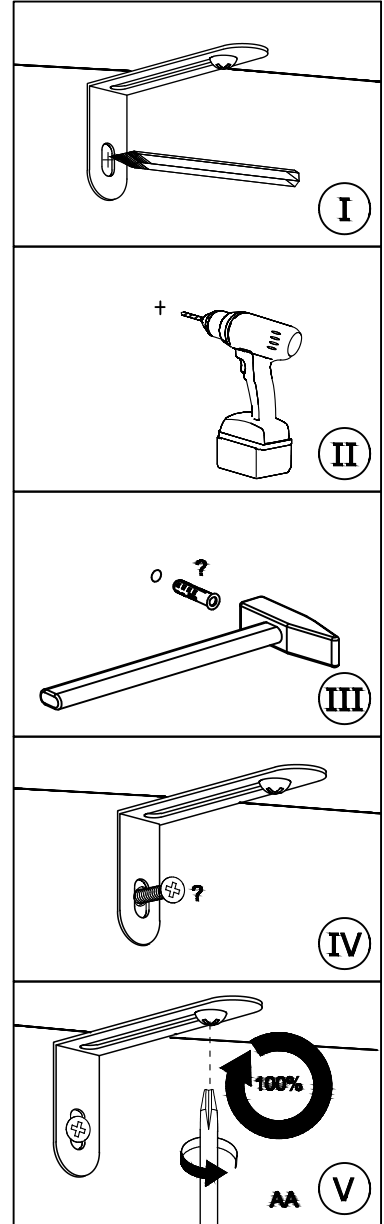
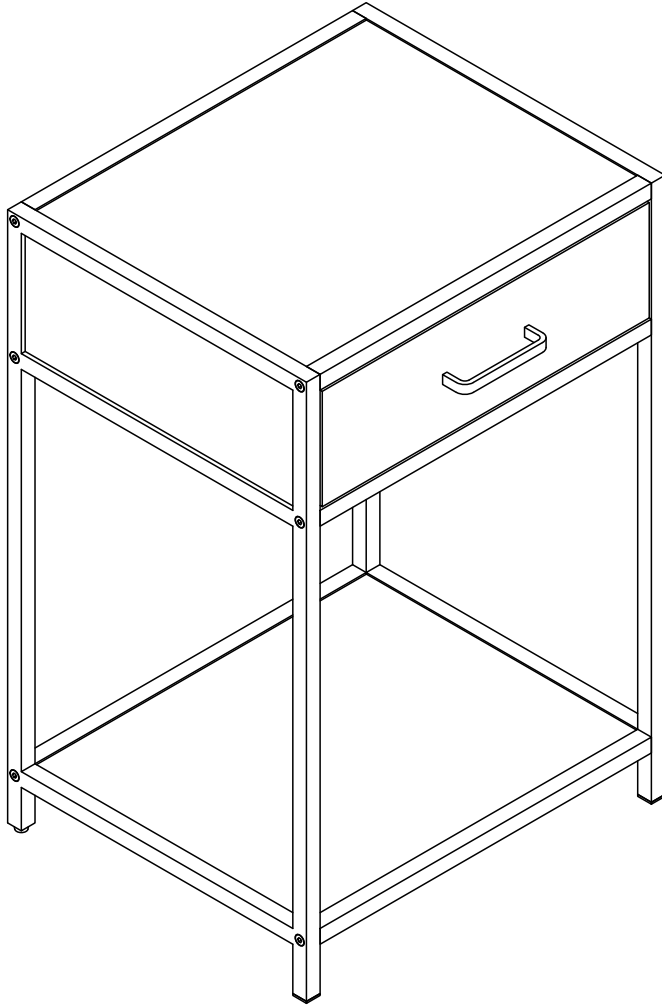
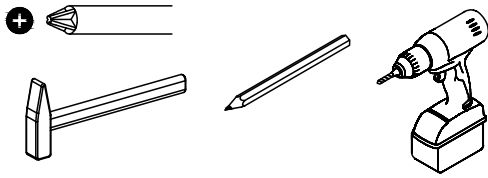
16



17



18



19

