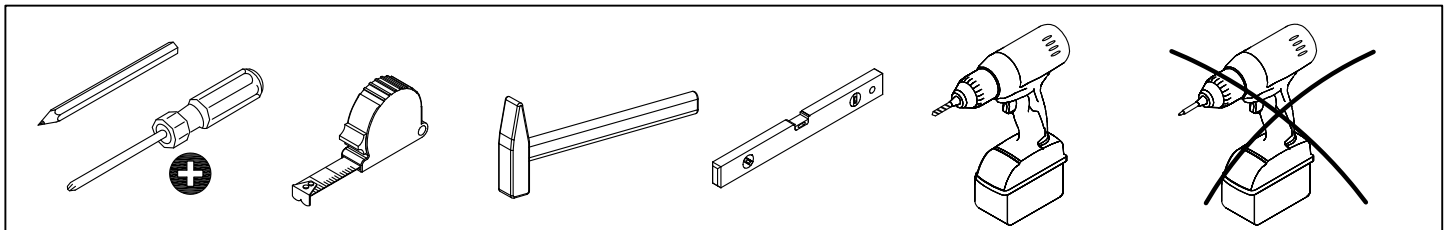
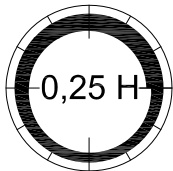
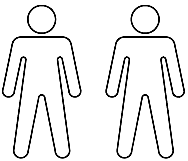
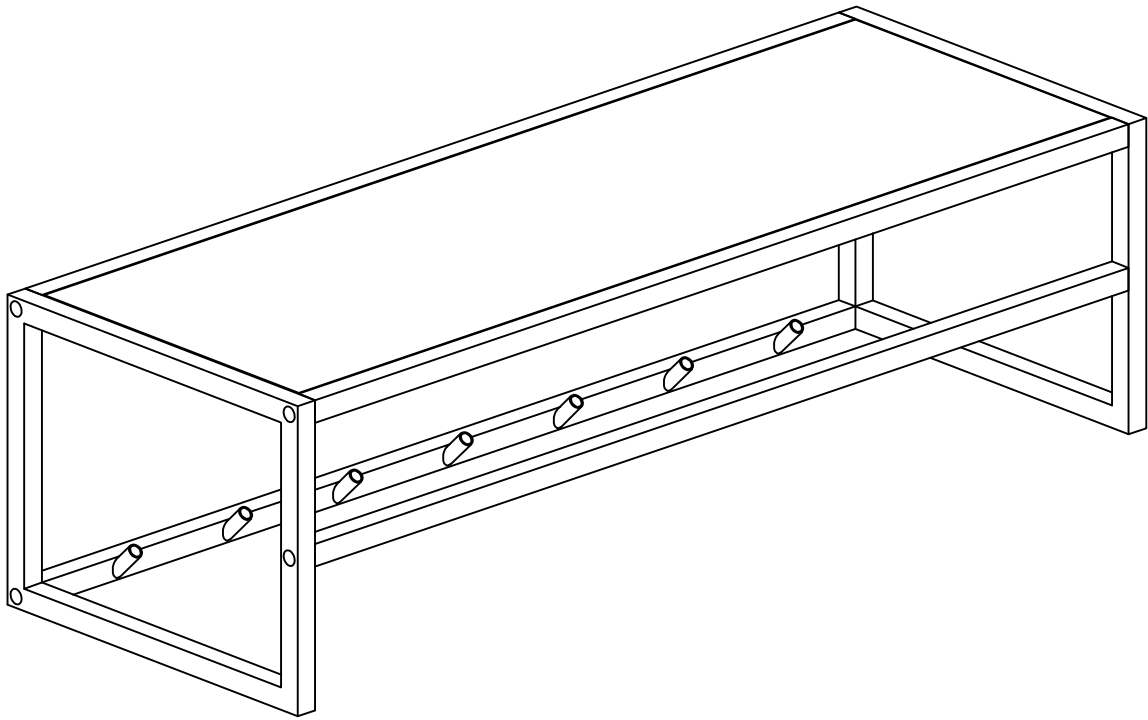
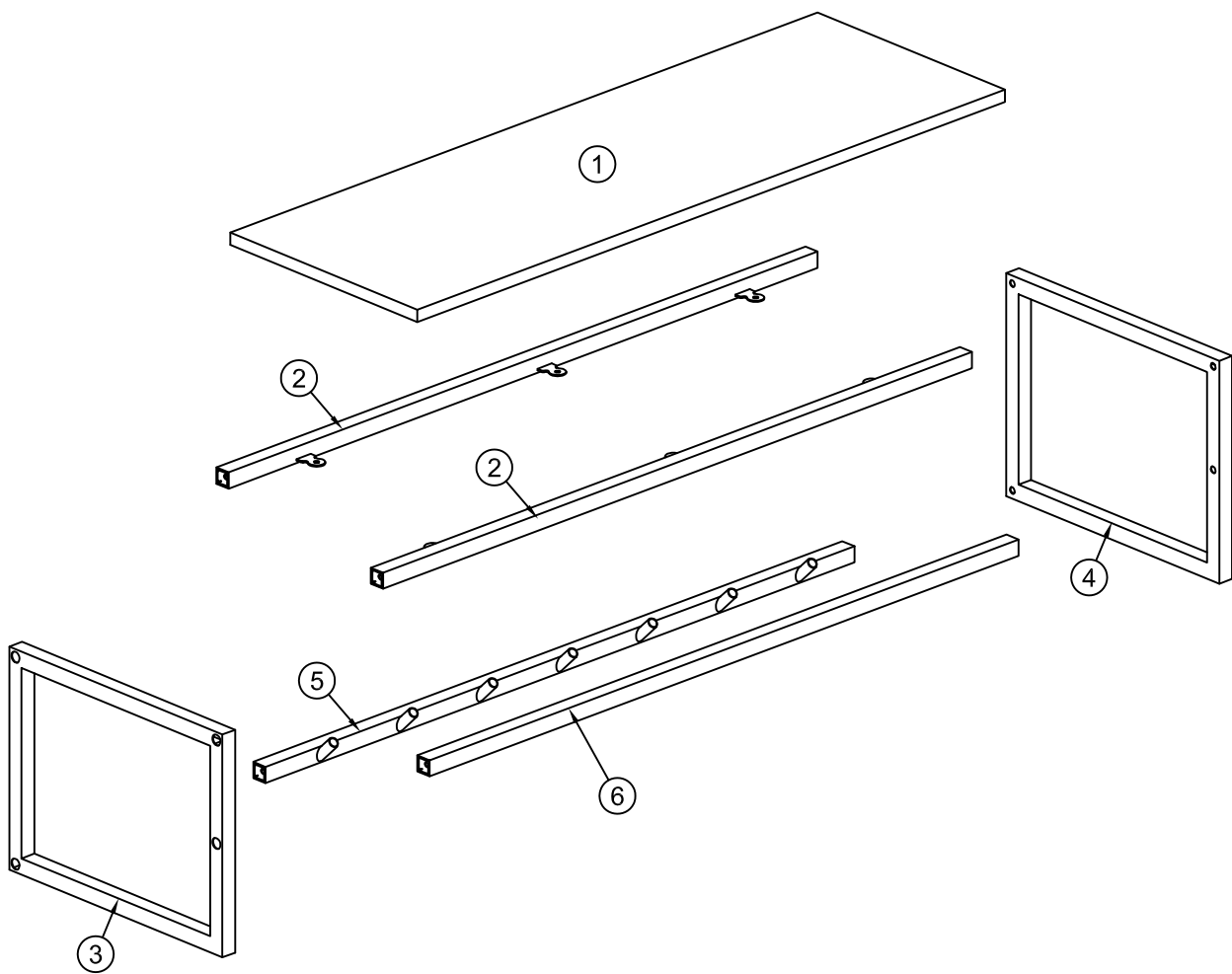


# SEAFORD





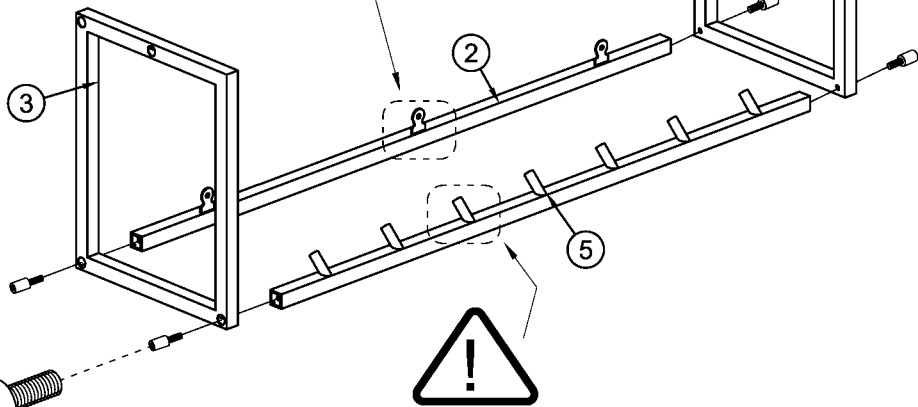
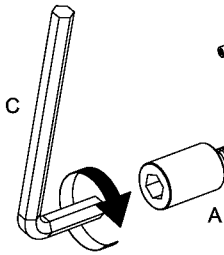
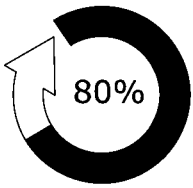
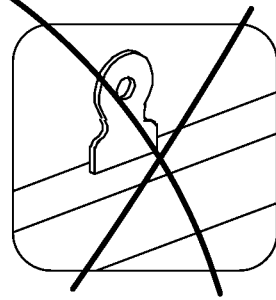
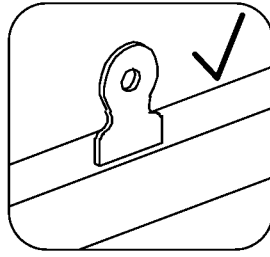
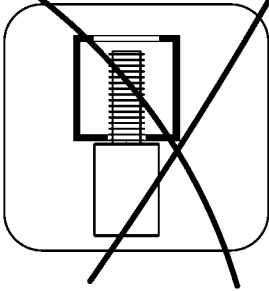
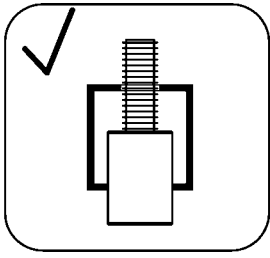
			✓
①	1	737x246x12	
②	2	738x36x16	
③	1	280x220x16	
④	1	280x220x16	
⑤	1	738x40x30	
⑥	1	738x16x16	





A x 8	B x 6	C x 1
M6x16 mm	Ø4x12 mm	4 mm

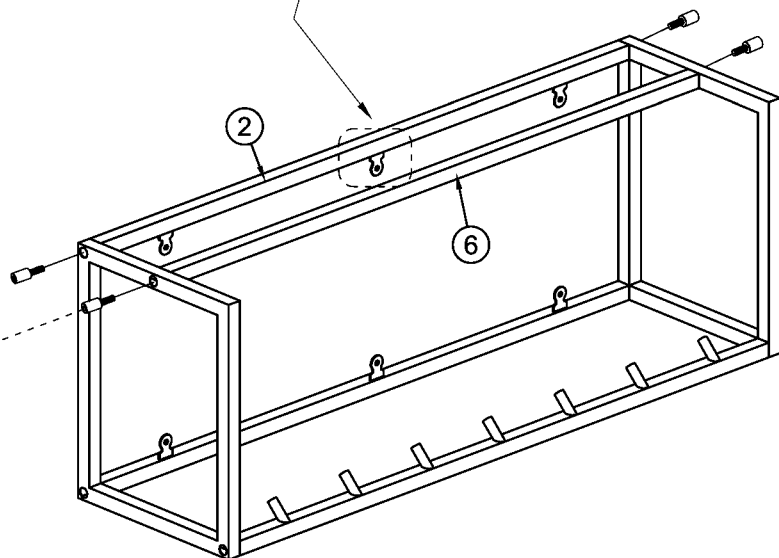
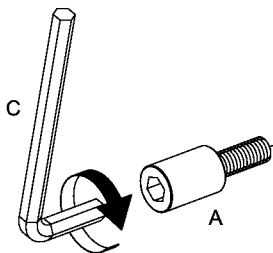
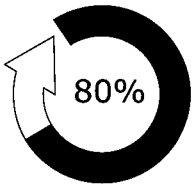
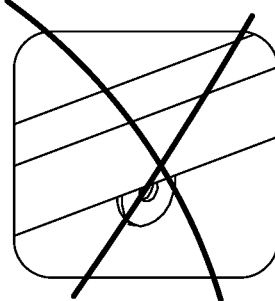
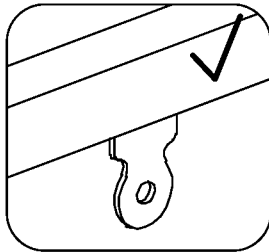
1

A x 4	C x 1
	
M6x16 mm	4 mm

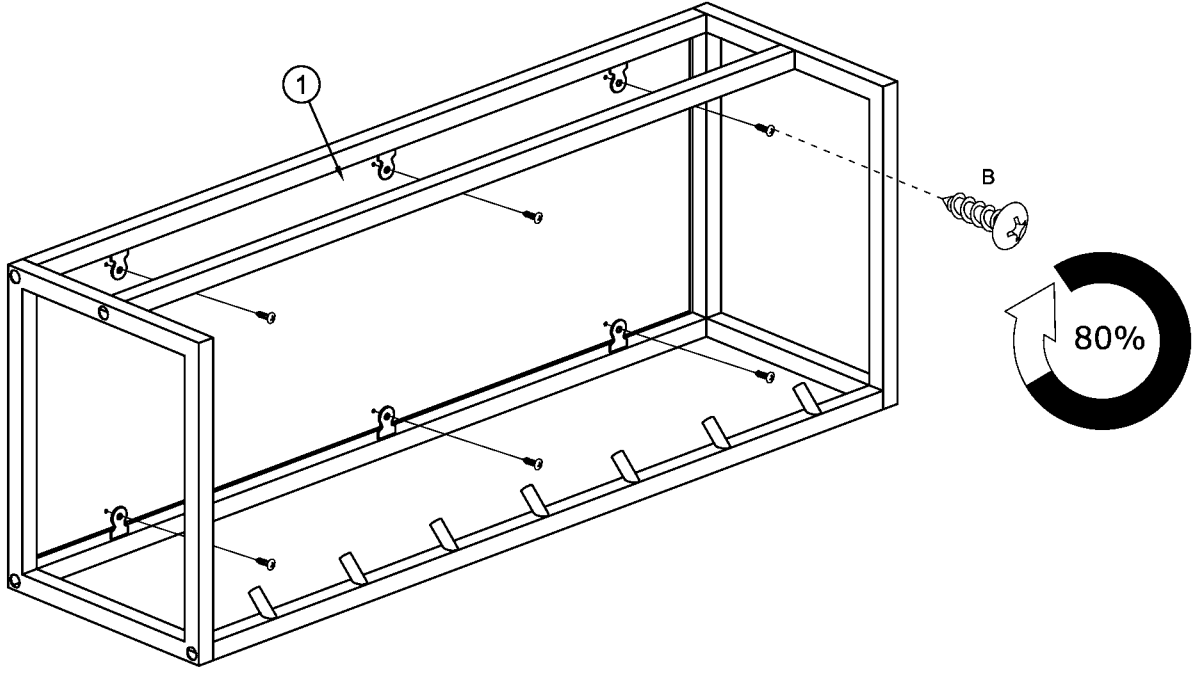
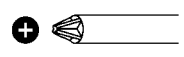
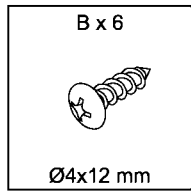


2

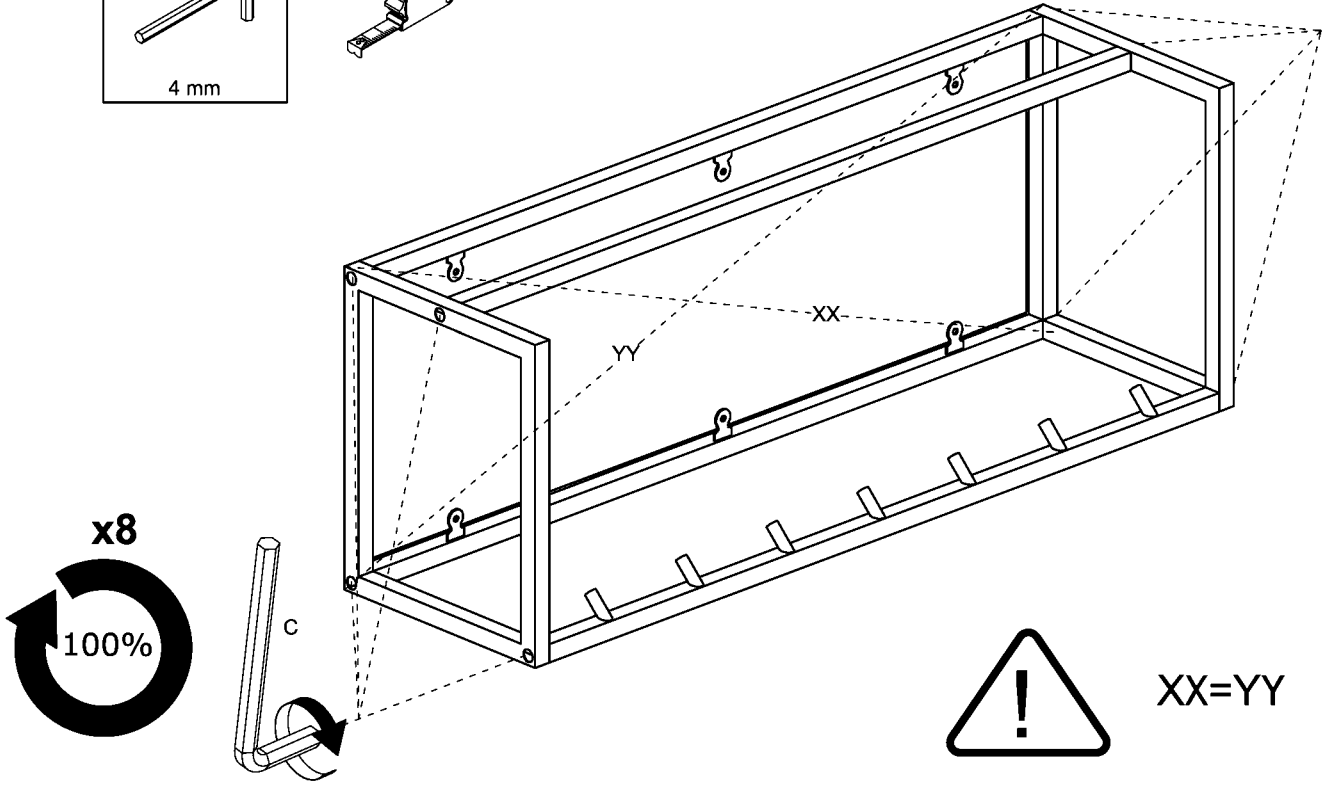
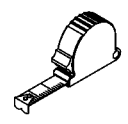
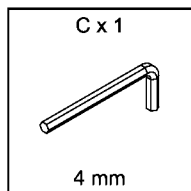
A x 4	C x 1
	
M6x16 mm	4 mm



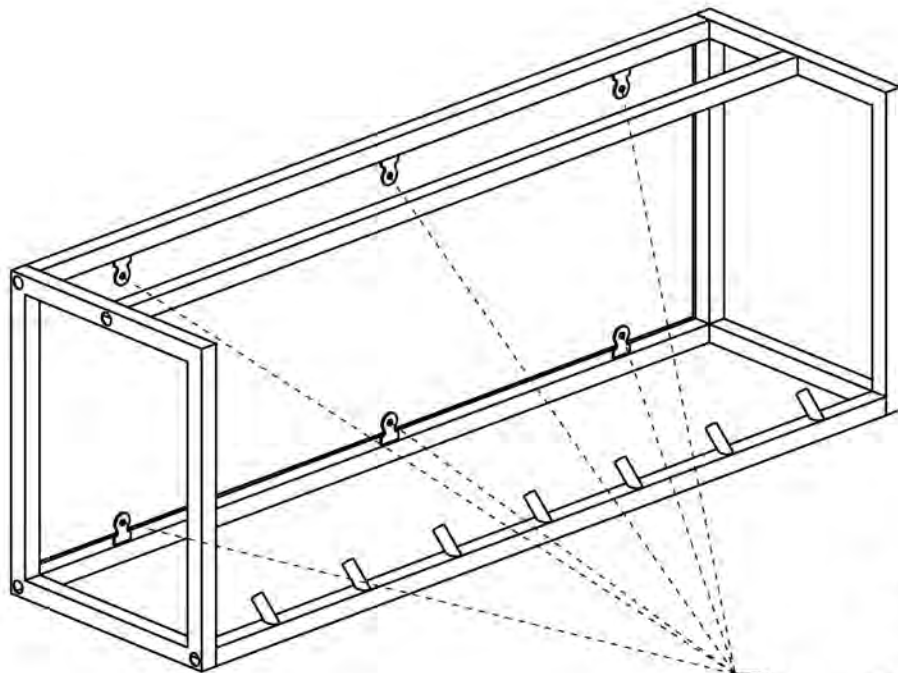
3



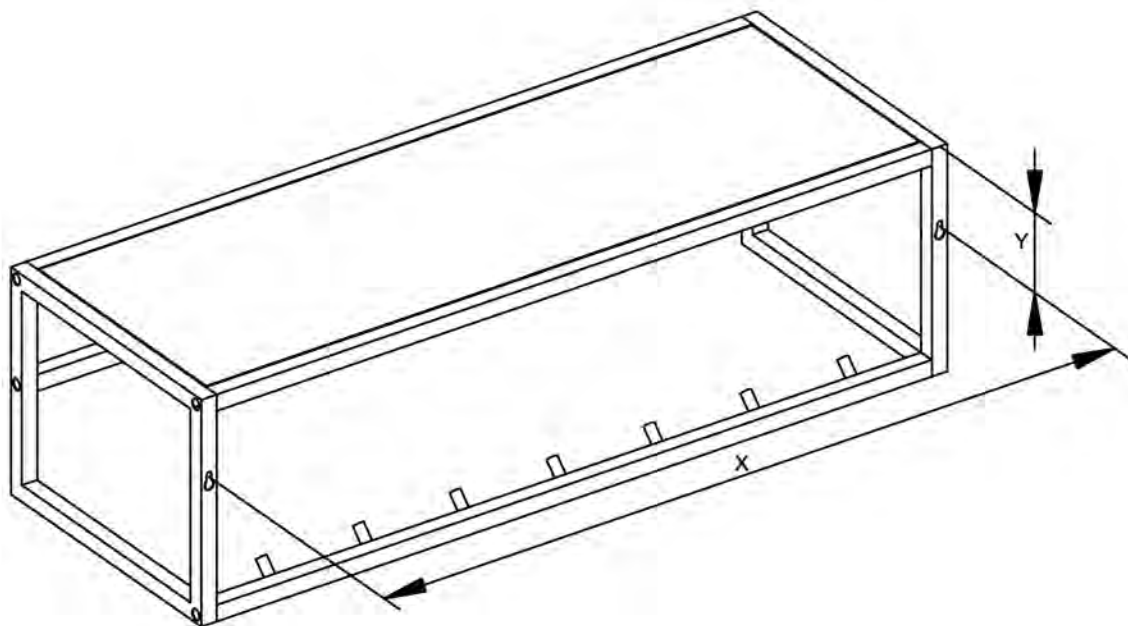
4



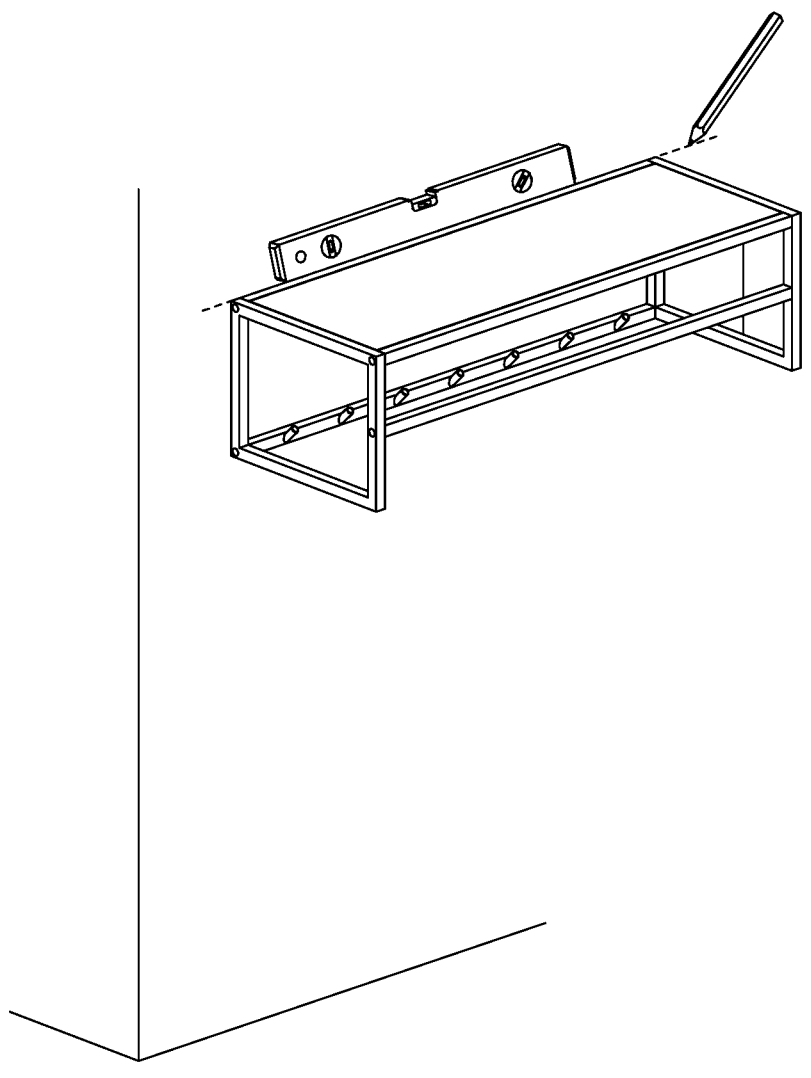
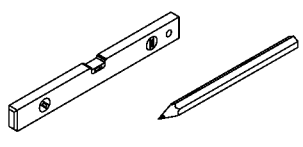
5



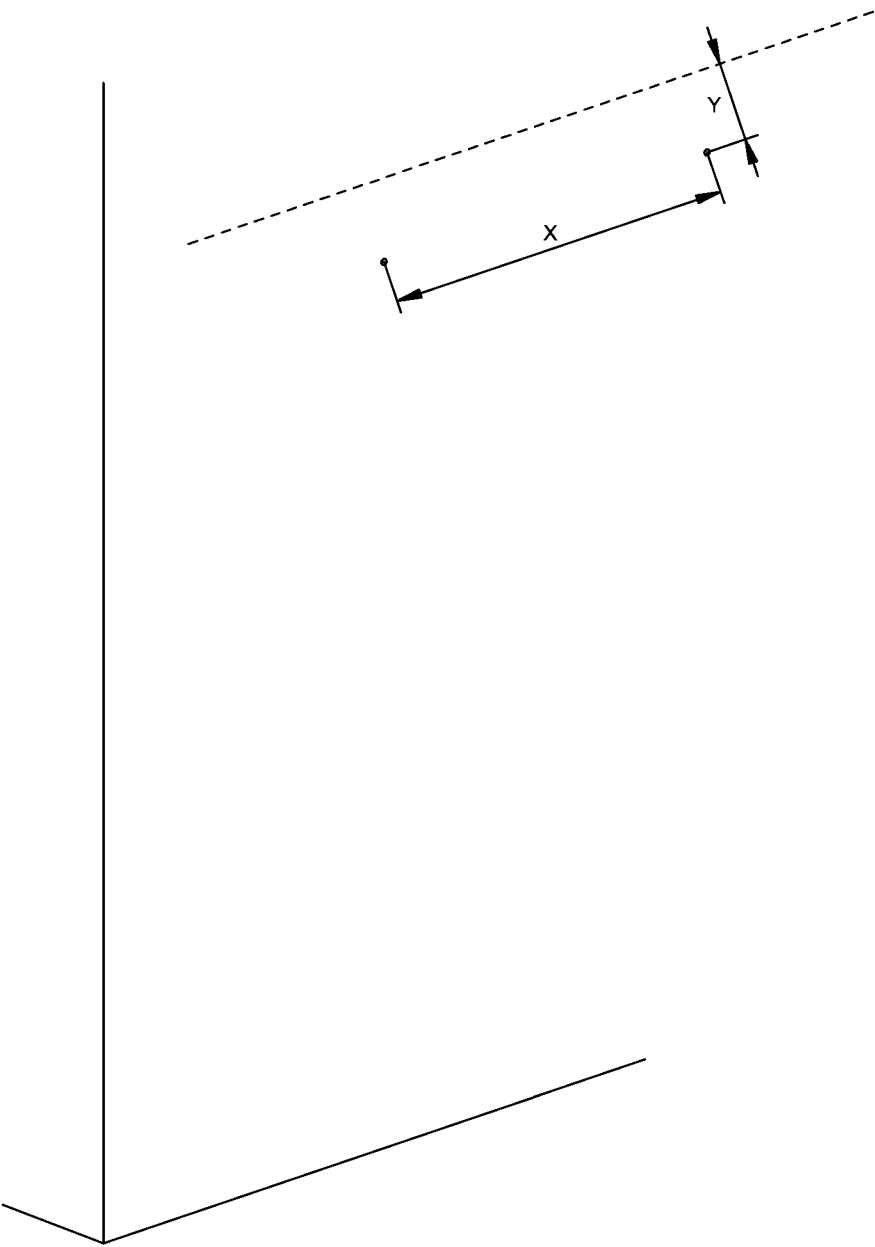
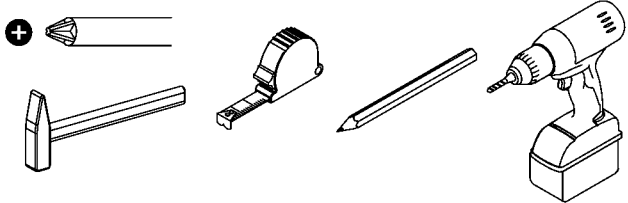
6

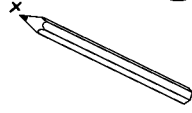
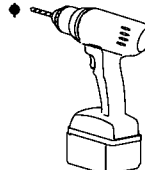
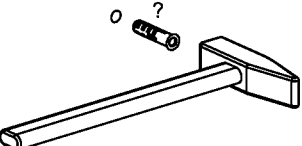



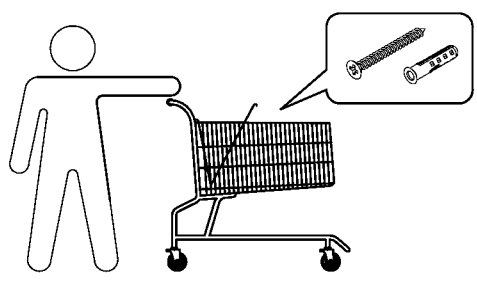
7



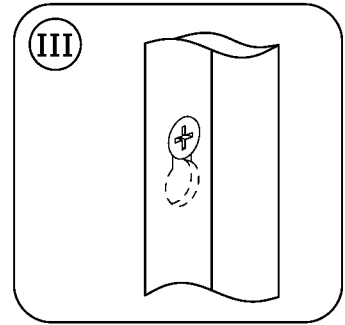
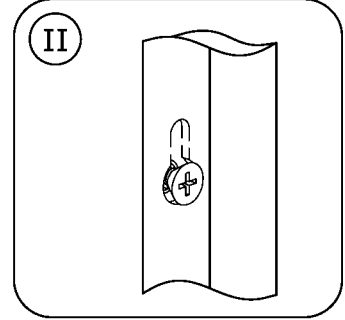
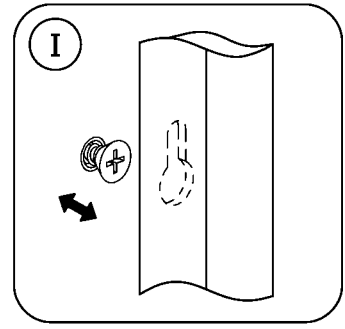
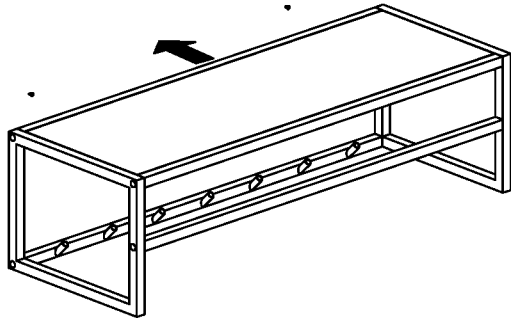
8



 <p>I</p>
 <p>II</p>
 <p>III</p>
 <p>IV</p>



9



10

