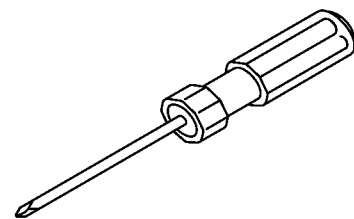
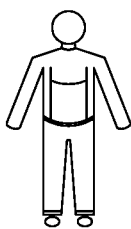
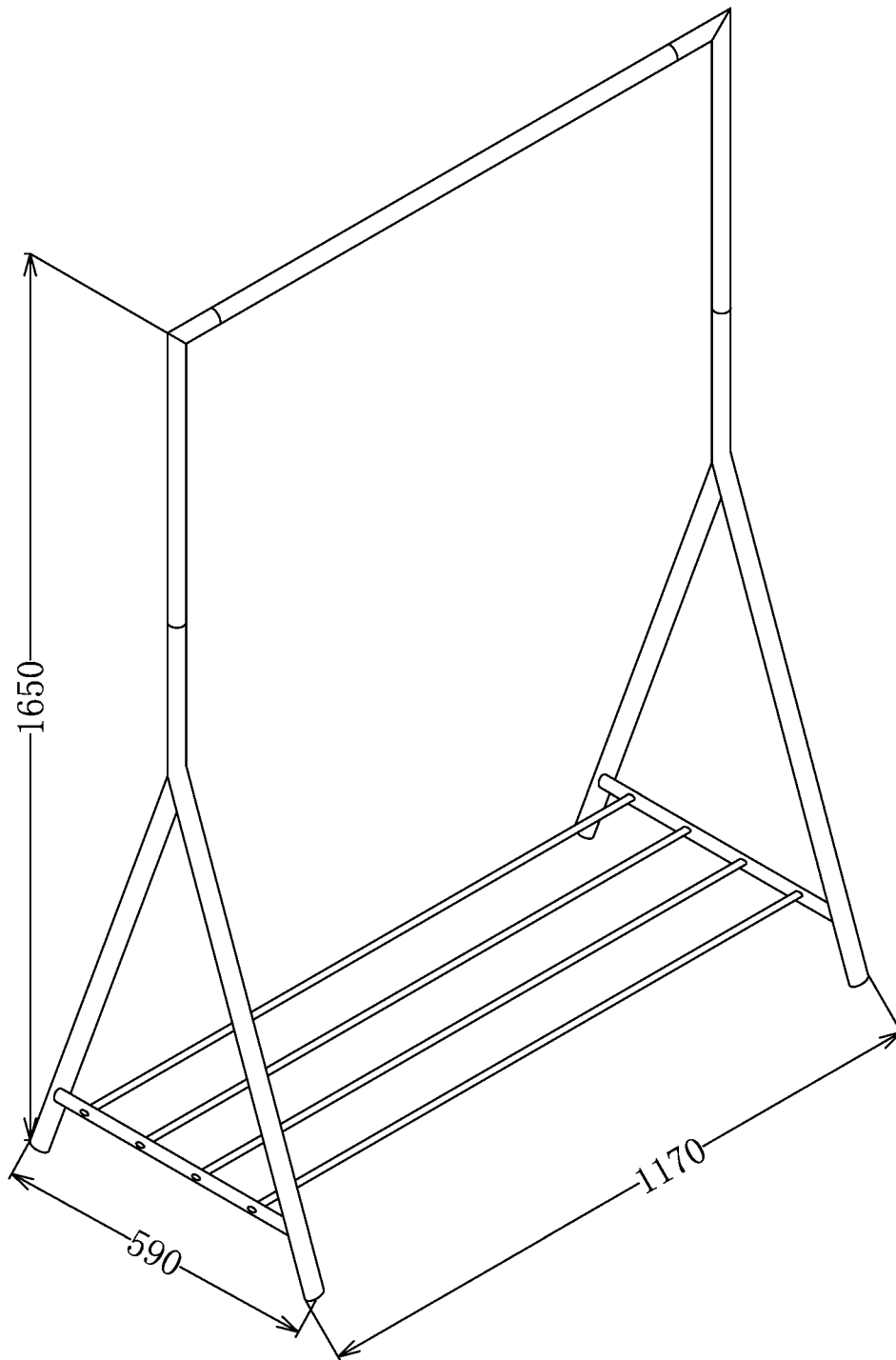
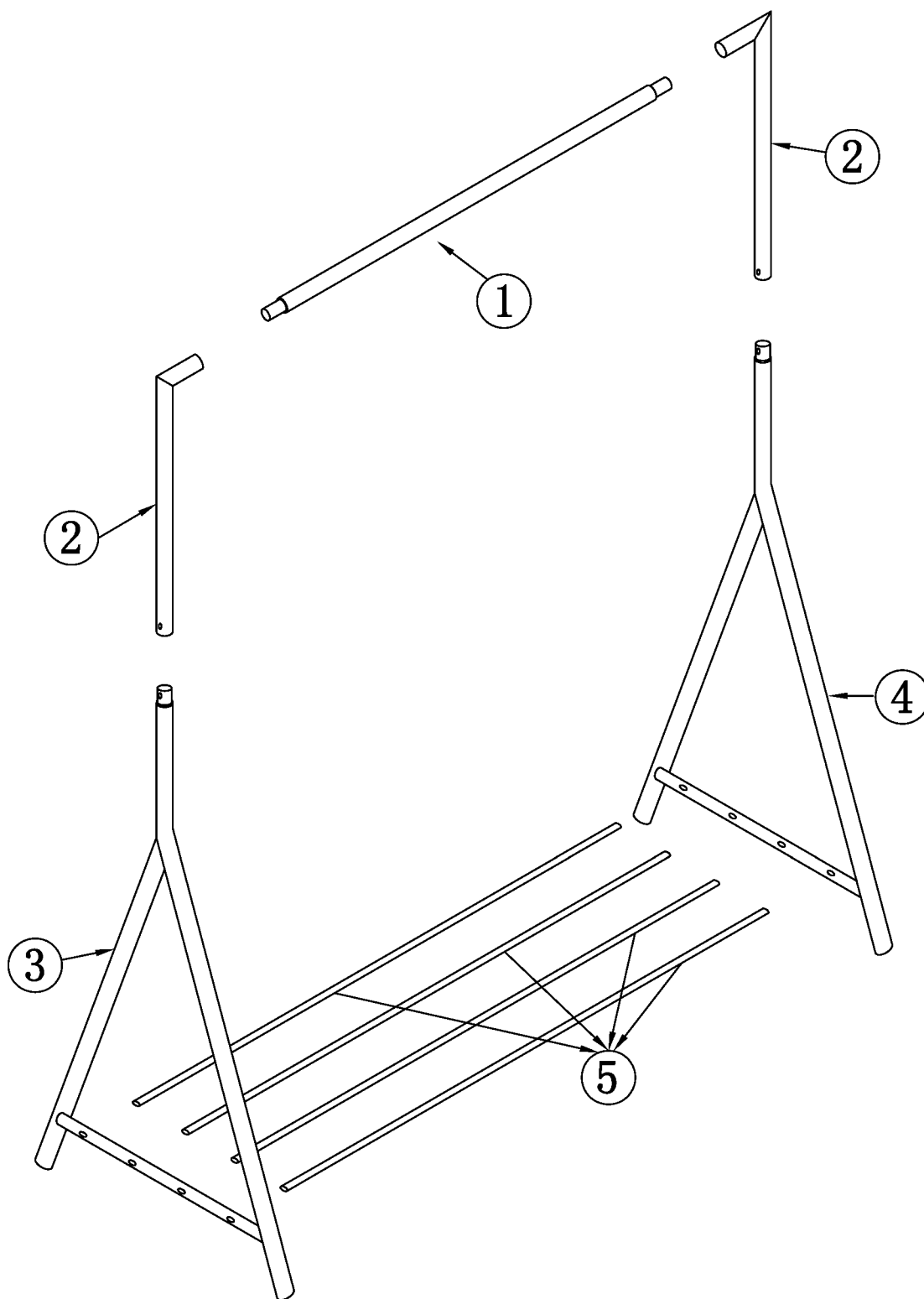
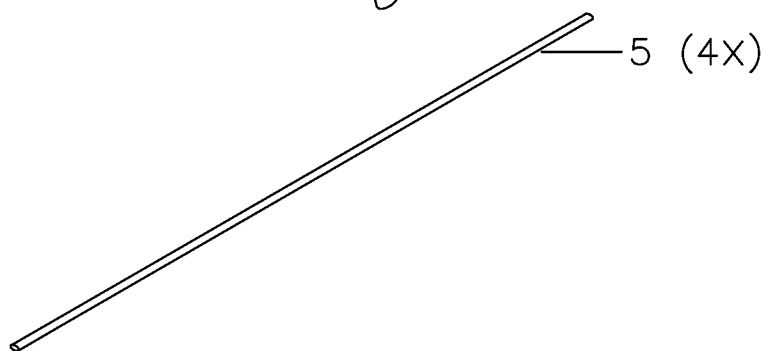
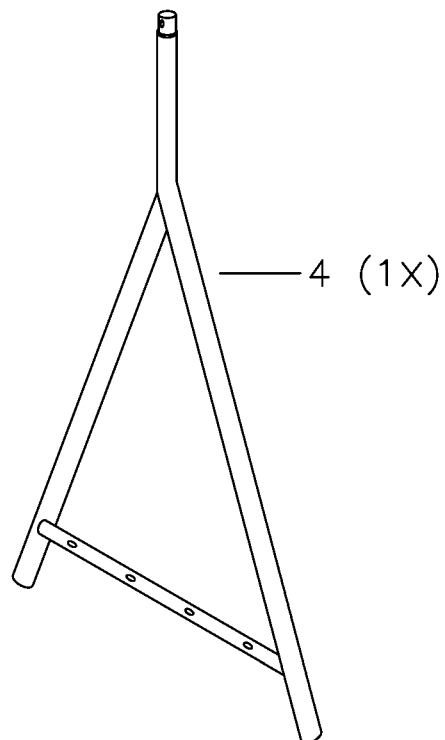
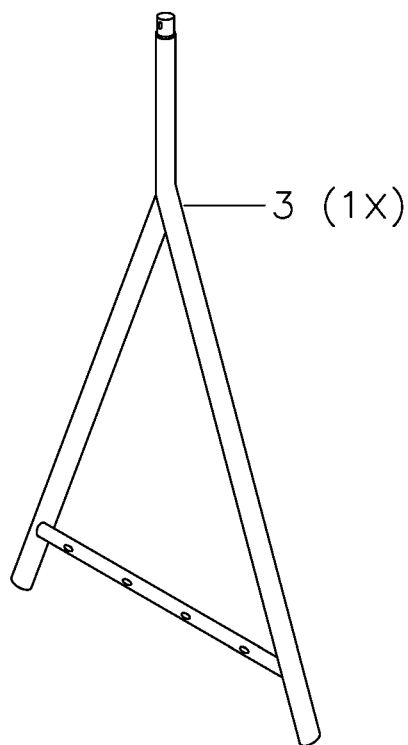
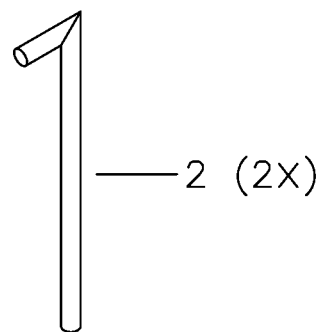
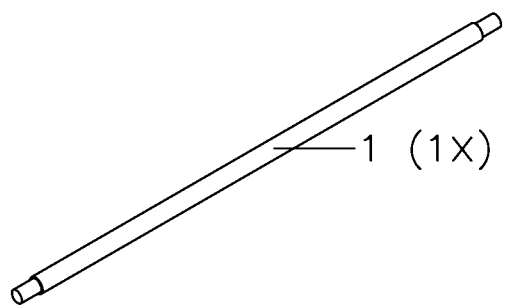


# Brent

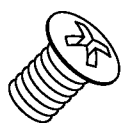




| NO. | SIZE         | QTY |
|-----|--------------|-----|
| 1   | 1060x40x20mm | 1   |
| 2   | 835x20x40mm  | 2   |
| 3   | 950x580x40mm | 1   |
| 4   | 950x580x40mm | 1   |
| 5   | 1116xØ15mm   | 4   |

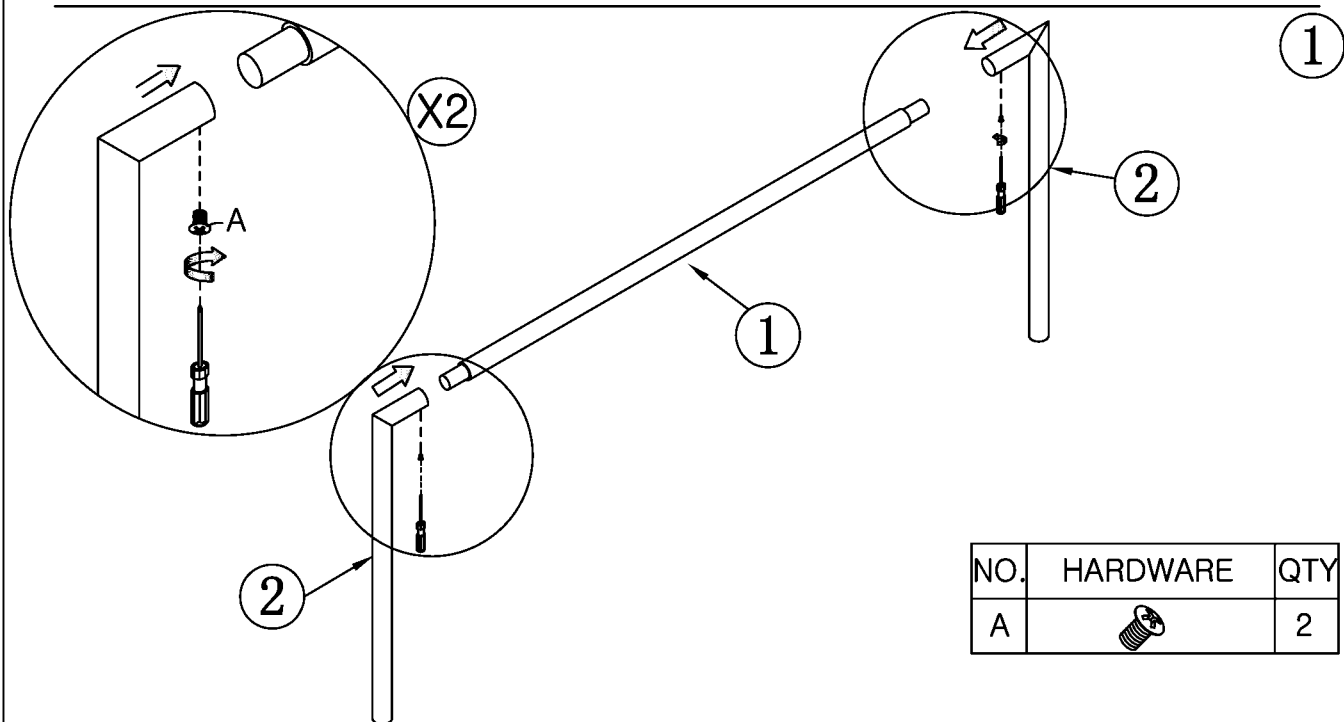


M5x10mm  
Ax6

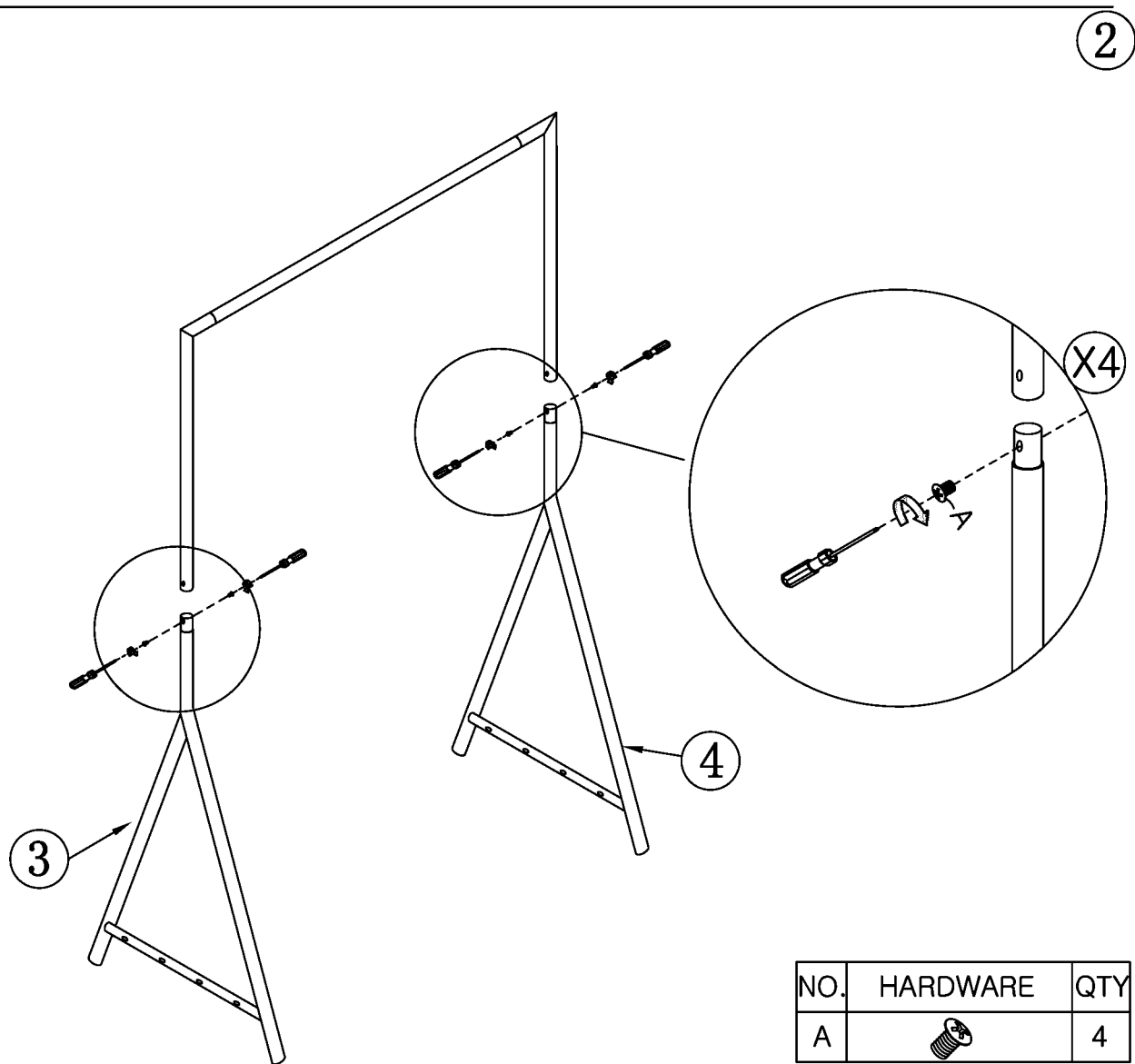


M5x30mm  
Bx8



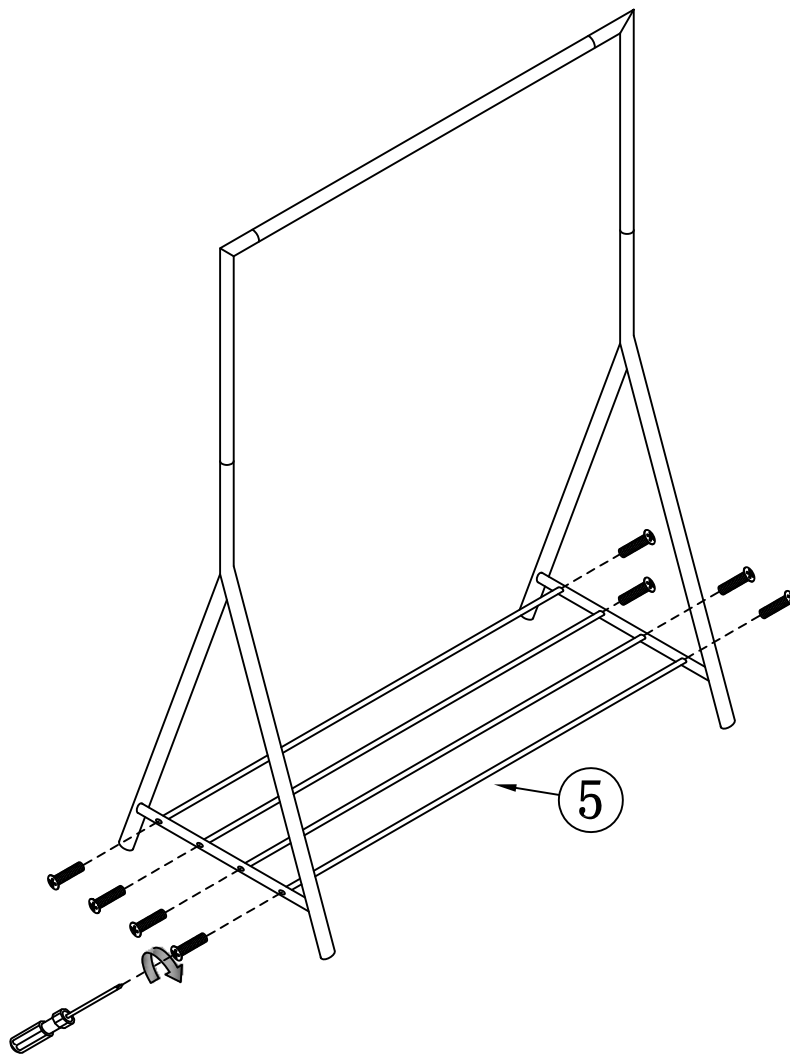


| NO. | HARDWARE  | QTY |
|-----|---|-----|
| A   |  | 2   |



| NO. | HARDWARE  | QTY |
|-----|---|-----|
| A   |  | 4   |

3



| NO. | HARDWARE  | QTY |
|-----|---|-----|
| B   |  | 8   |

4

