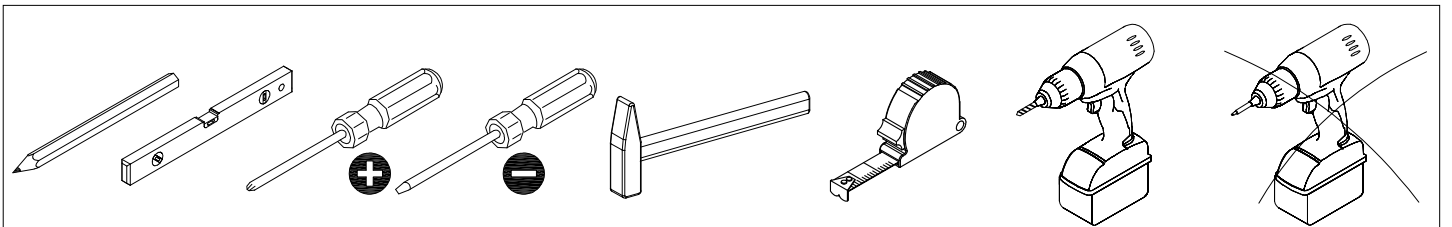
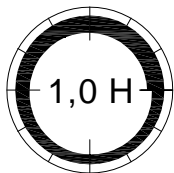
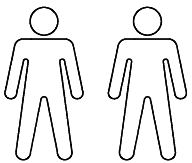
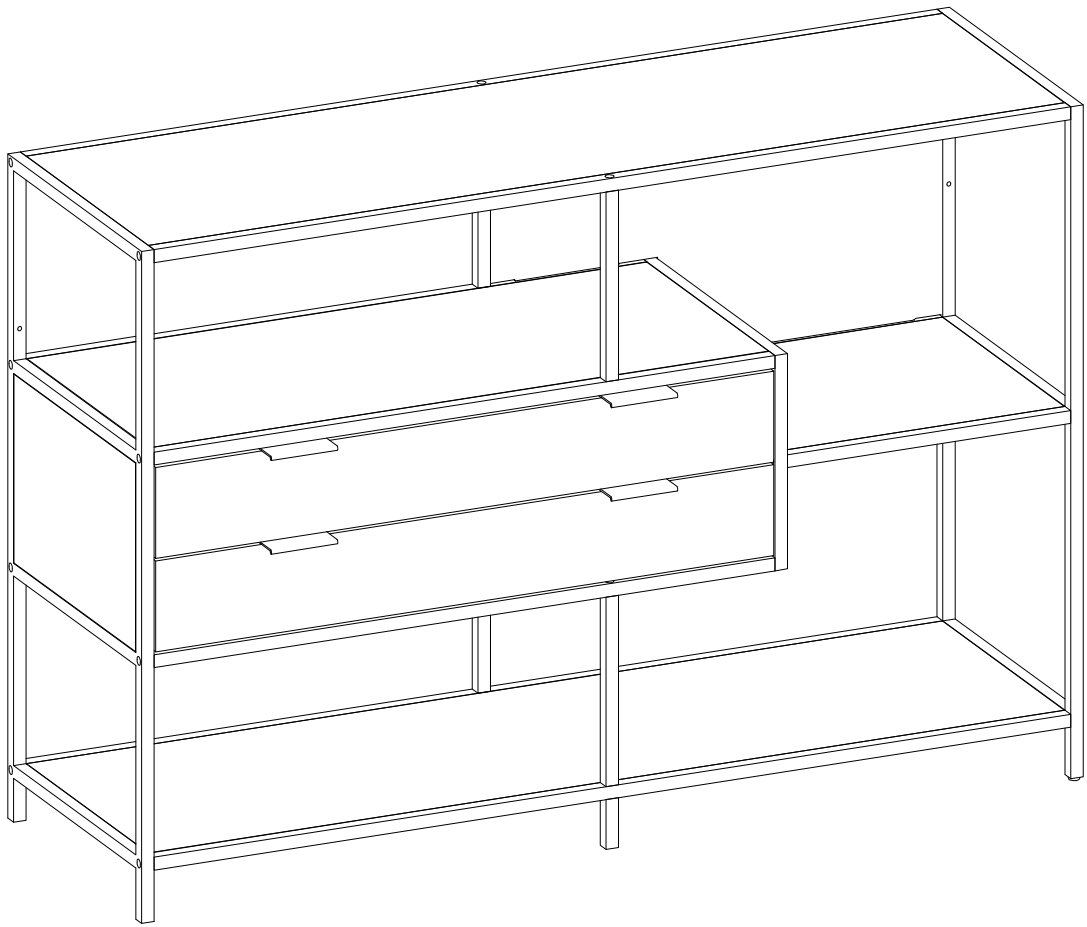
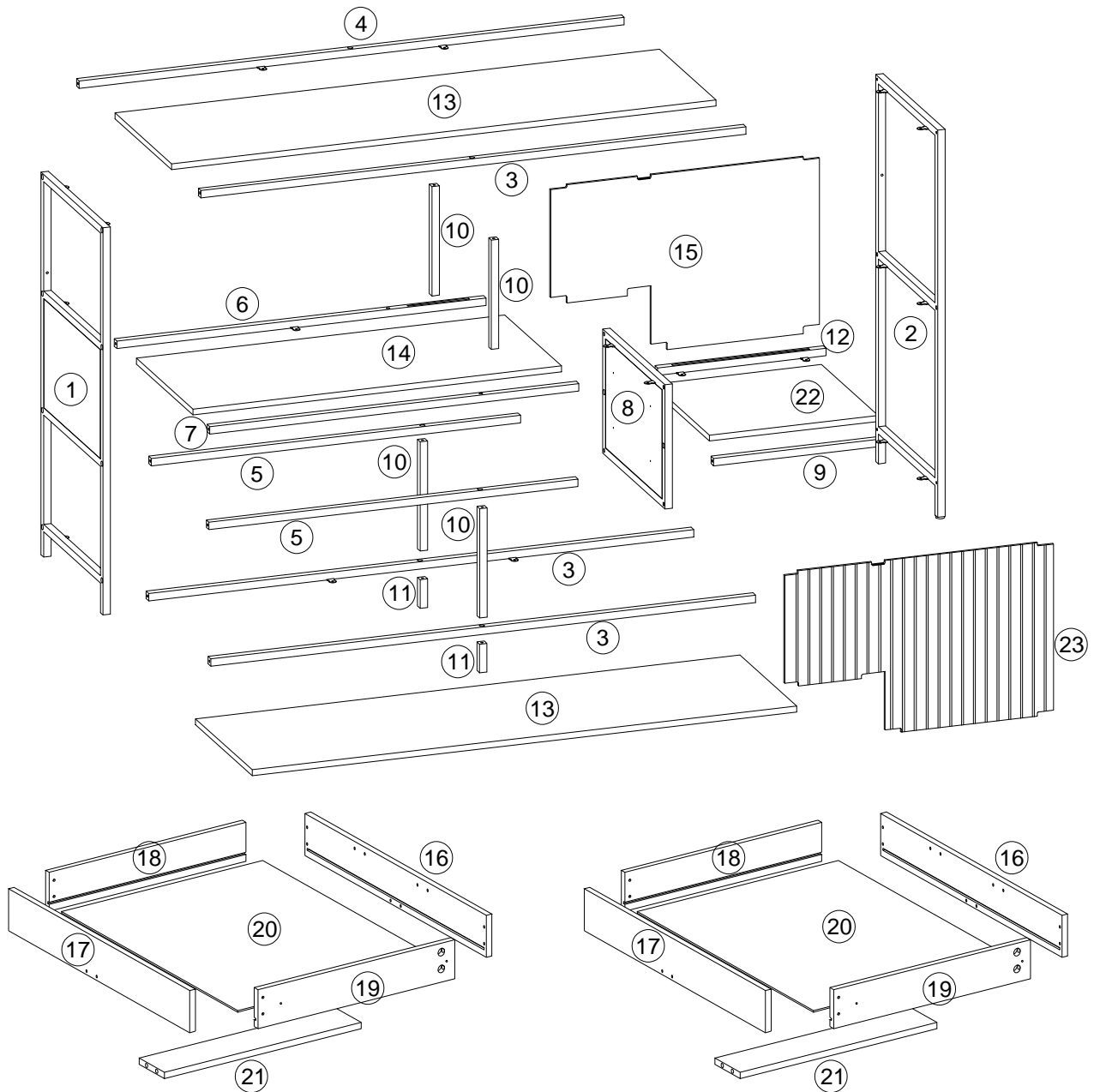


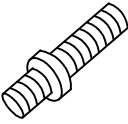
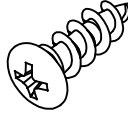
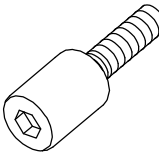
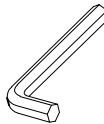
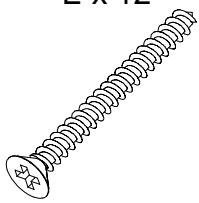
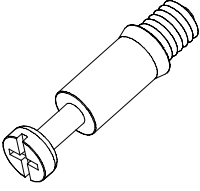

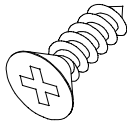
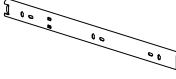
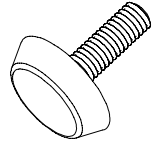
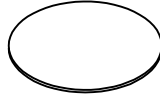
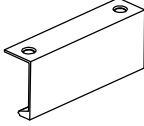
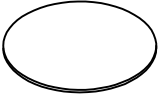
SEAFORD



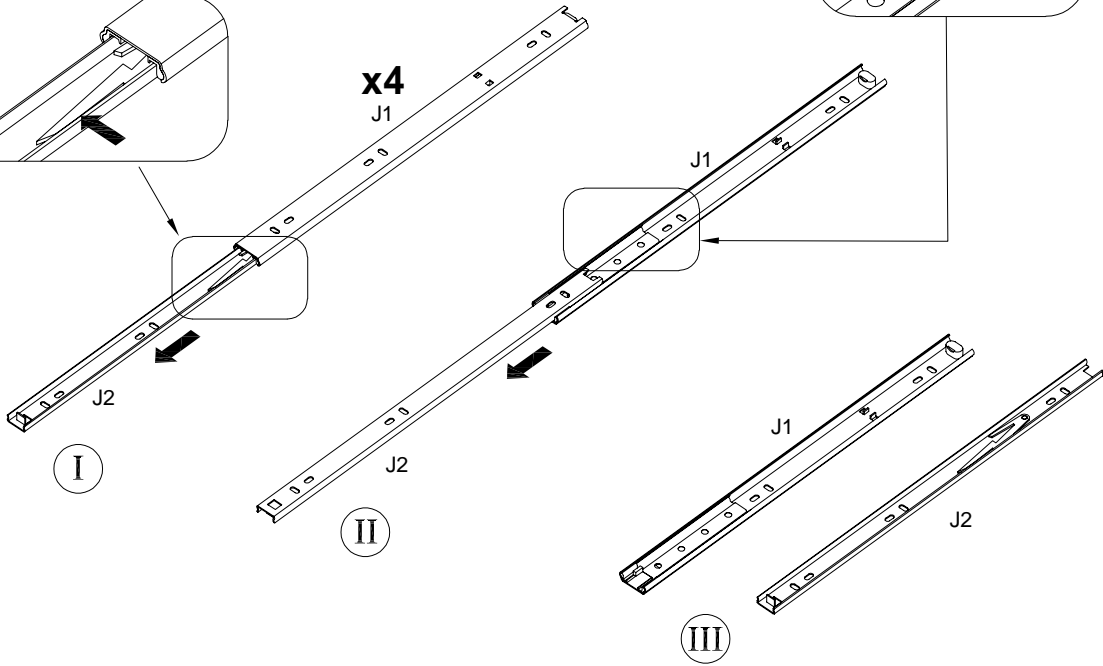
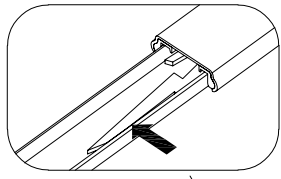
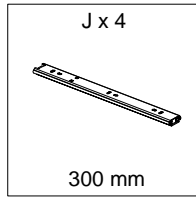
			✓
①	1	787x350x35	
②	1	787x350x35	
③	3	1108x35x15	
④	1	1108x35x15	
⑤	2	750.5x35x15	
⑥	1	750.5x35x15	
⑦	1	750.5x35x15	
⑧	1	350x251x35	
⑨	1	342.5x35x15	
⑩	4	221x15x15	
⑪	2	60x15x15	
⑫	1	342.5x35x15	

			✓
⑬	2	1107x318x12	
⑭	1	749x318x12	
⑮	1	546x352x4.75	
⑯	2	746x105x12	
⑰	2	706x80x12	
⑱	2	300x80x12	
⑲	2	300x80x12	
⑳	2	715x297x2.75	
㉑	2	288x80x12	
㉒	1	343x318x12	
㉓	1	546x352x4.75	

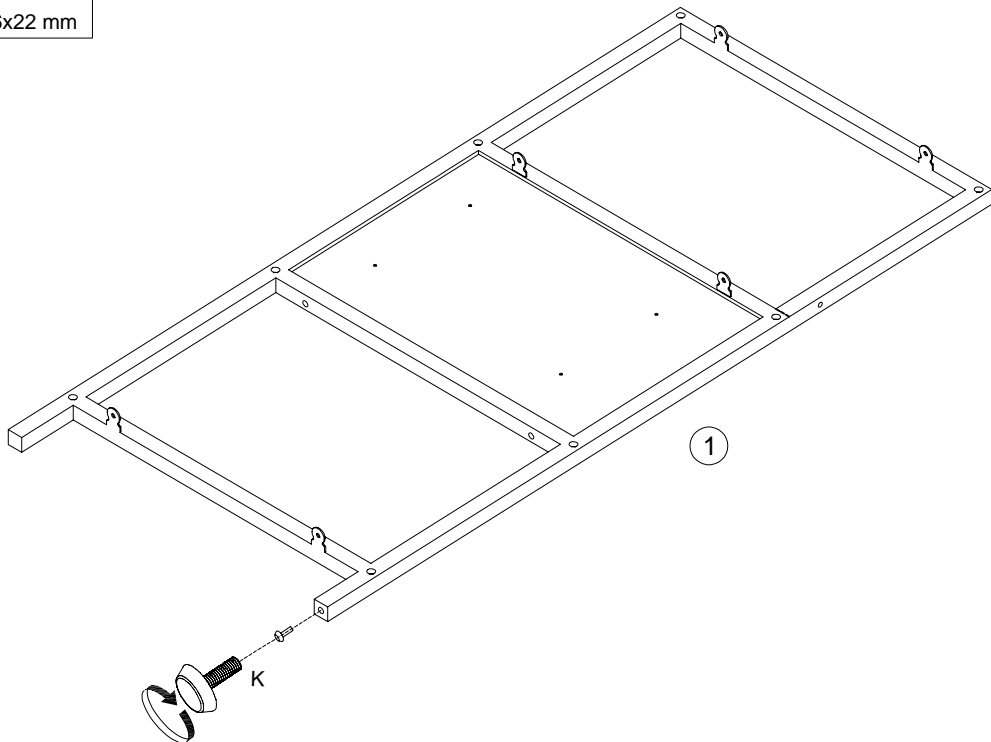
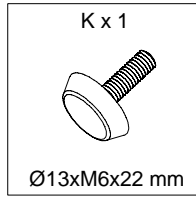


<p>A x 2</p>  <p>M6x55 mm</p>	<p>B x 28</p>  <p>Ø4x12 mm</p>	<p>C x 26</p>  <p>M6x15 mm</p>	<p>D x 1</p>  <p>4 mm</p>	<p>E x 12</p>  <p>Ø4x35 mm</p>
<p>F x 12</p>  <p>Ø6.3x35 mm</p>	<p>G x 12</p>  <p>Ø15x9 mm</p>	<p>H x 24</p>  <p>Ø3.5x12 mm</p>	<p>J x 4</p>  <p>300 mm</p>	<p>K x 1</p>  <p>Ø13xM6x22 mm</p>
<p>L x 8</p>  <p>Ø20 mm</p>	<p>M x 4</p>  <p>80x32x18 mm</p>	<p>N x 19</p>  <p>Ø15 mm</p>		

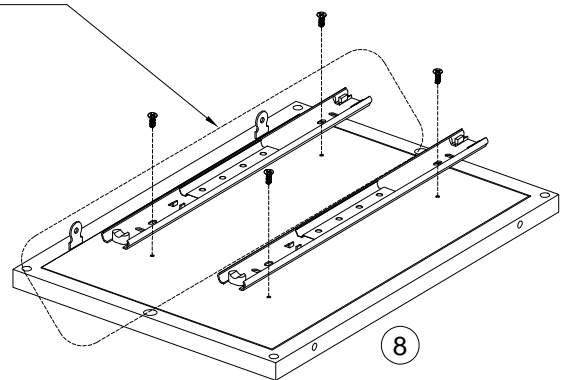
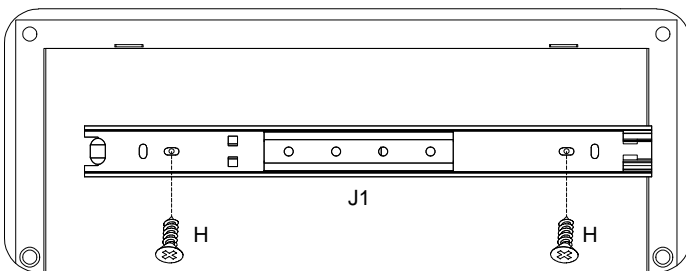
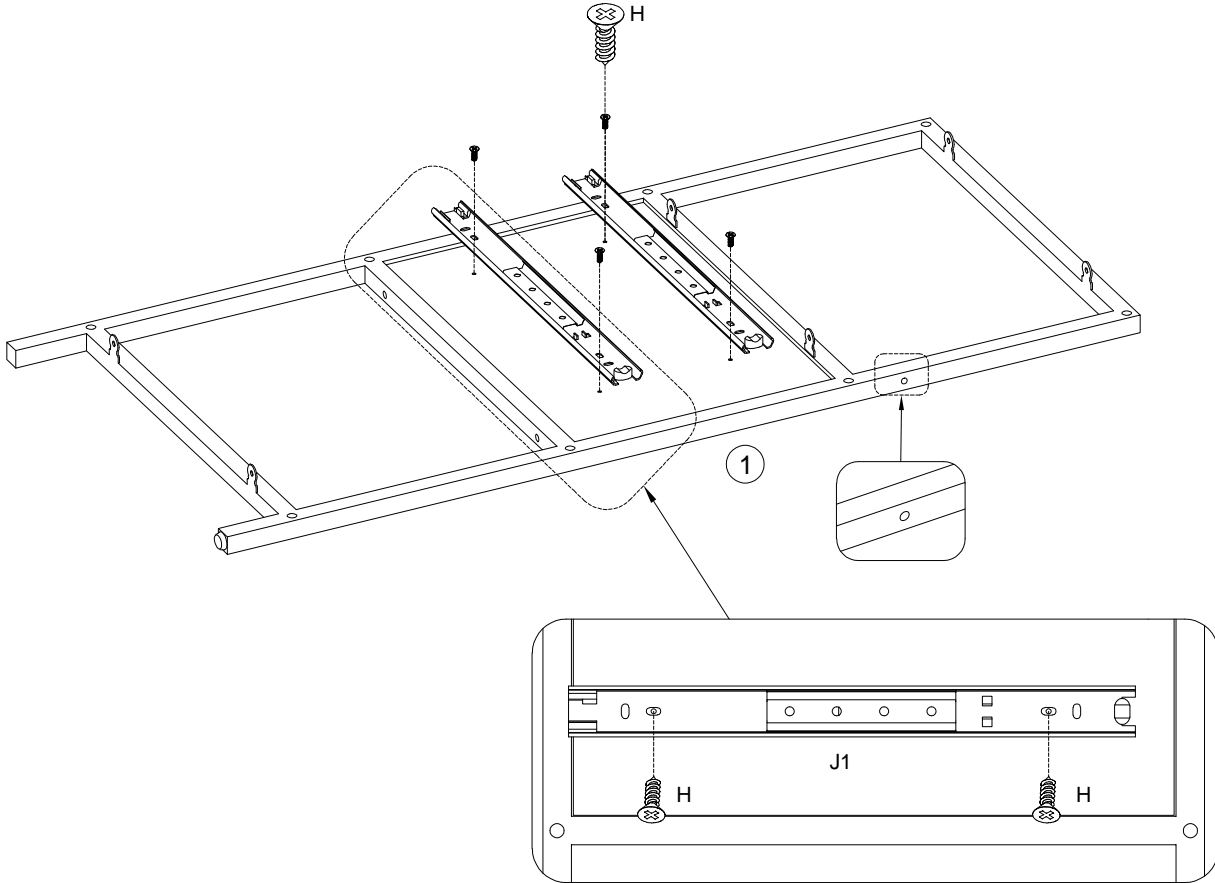
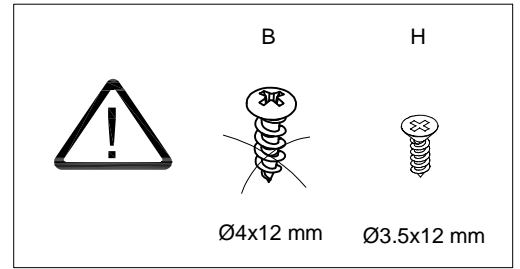
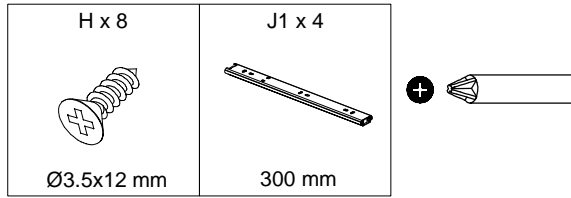
1



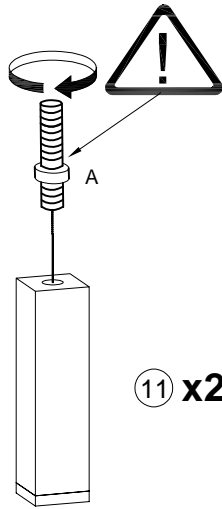
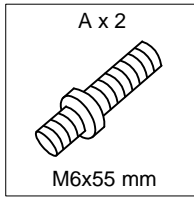
2



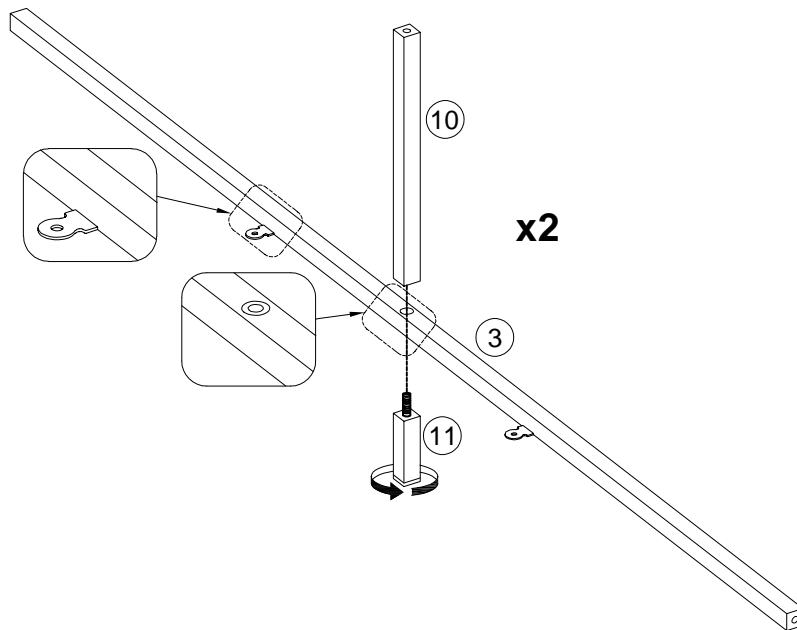
3



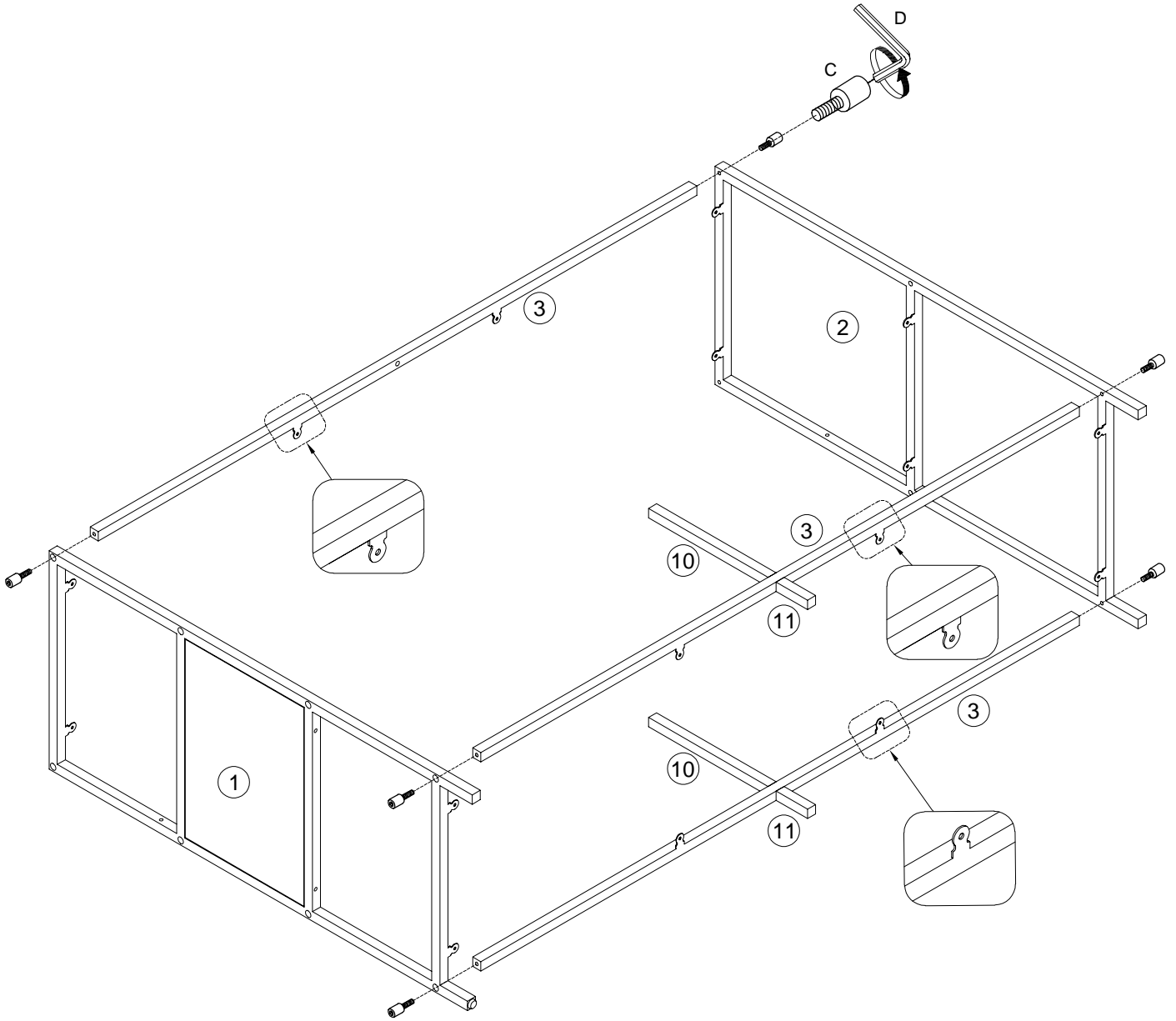
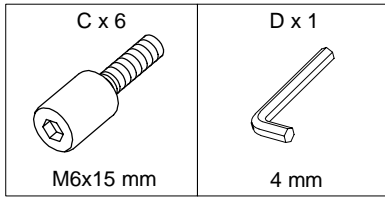
4



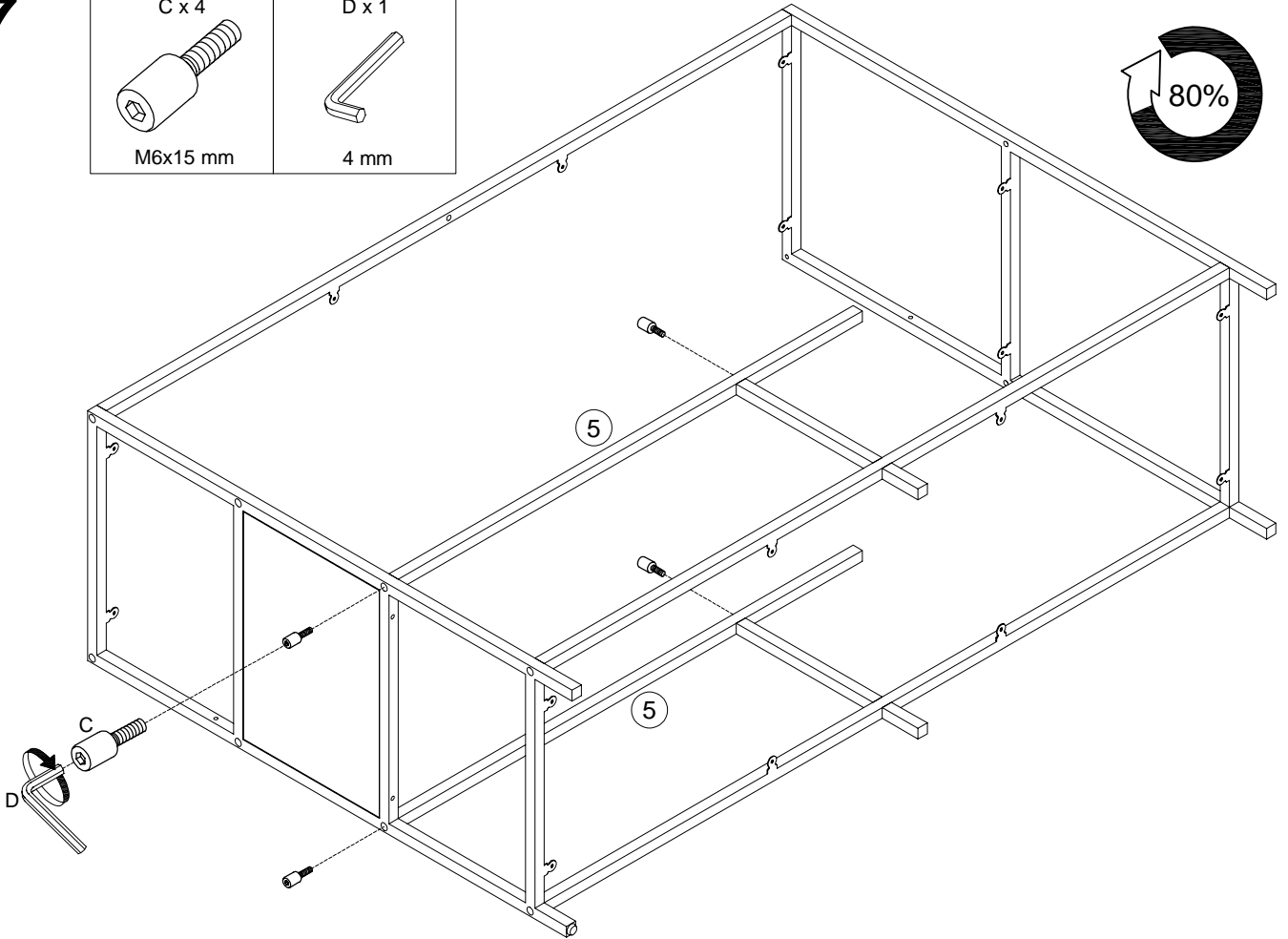
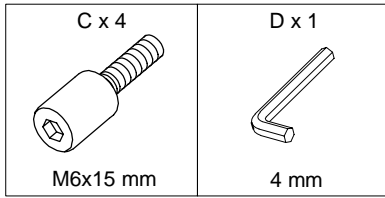
5



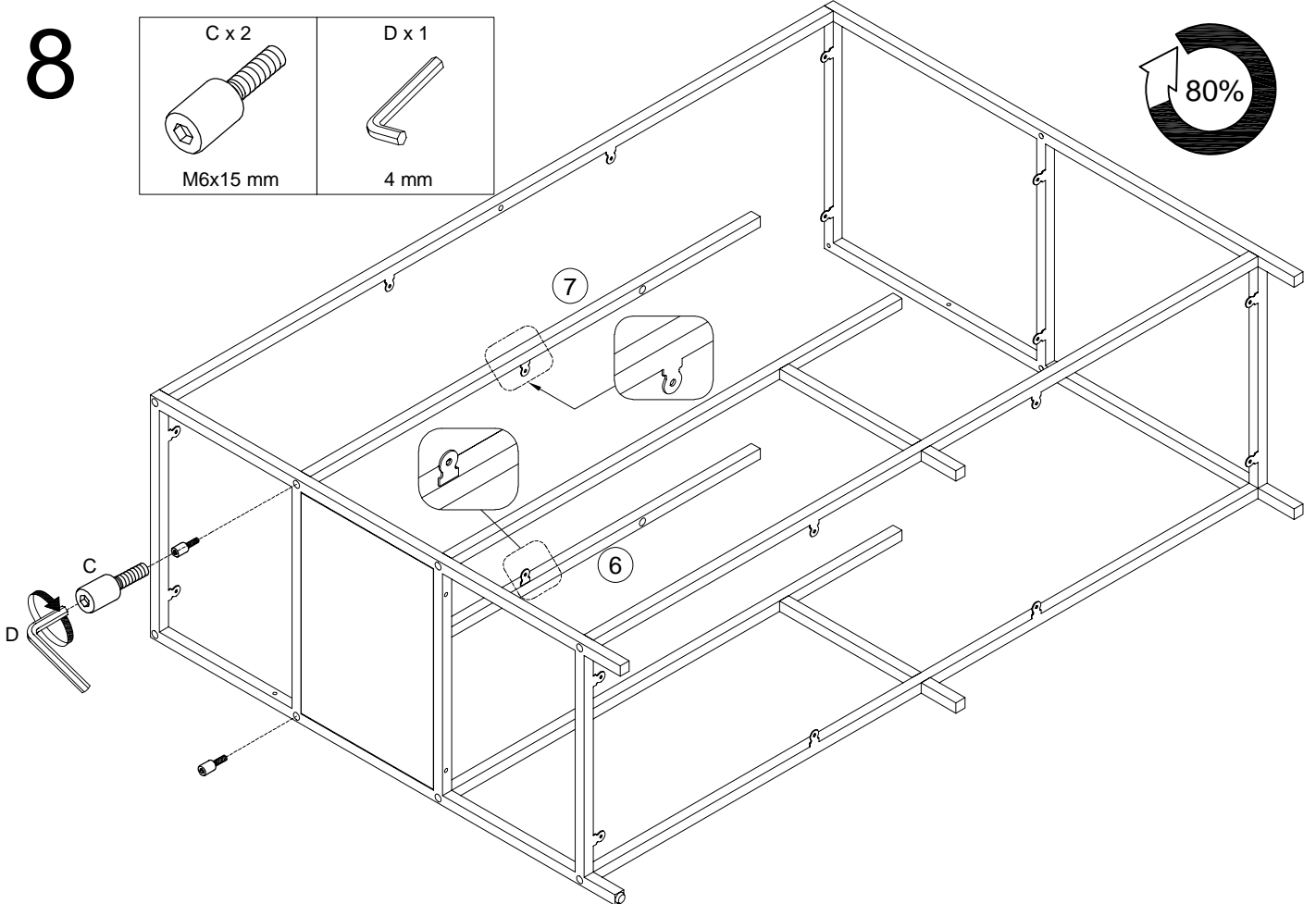
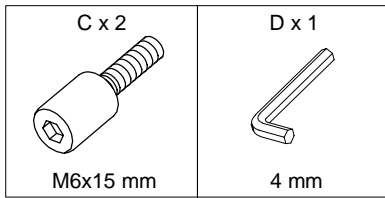
6



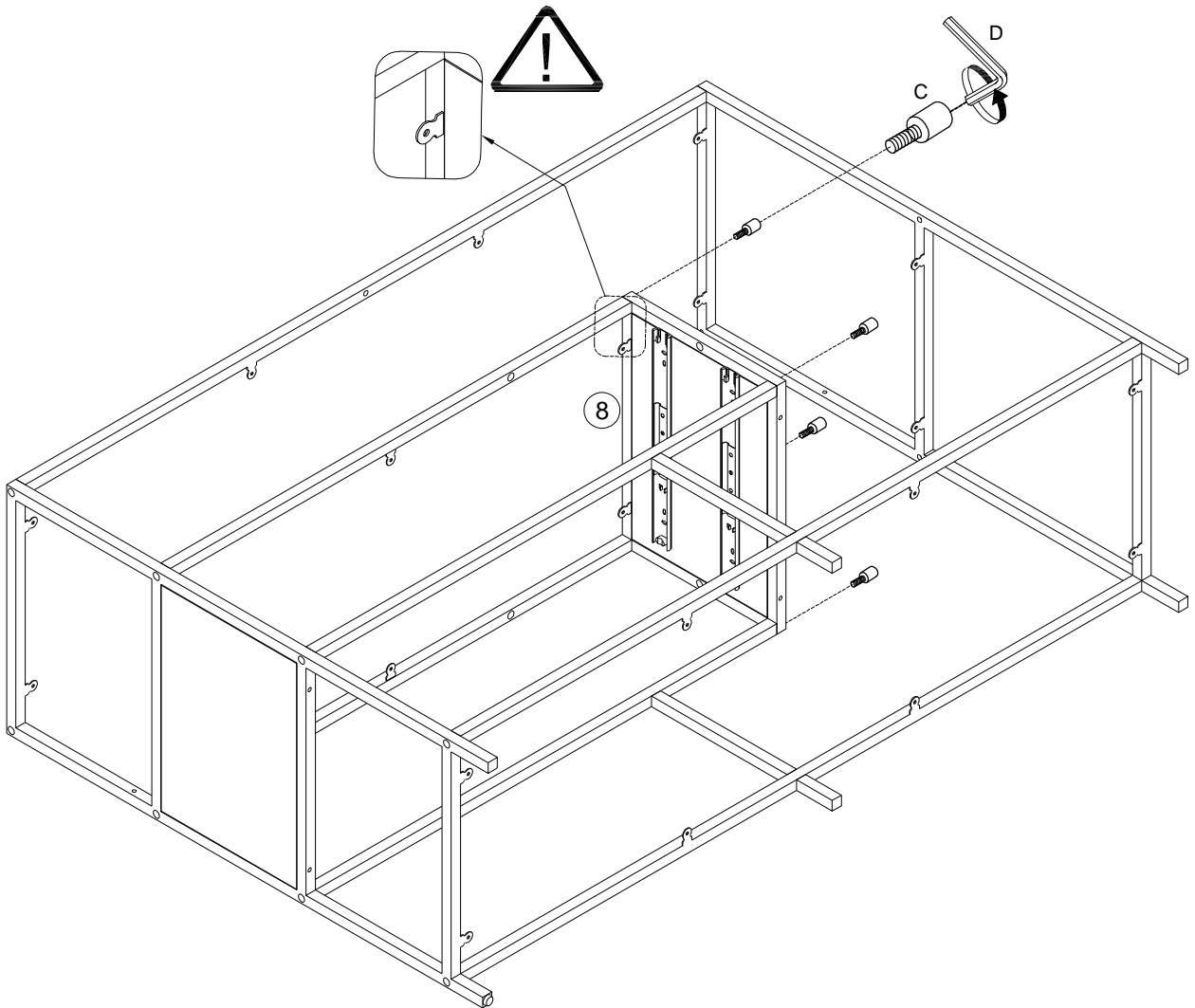
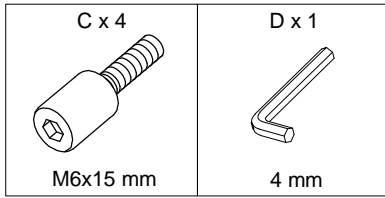
7



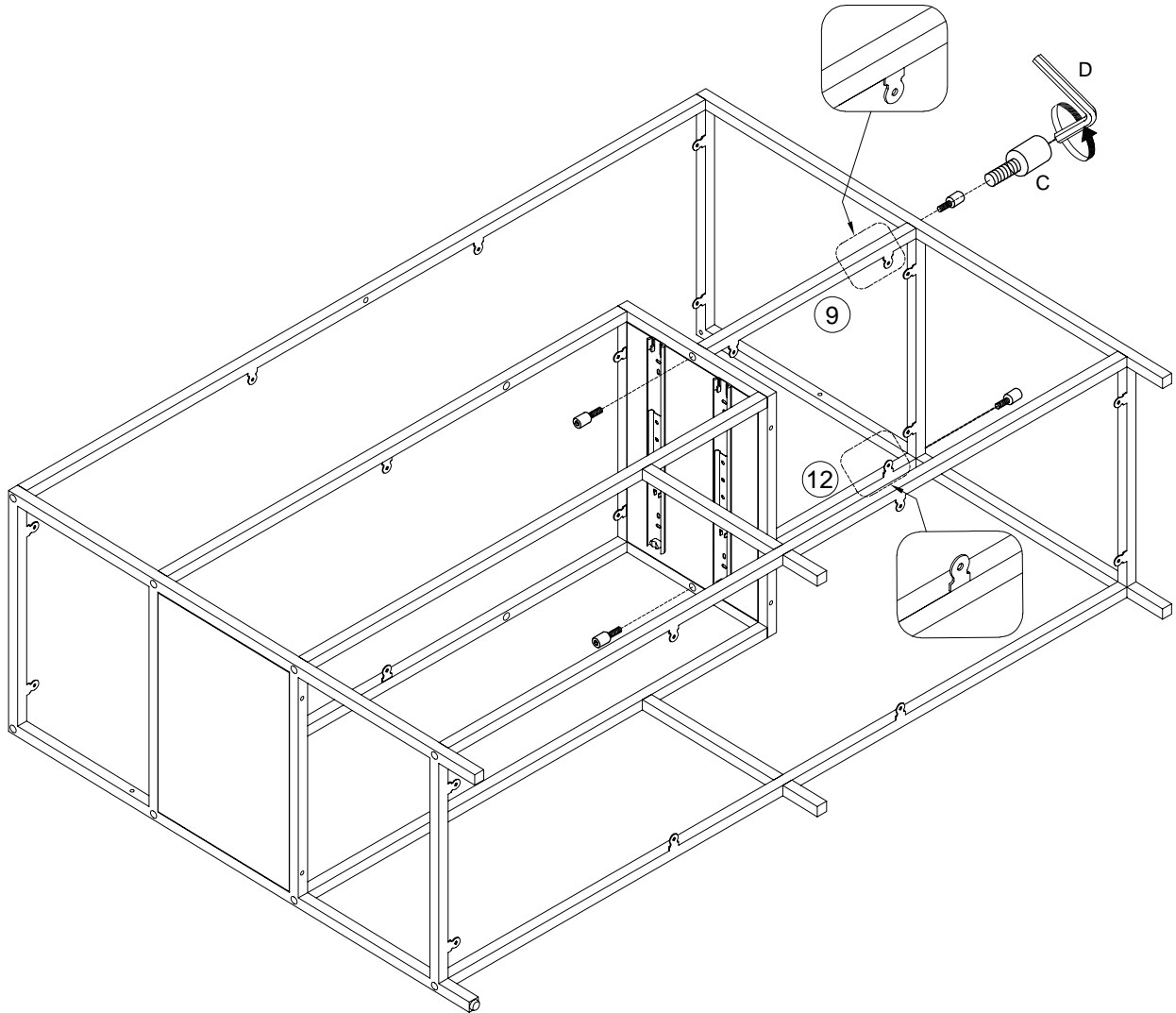
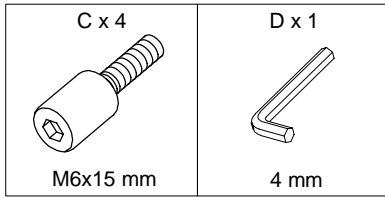
8



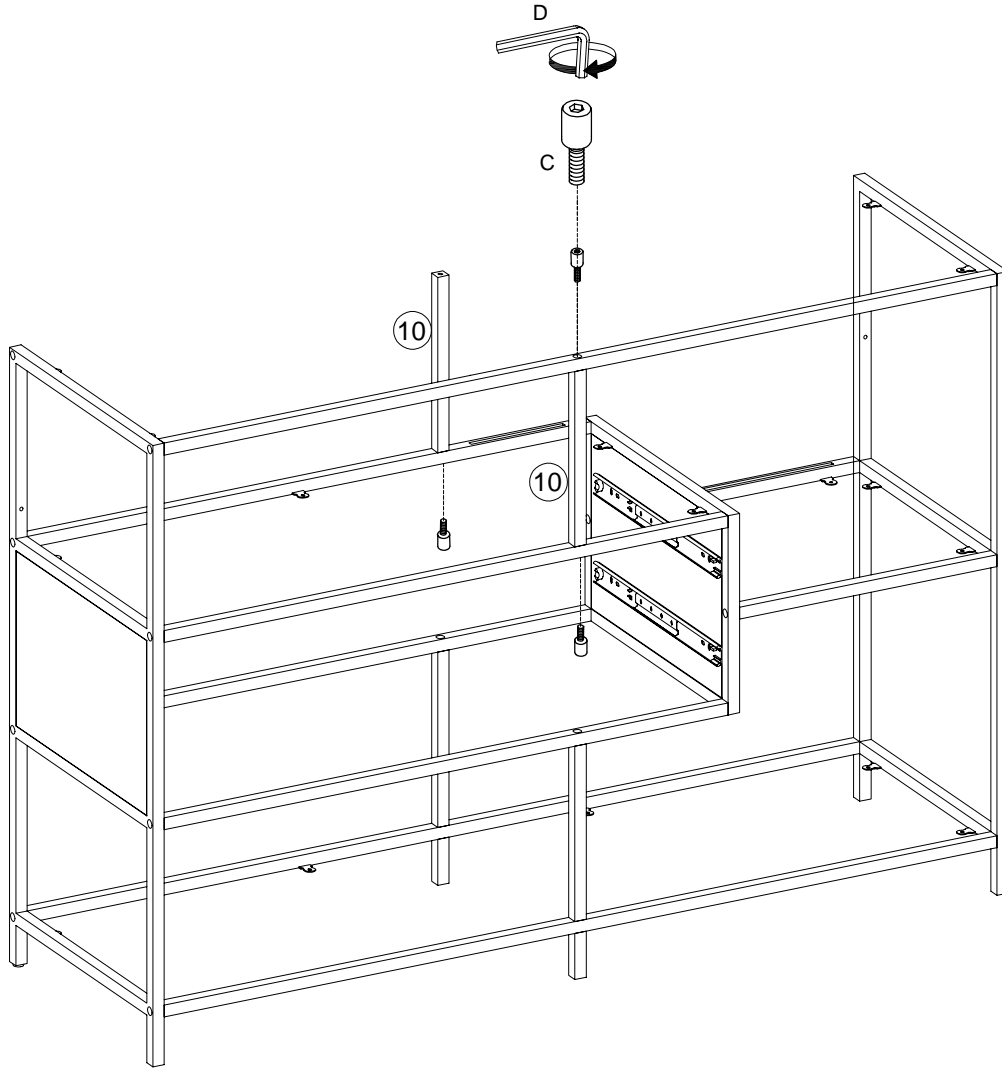
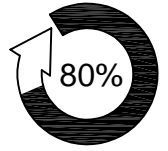
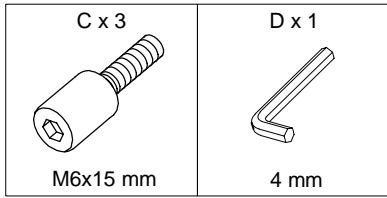
9



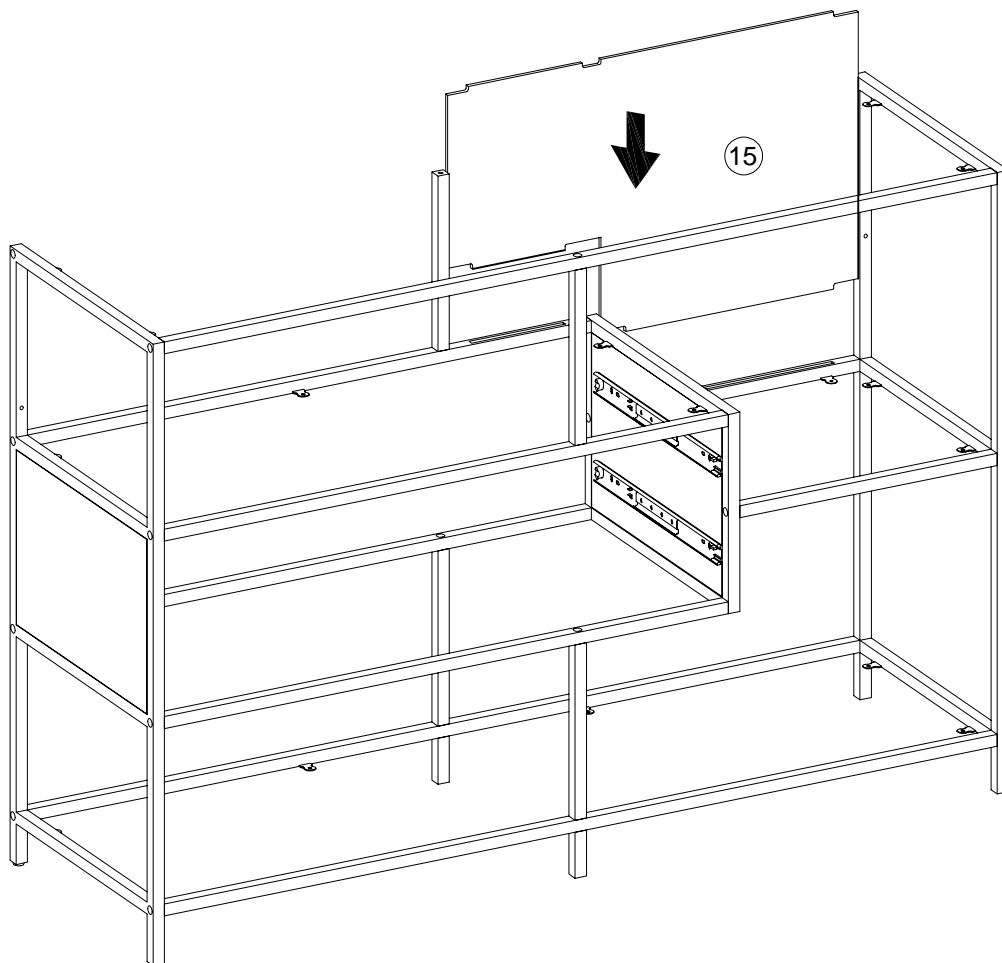
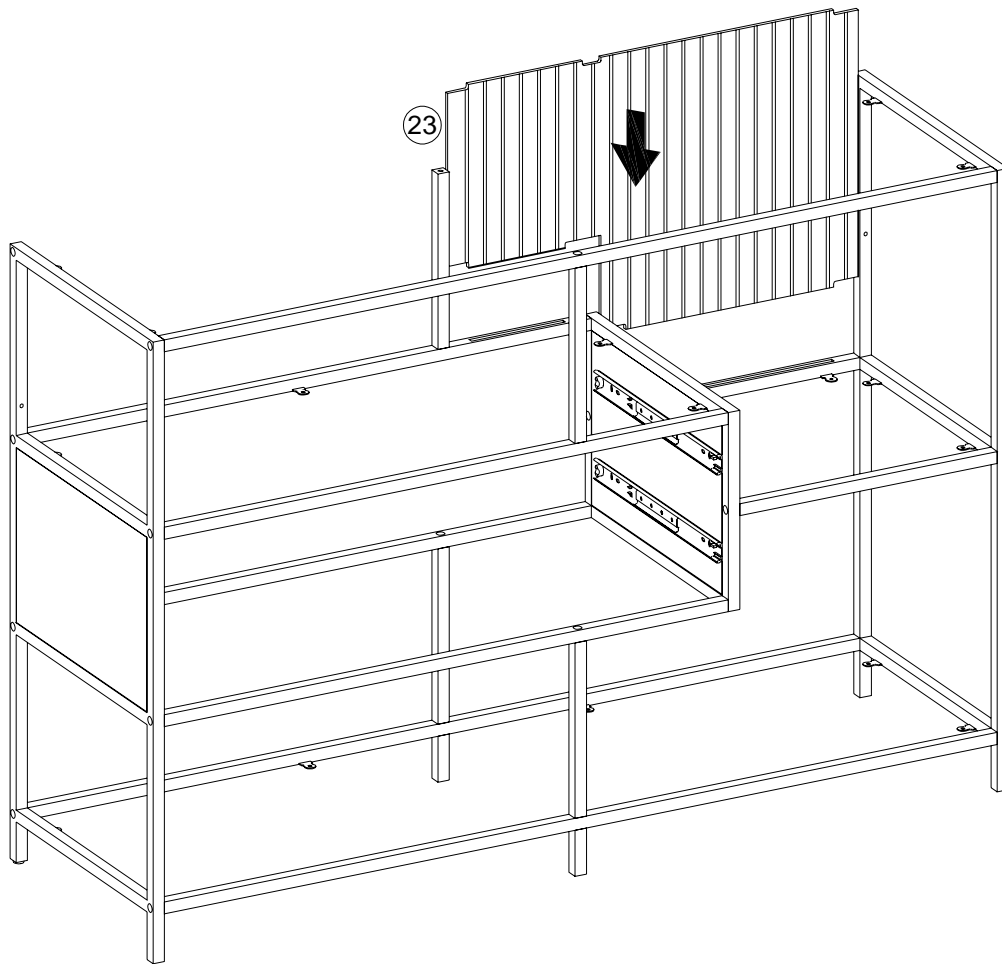
10



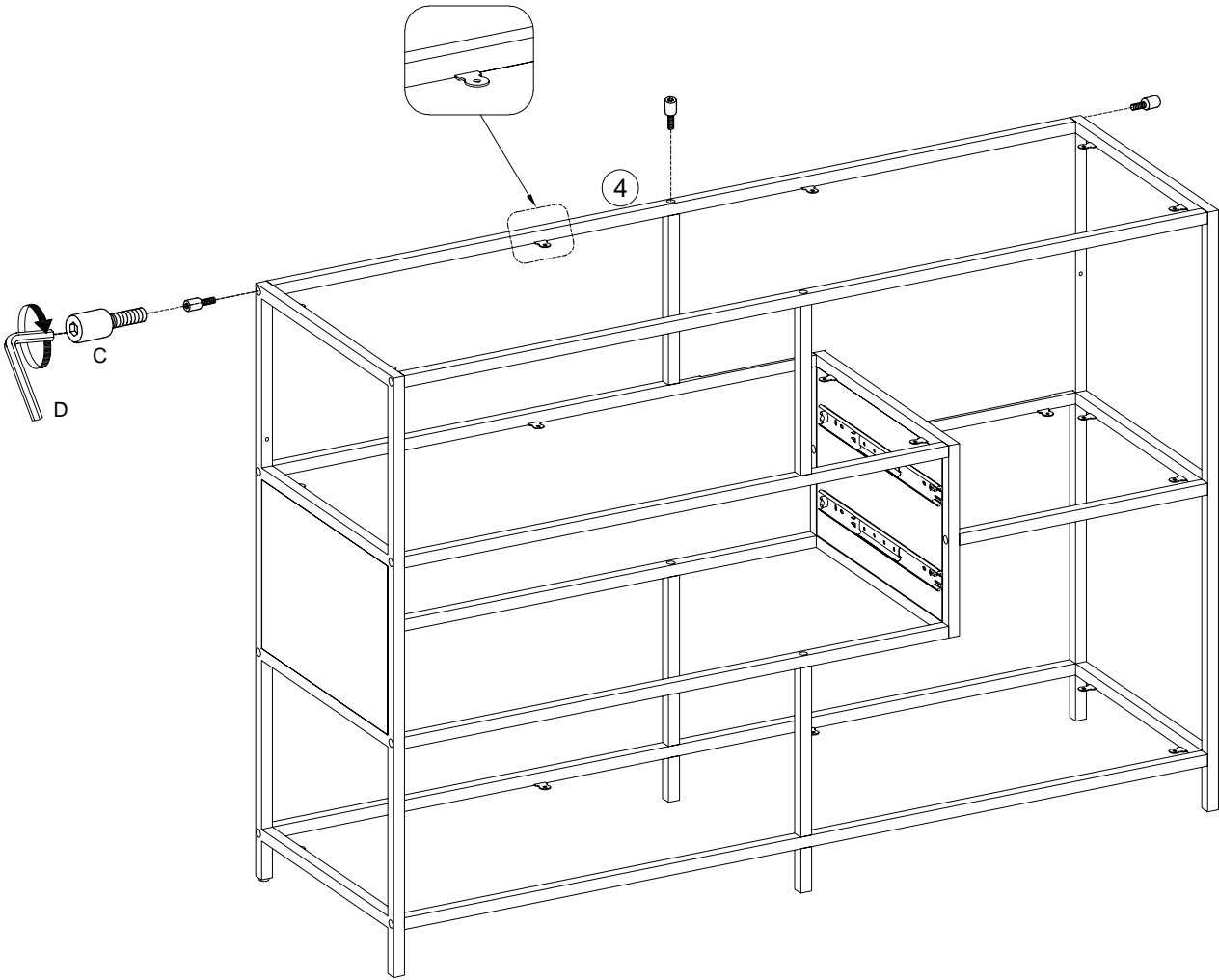
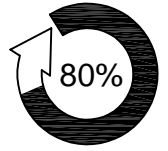
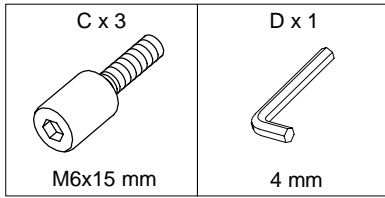
11

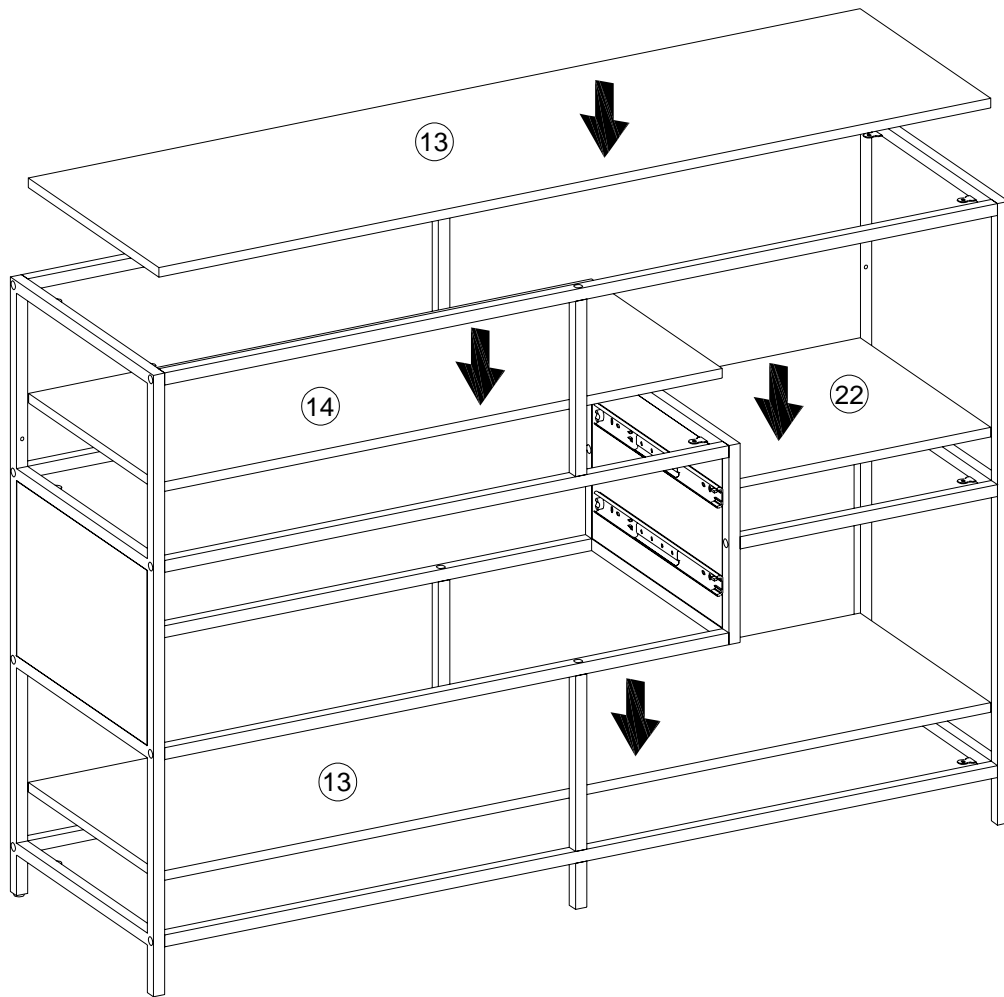


12

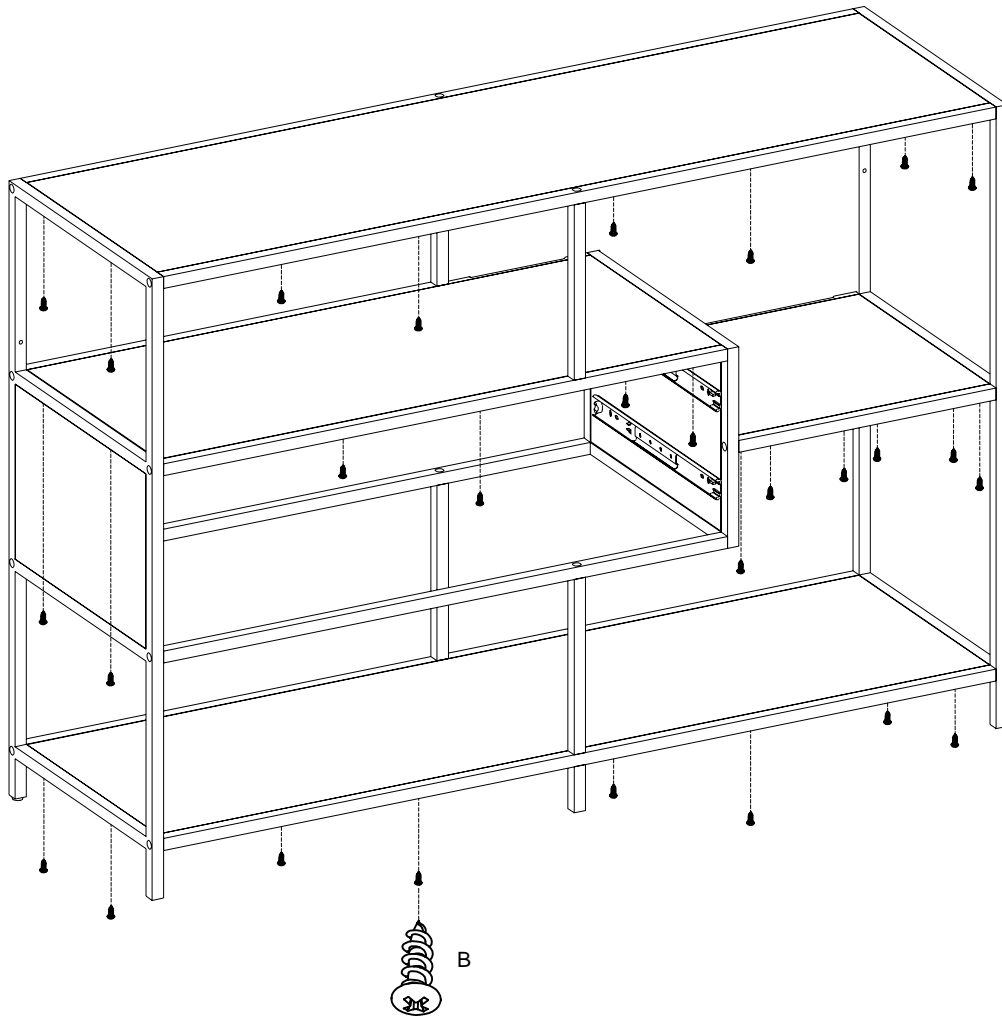
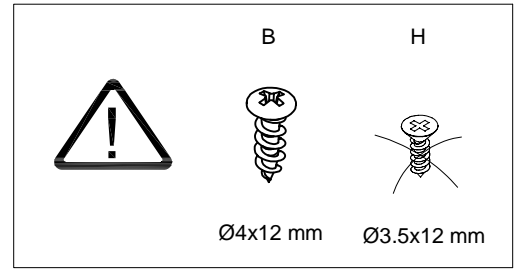
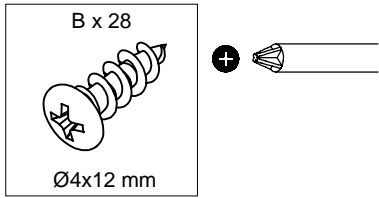


13

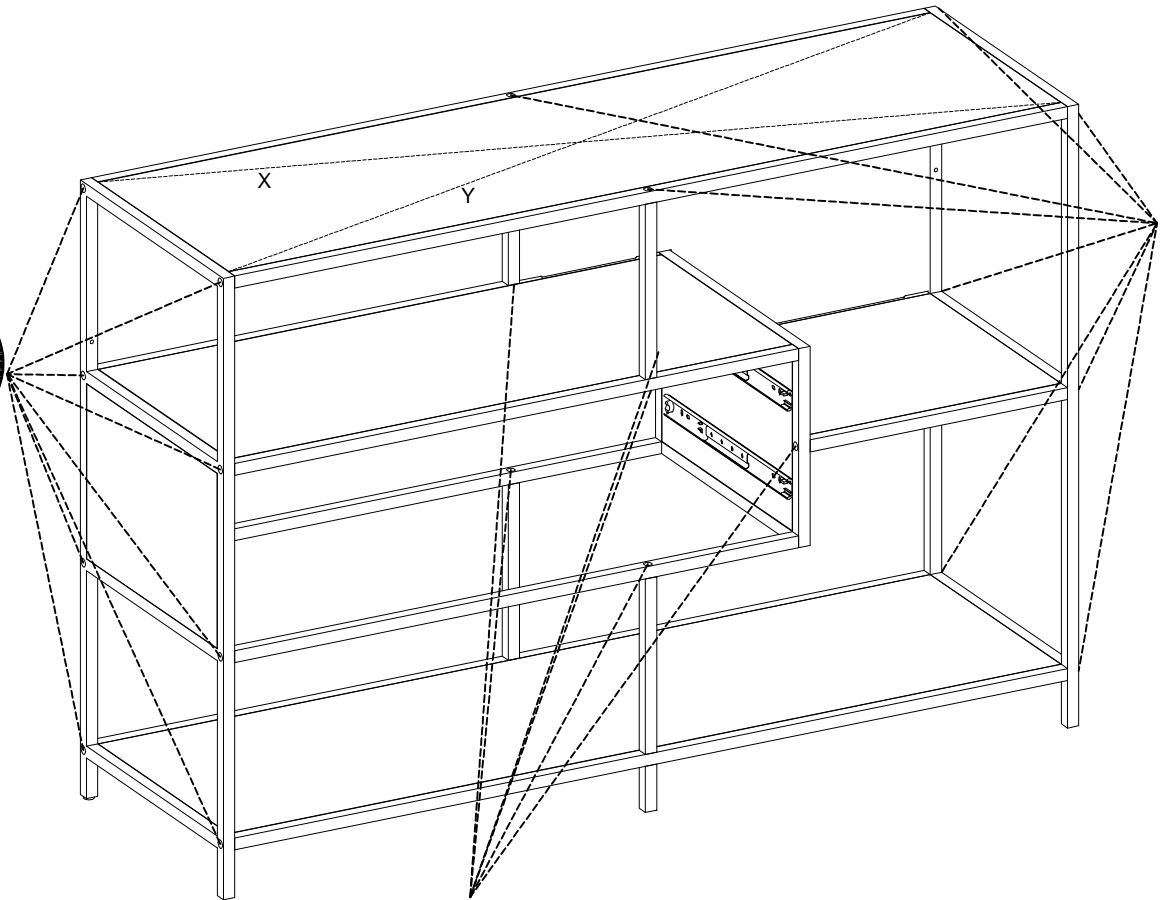
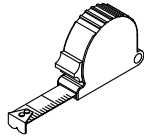
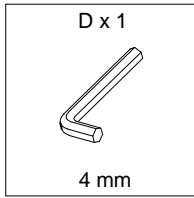




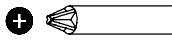
15



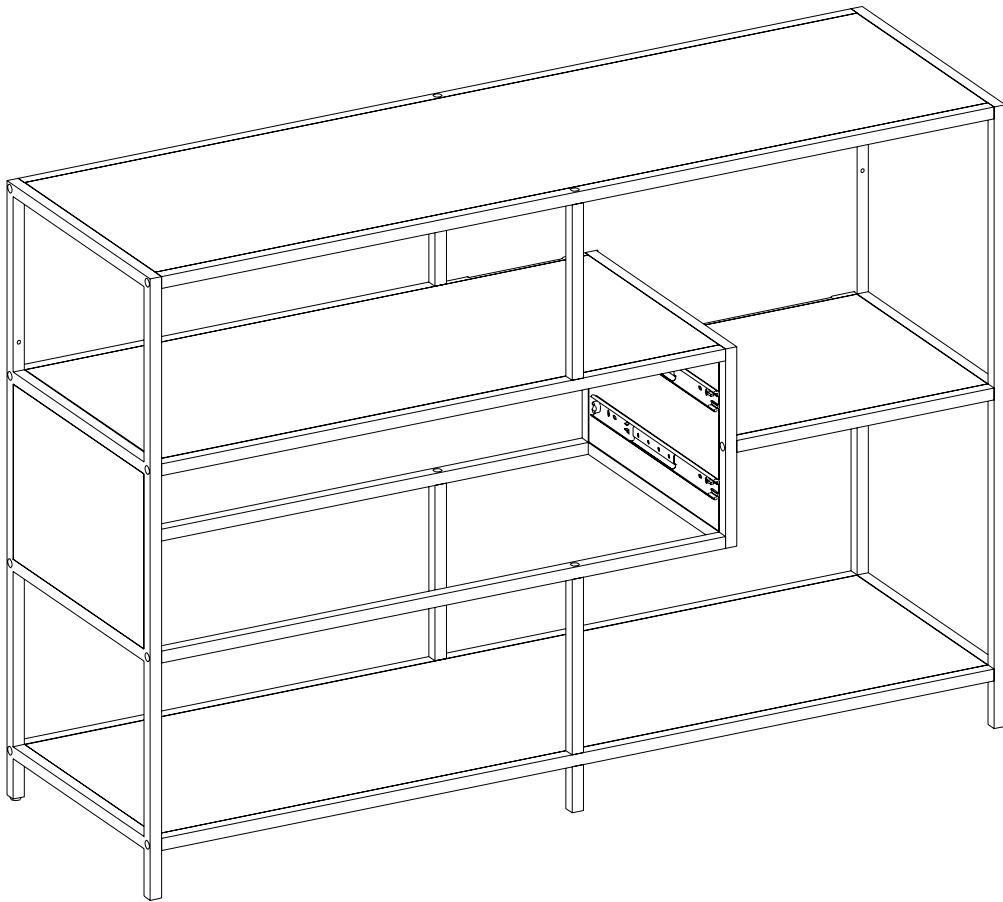
16



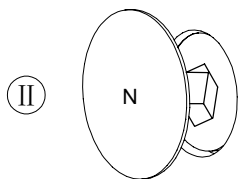
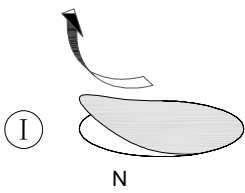
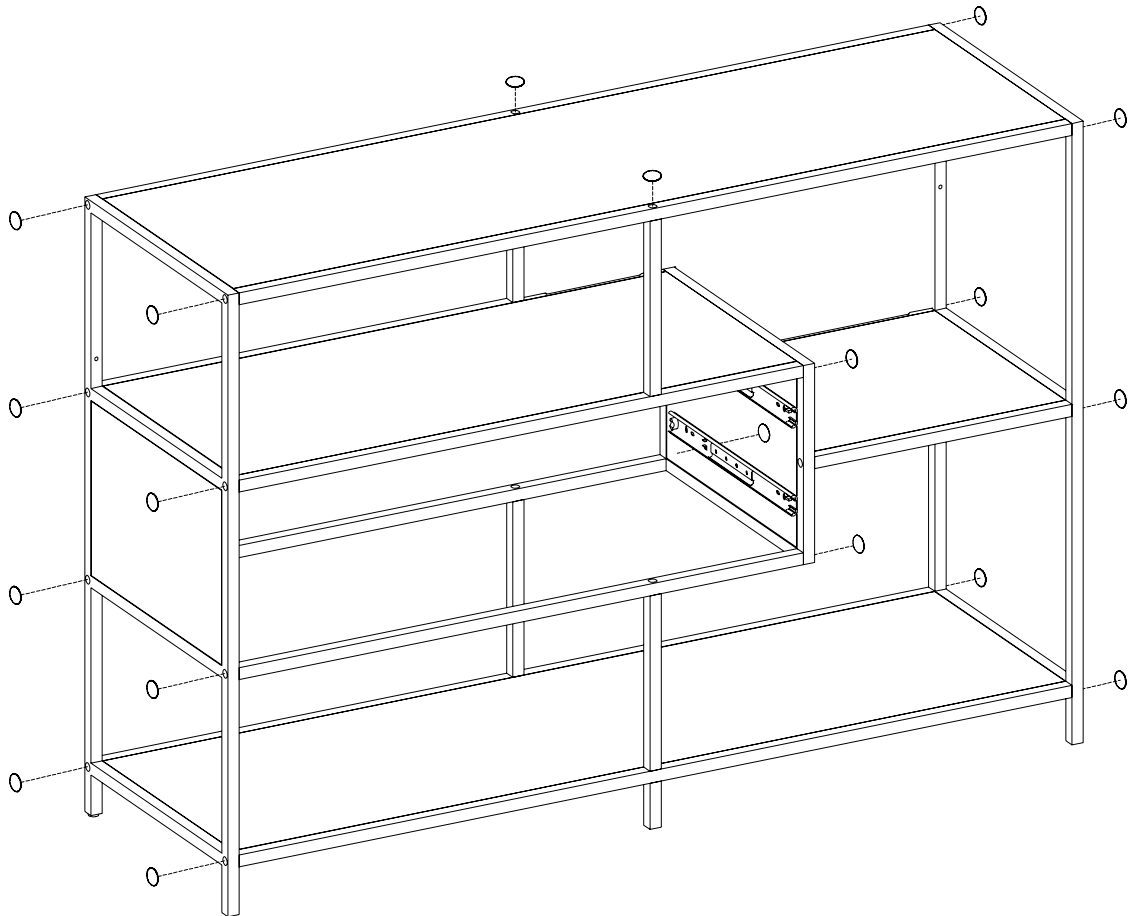
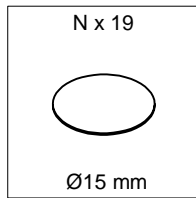
17



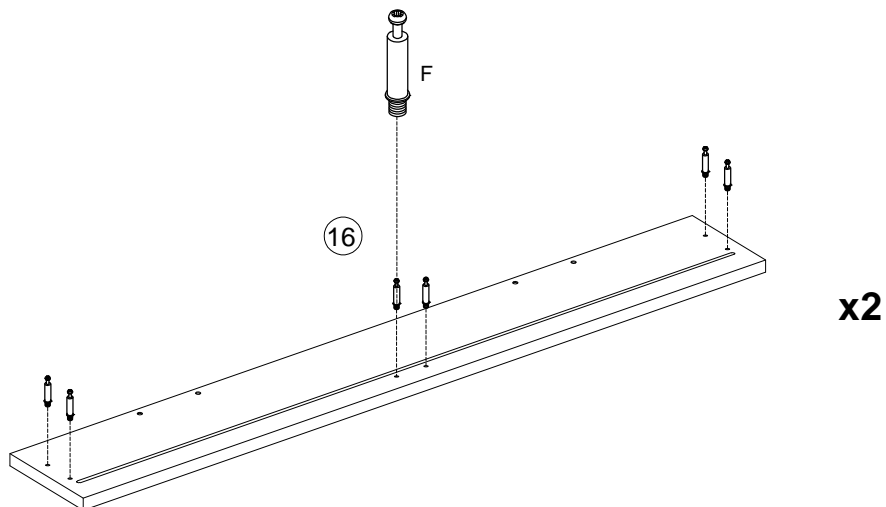
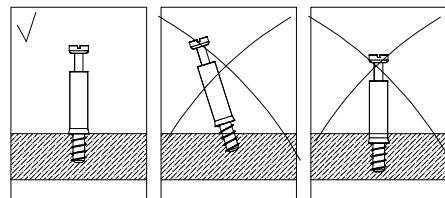
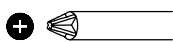
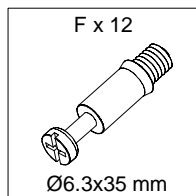
B×28



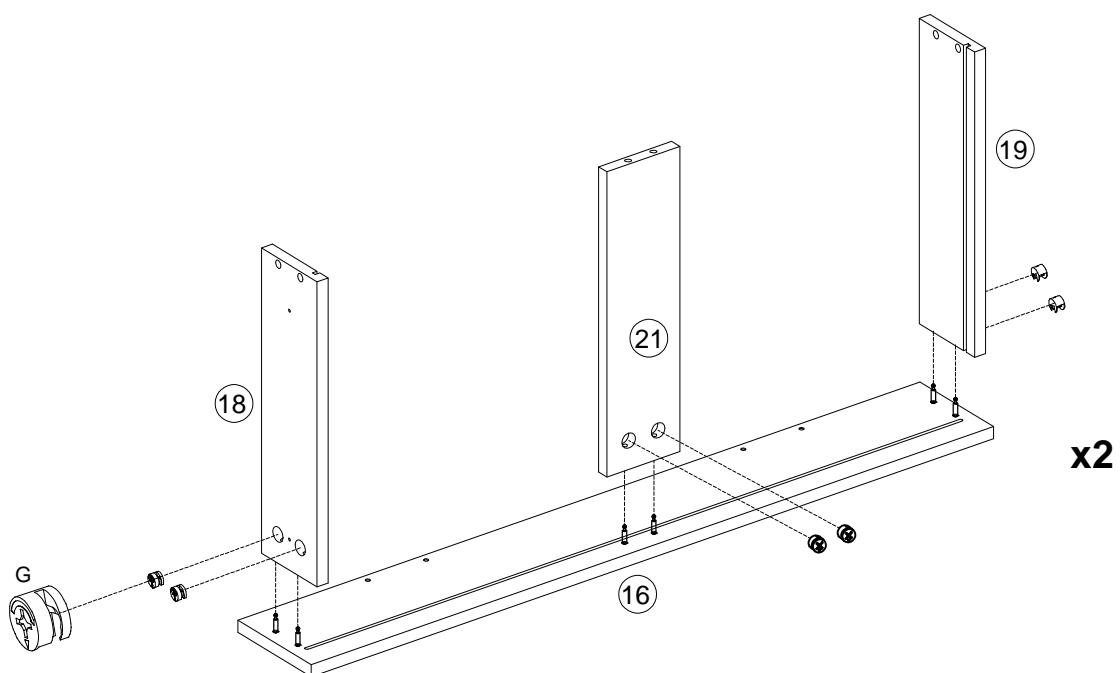
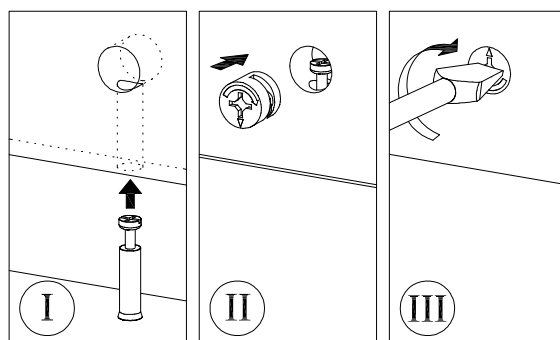
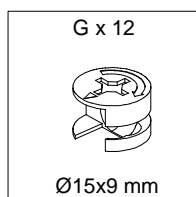
18



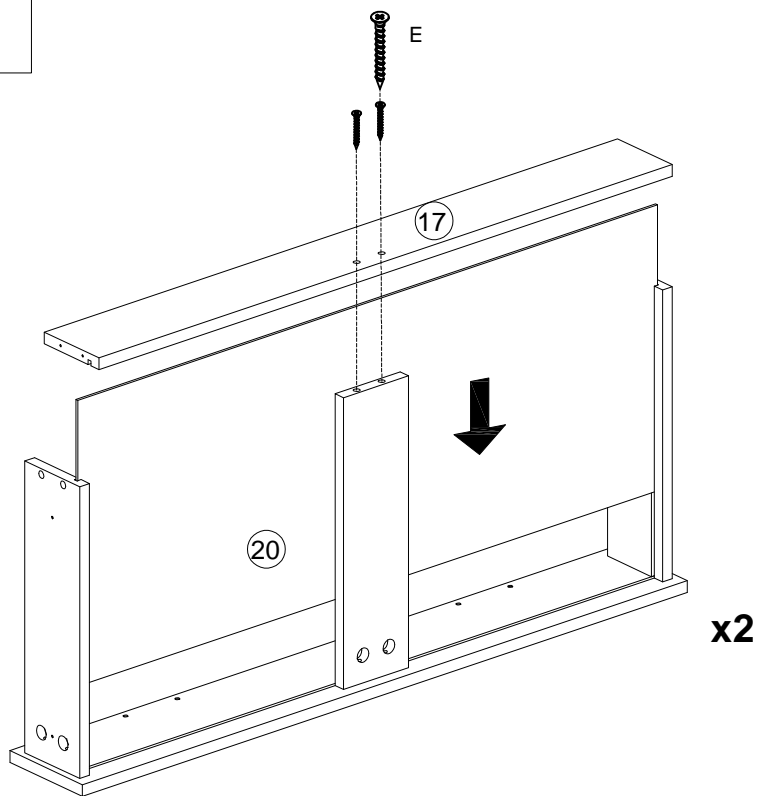
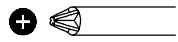
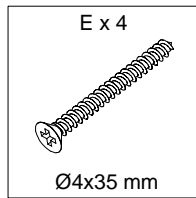
19



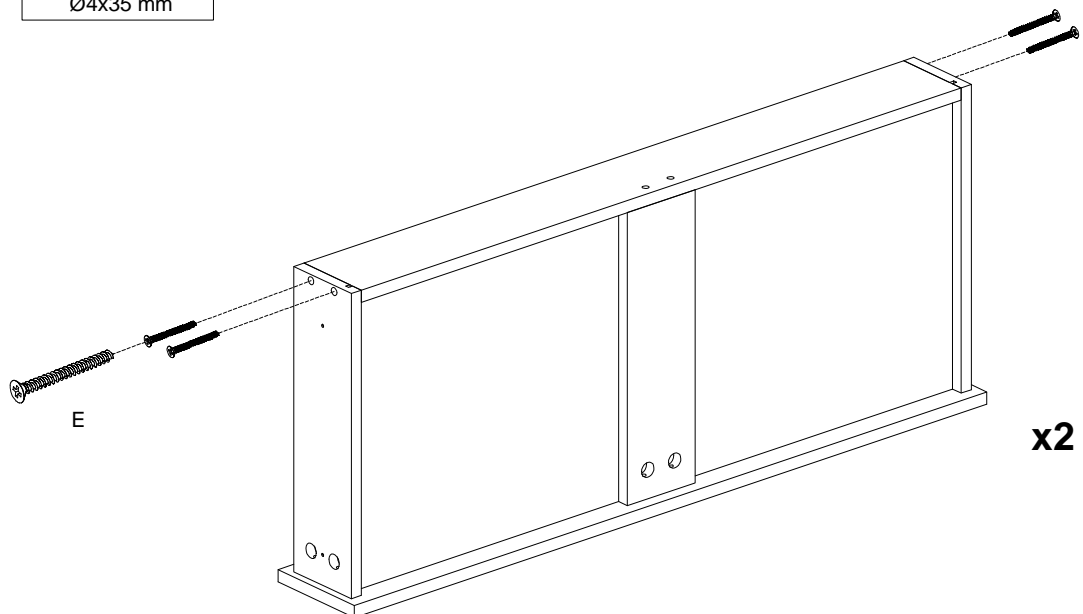
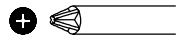
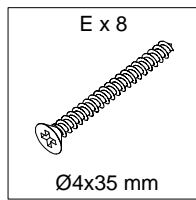
20



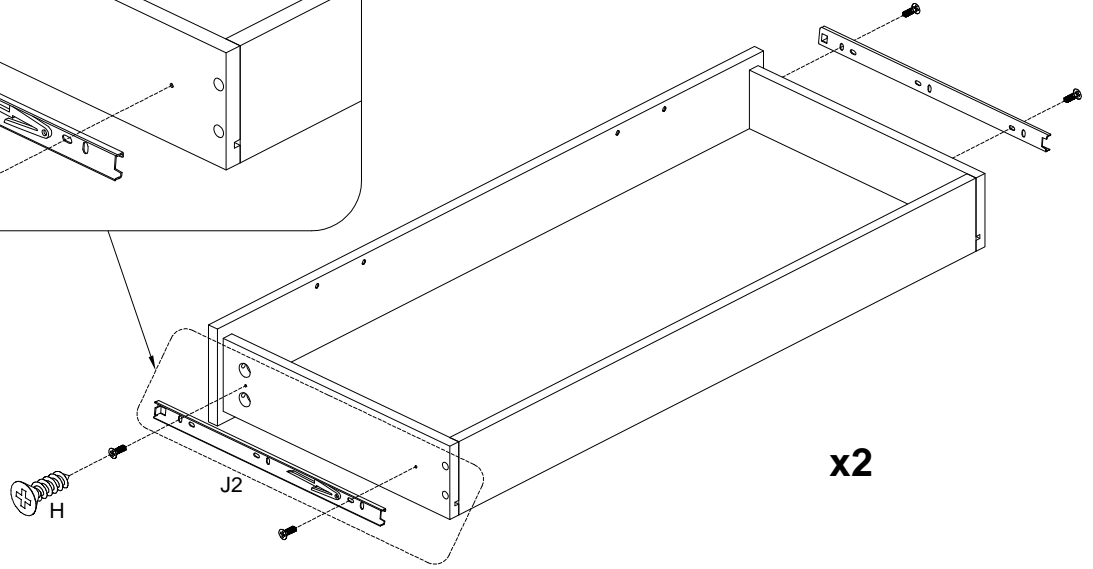
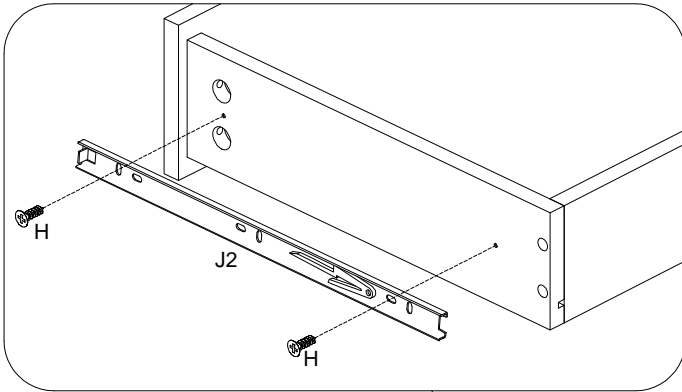
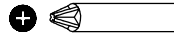
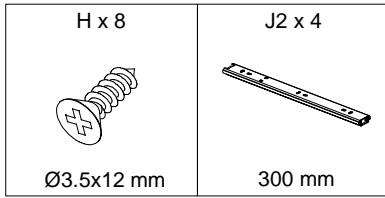
21



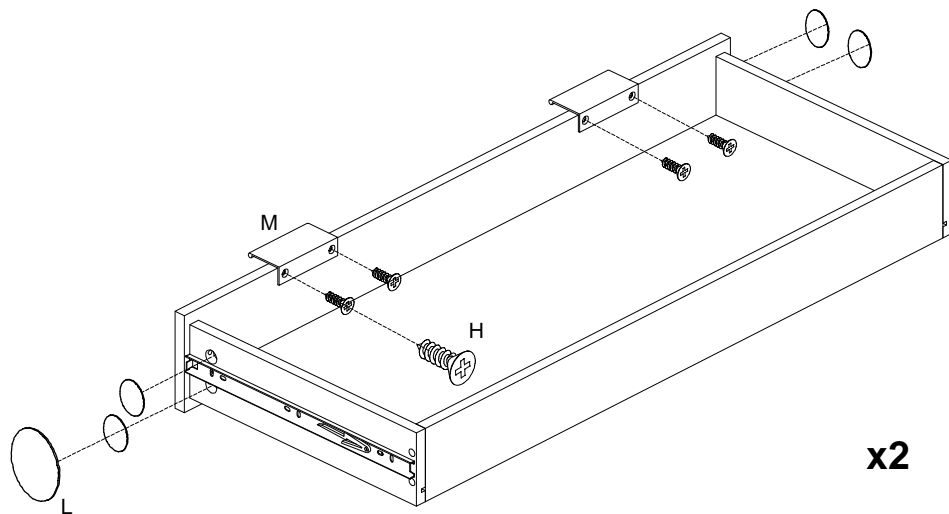
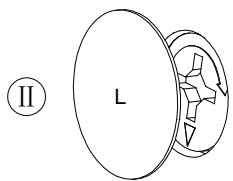
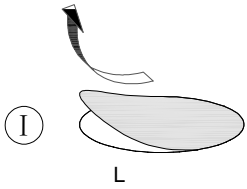
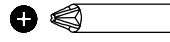
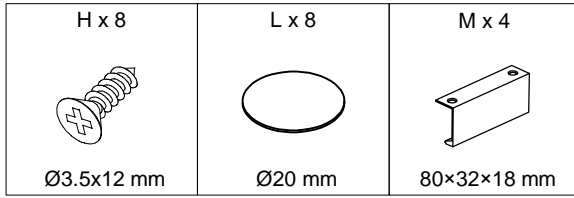
22



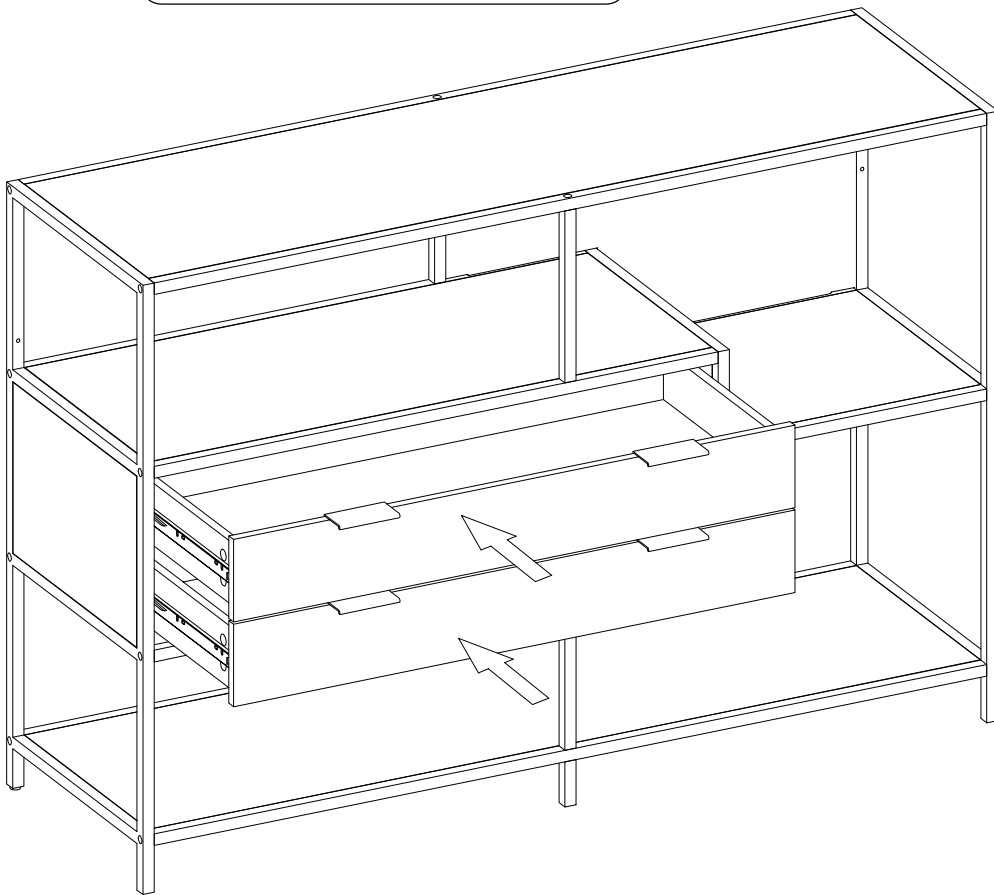
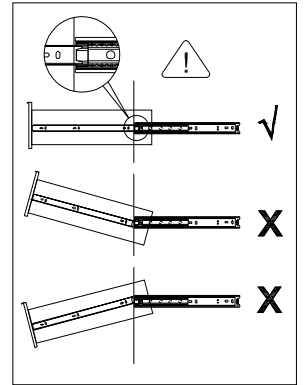
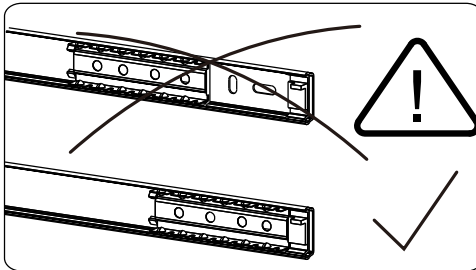
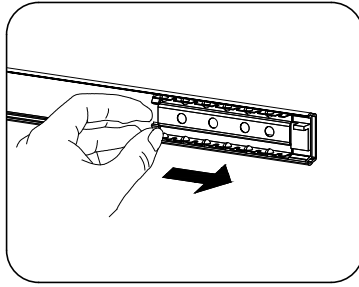
23



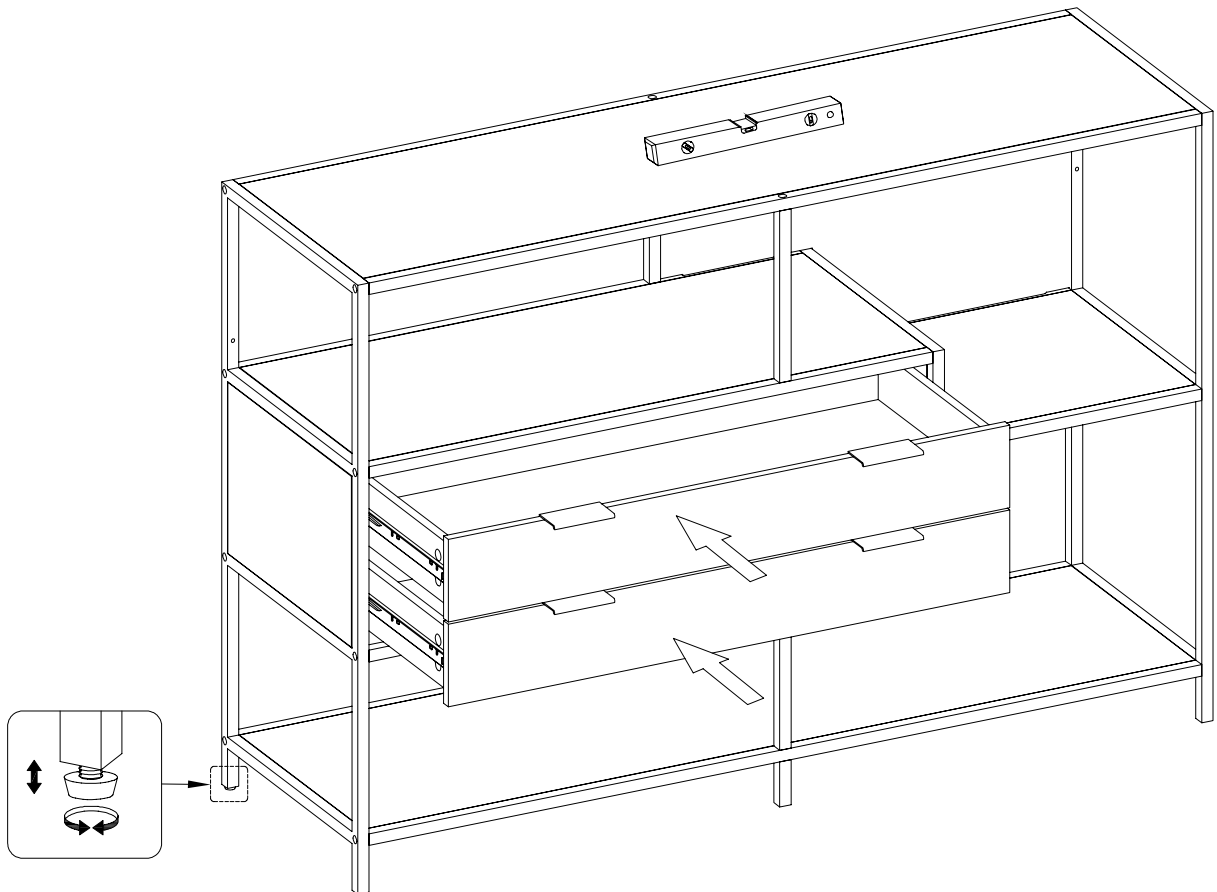
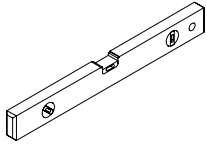
24



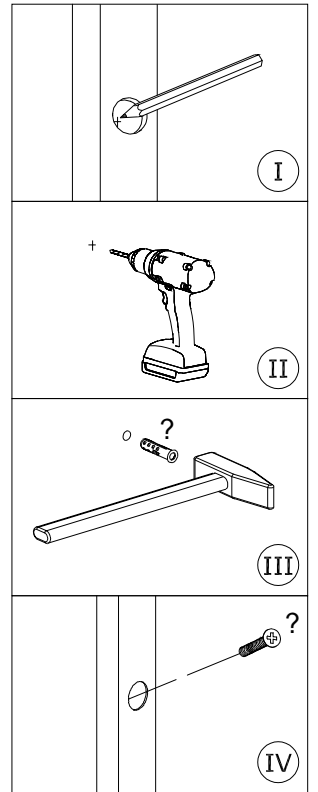
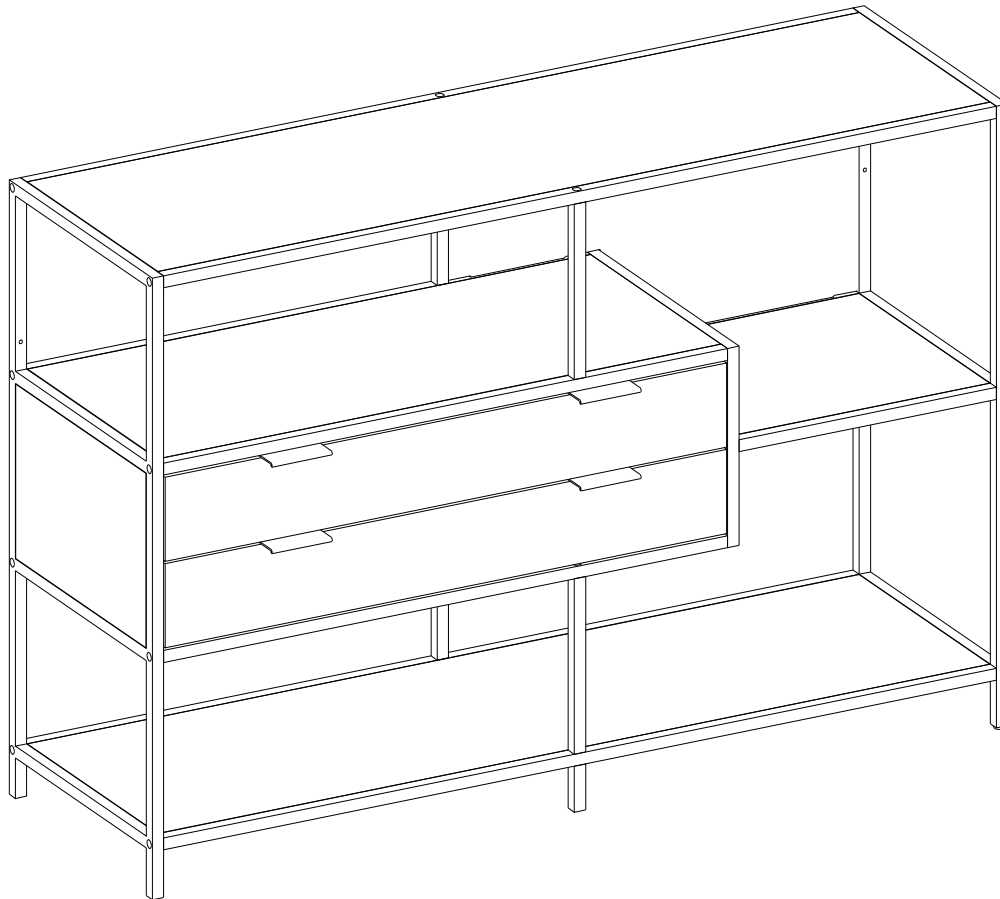
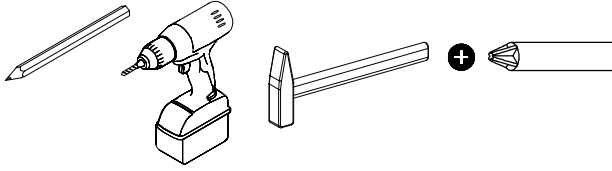
25



26



27



28

