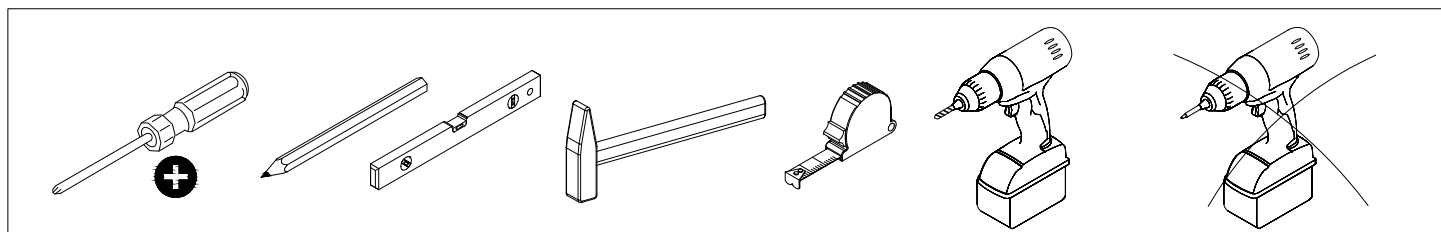
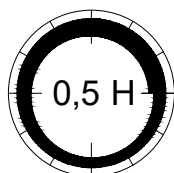
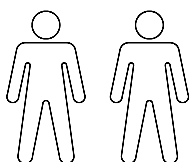
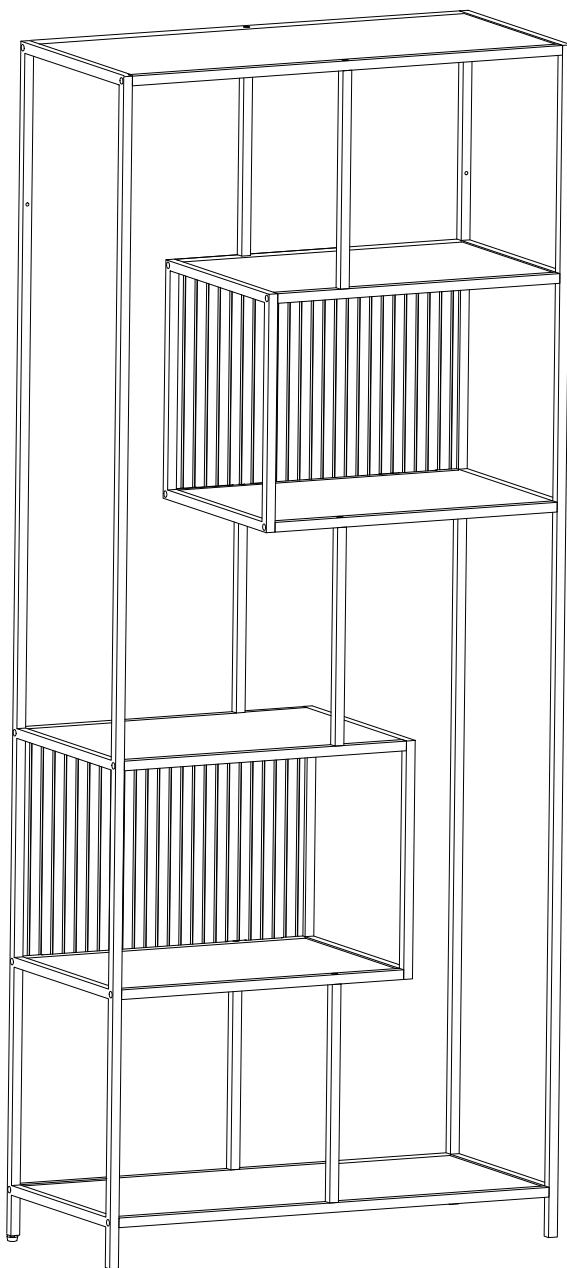
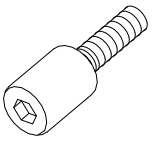
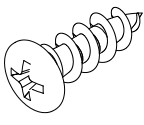
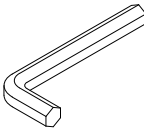
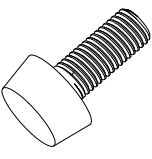
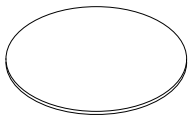
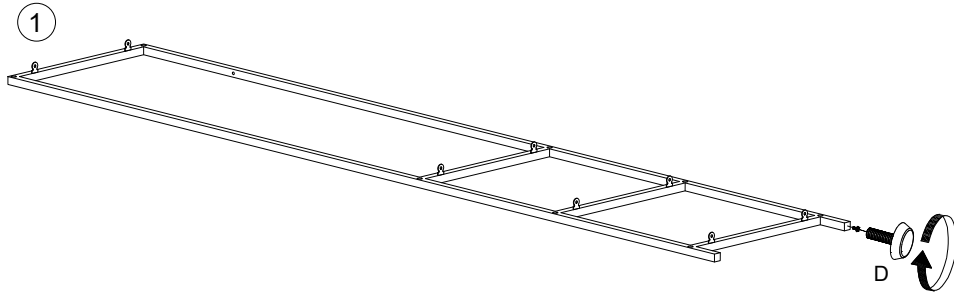
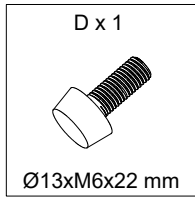


SEAFORD

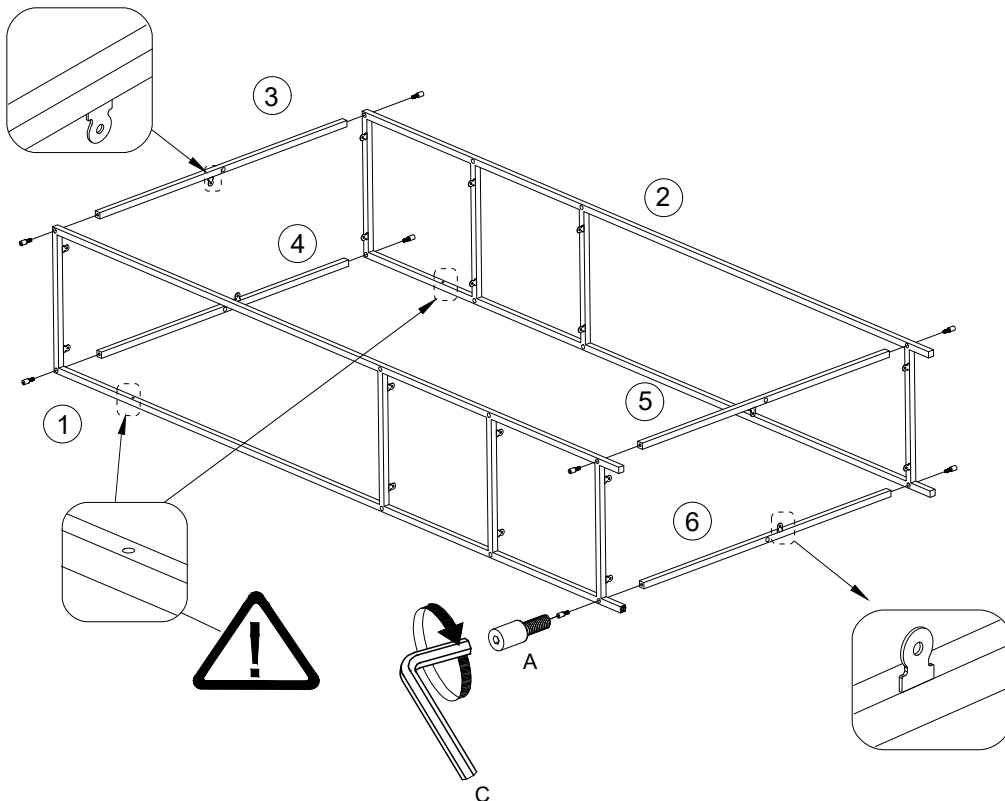
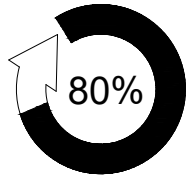
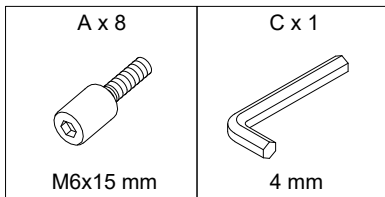


<p>A x 36</p>  <p>M6x15 mm</p>	<p>B x 28</p>  <p>Ø4x12 mm</p>	<p>C x 1</p>  <p>4 mm</p>	<p>D x 1</p>  <p>Ø13xM6x22 mm</p>	<p>E x 28</p>  <p>Ø15 mm</p>
---	---	--	--	---

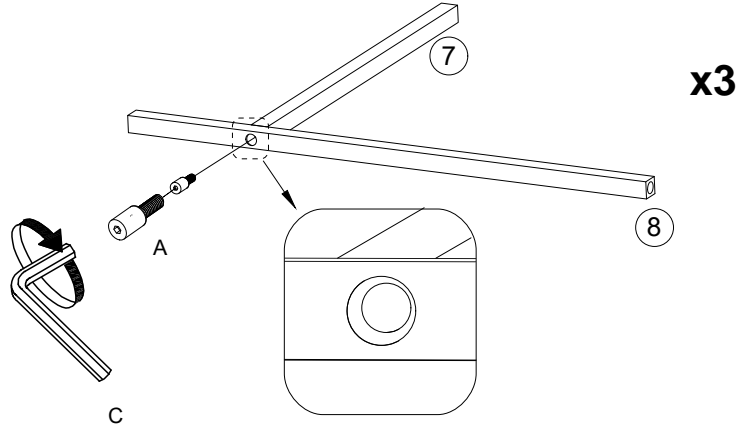
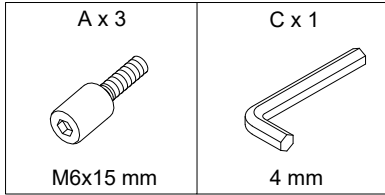
1



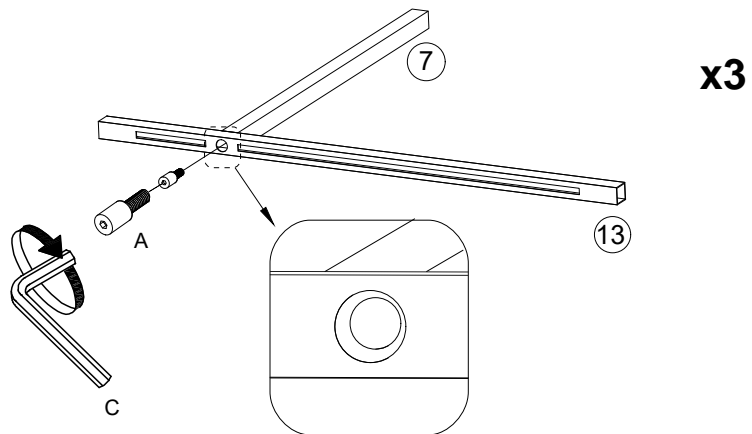
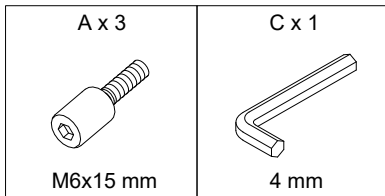
2



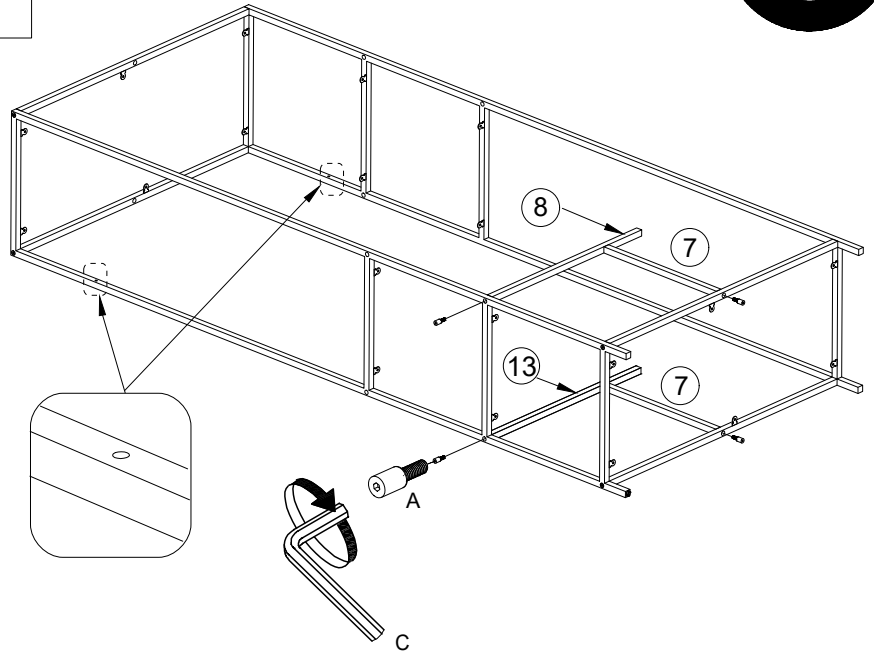
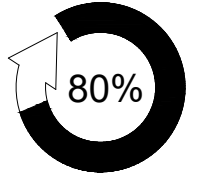
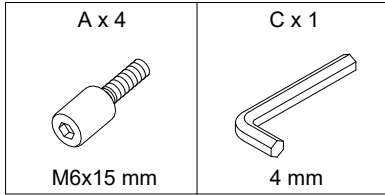
3



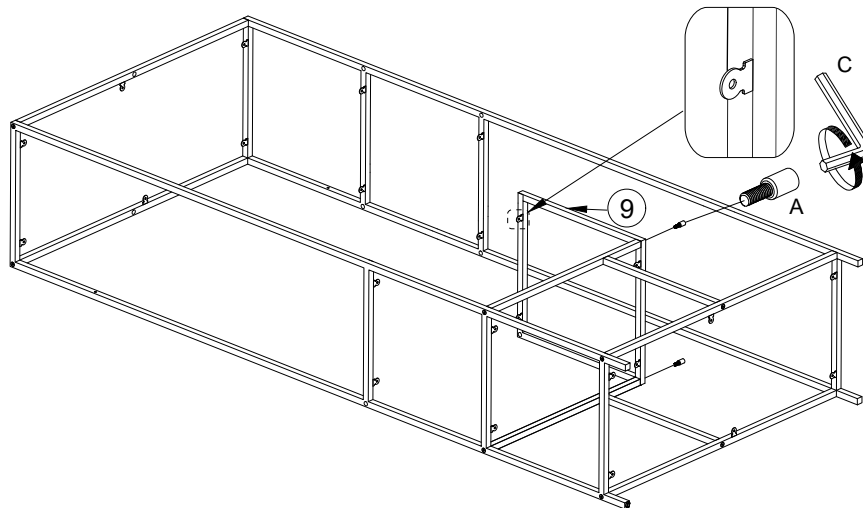
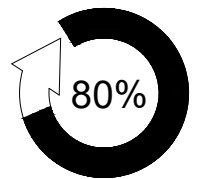
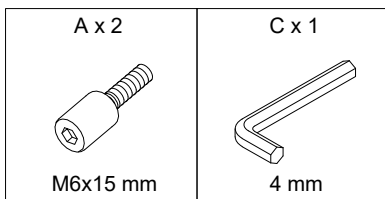
4



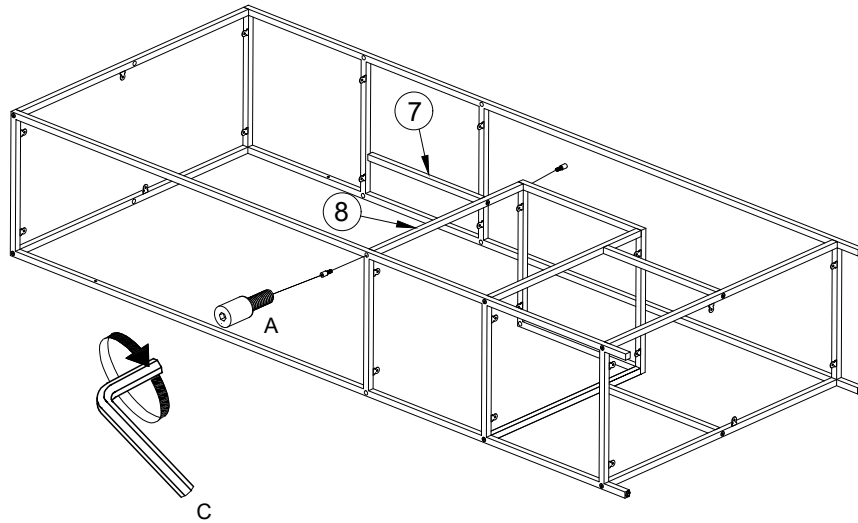
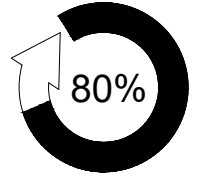
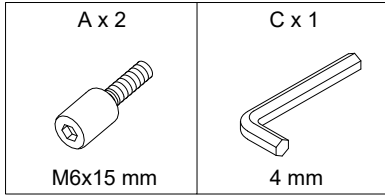
5



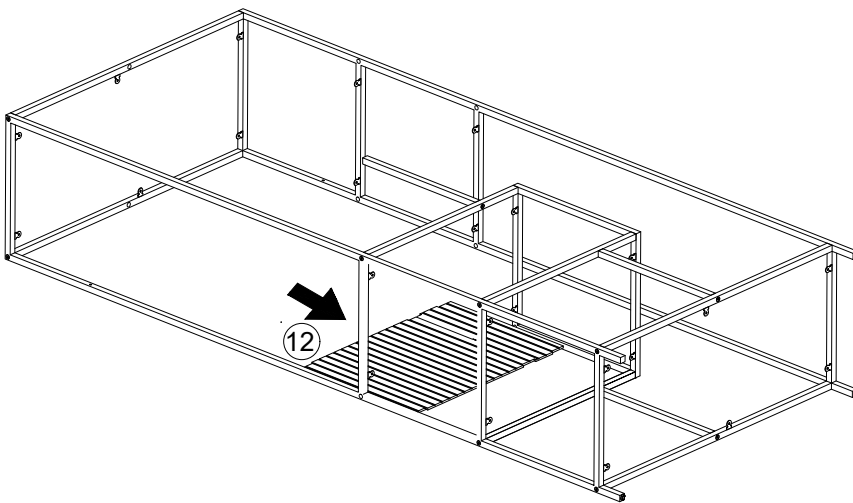
6



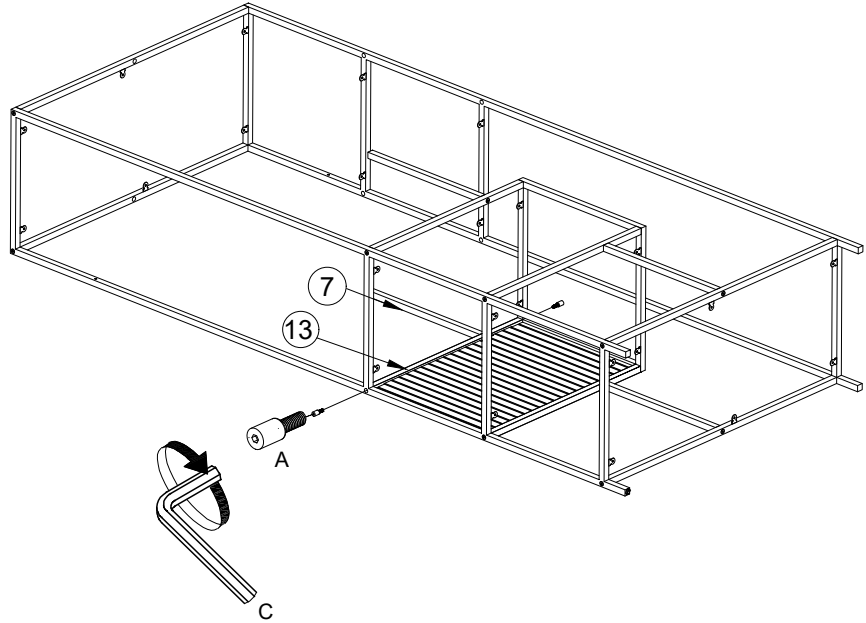
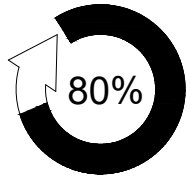
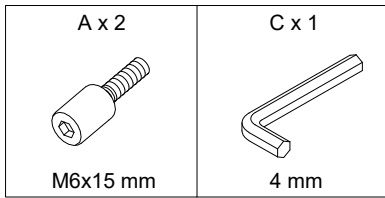
7



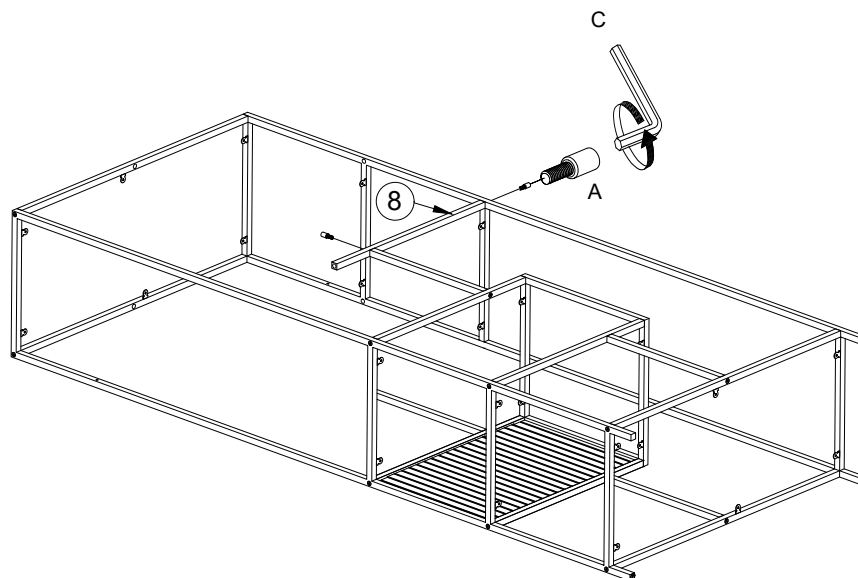
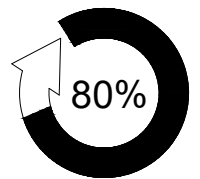
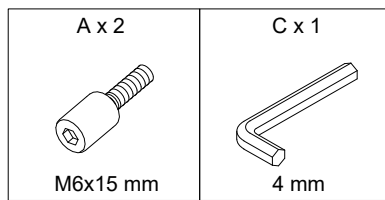
8



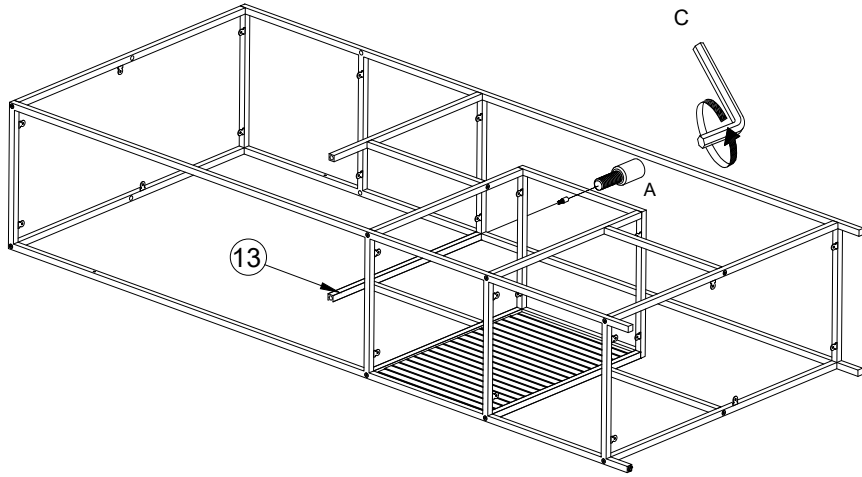
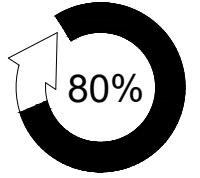
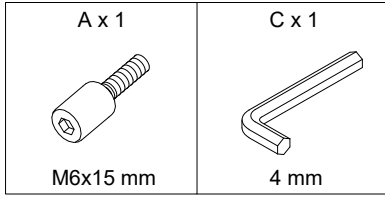
9



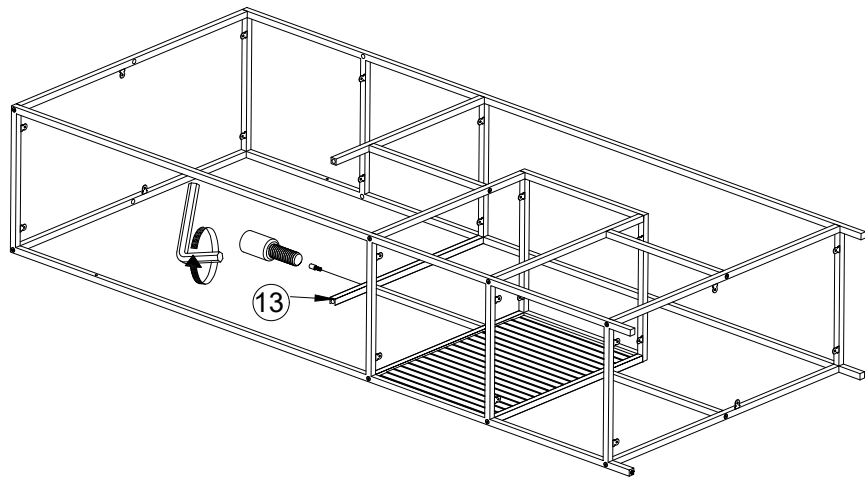
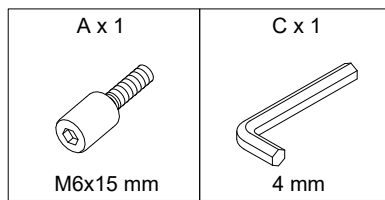
10



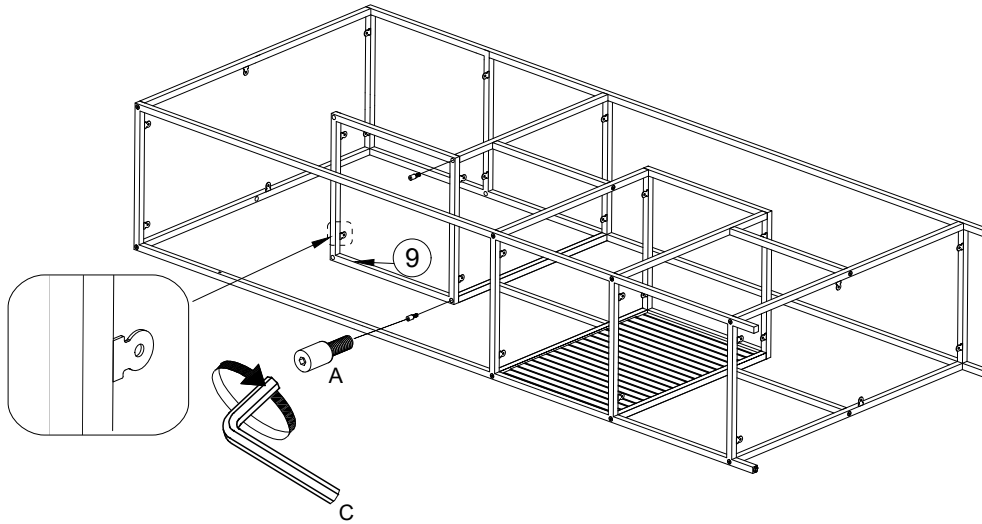
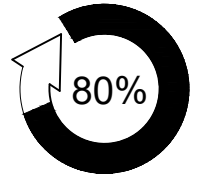
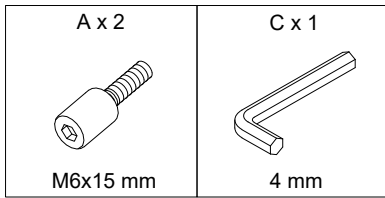
11



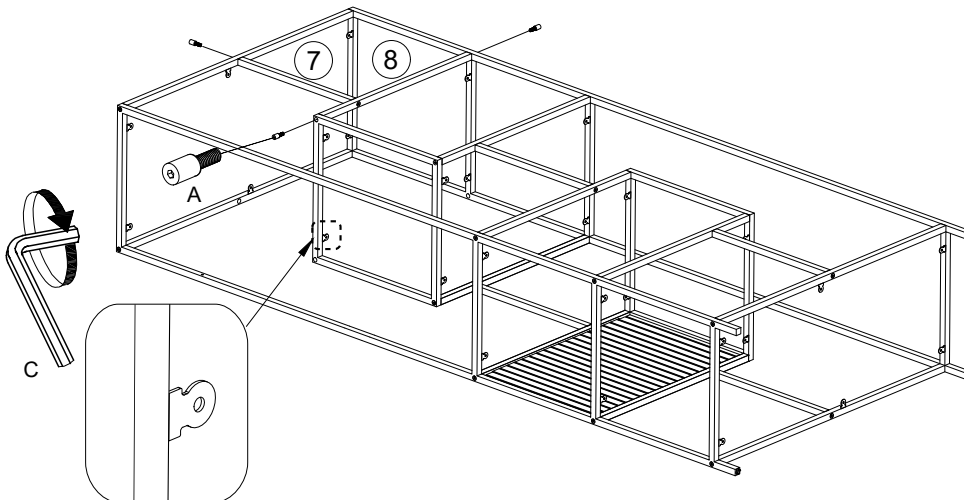
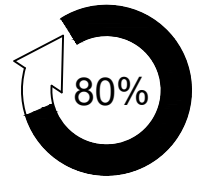
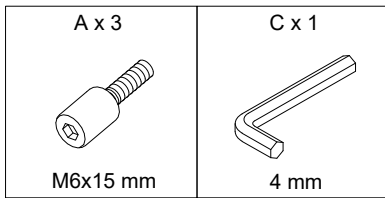
12



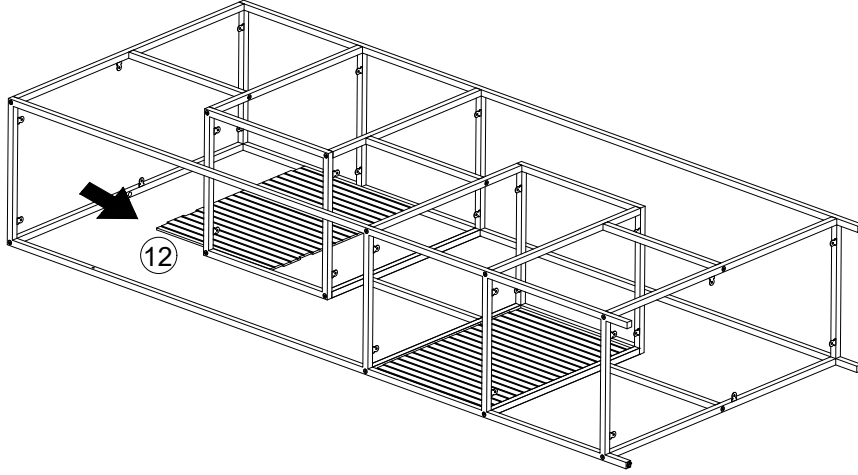
13



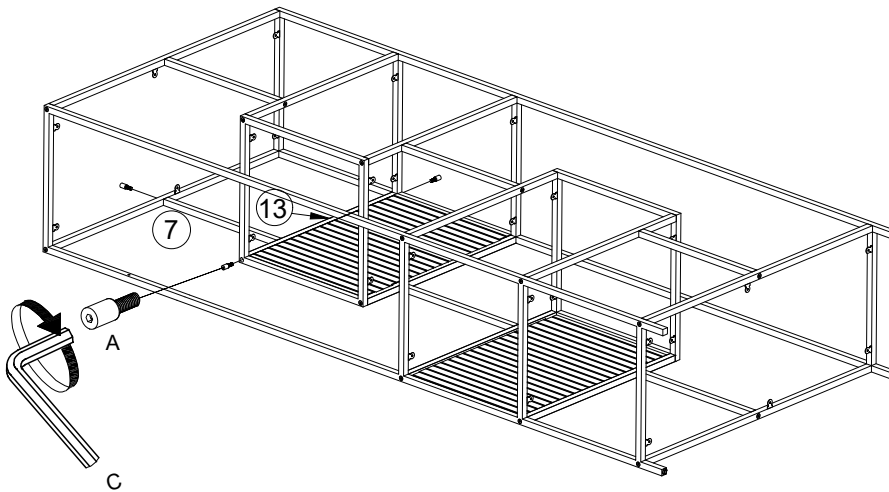
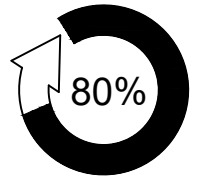
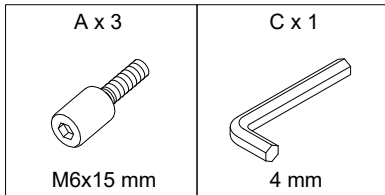
14



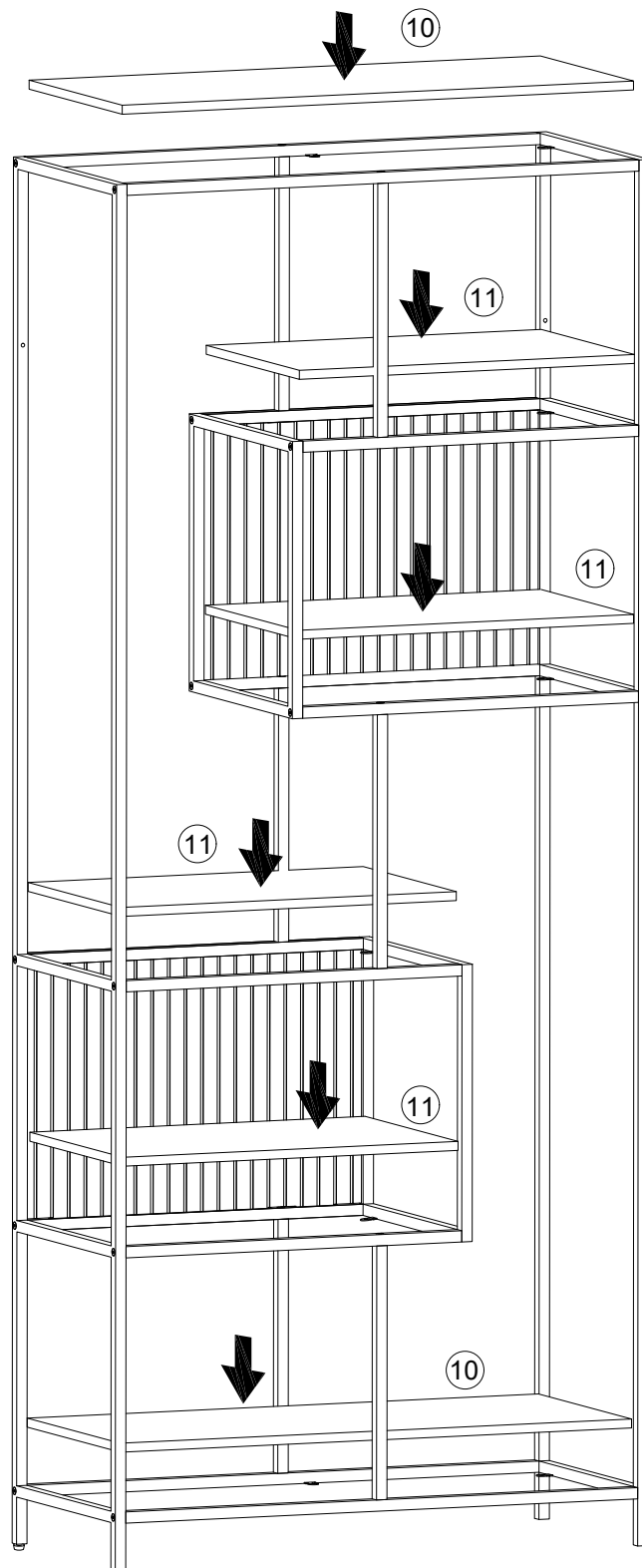
15



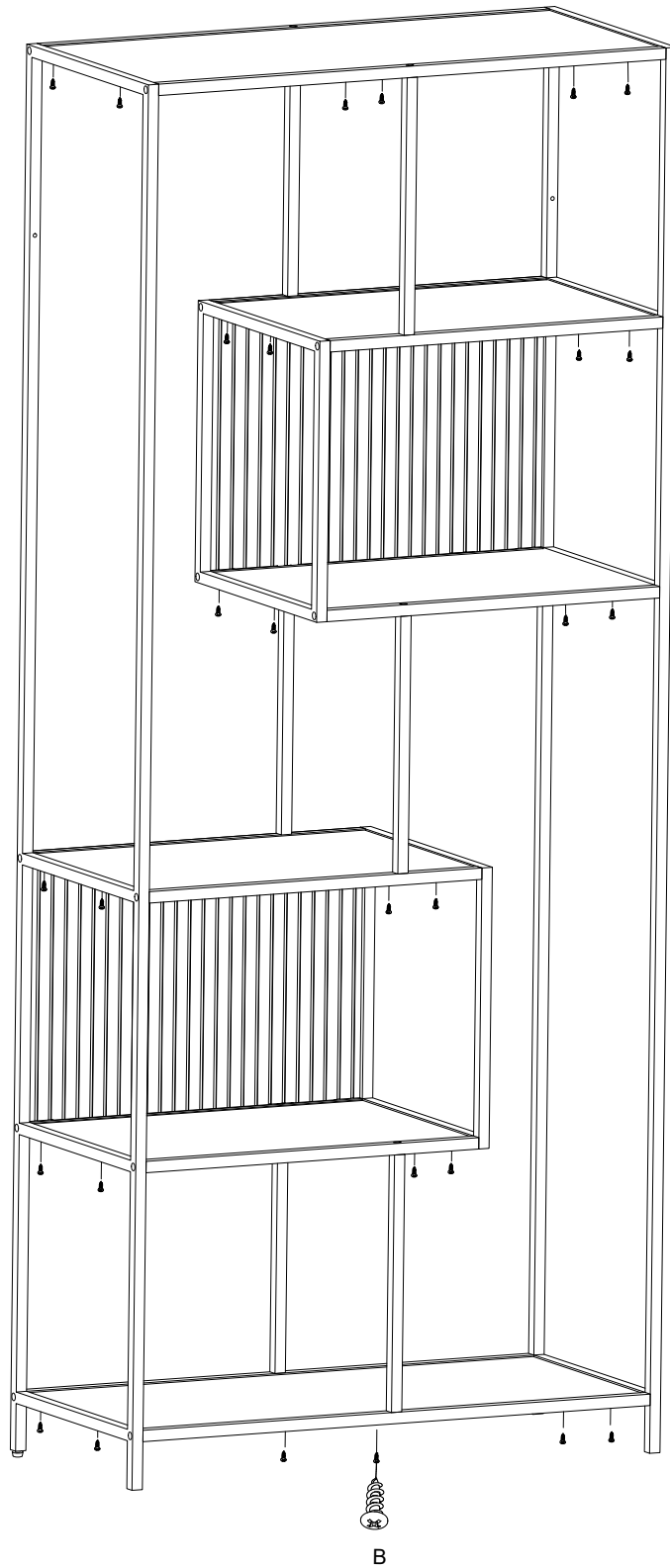
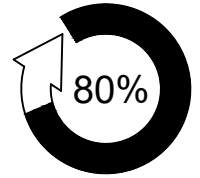
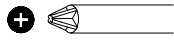
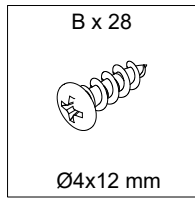
16



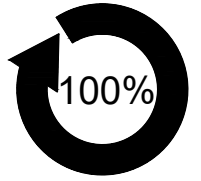
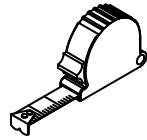
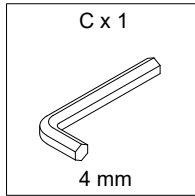
17



18

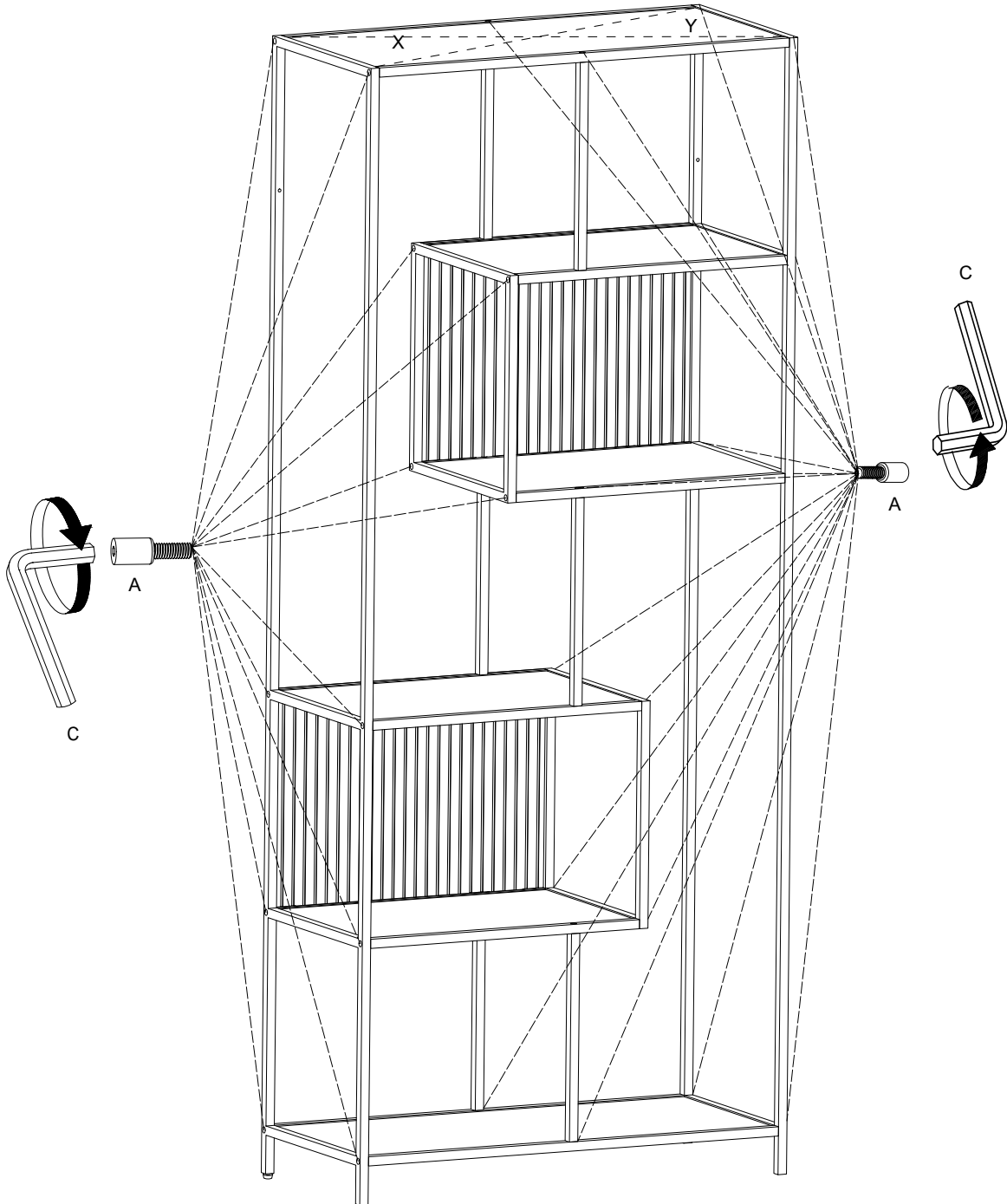


19

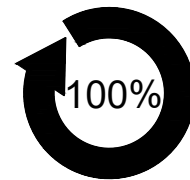
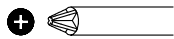


Ax29

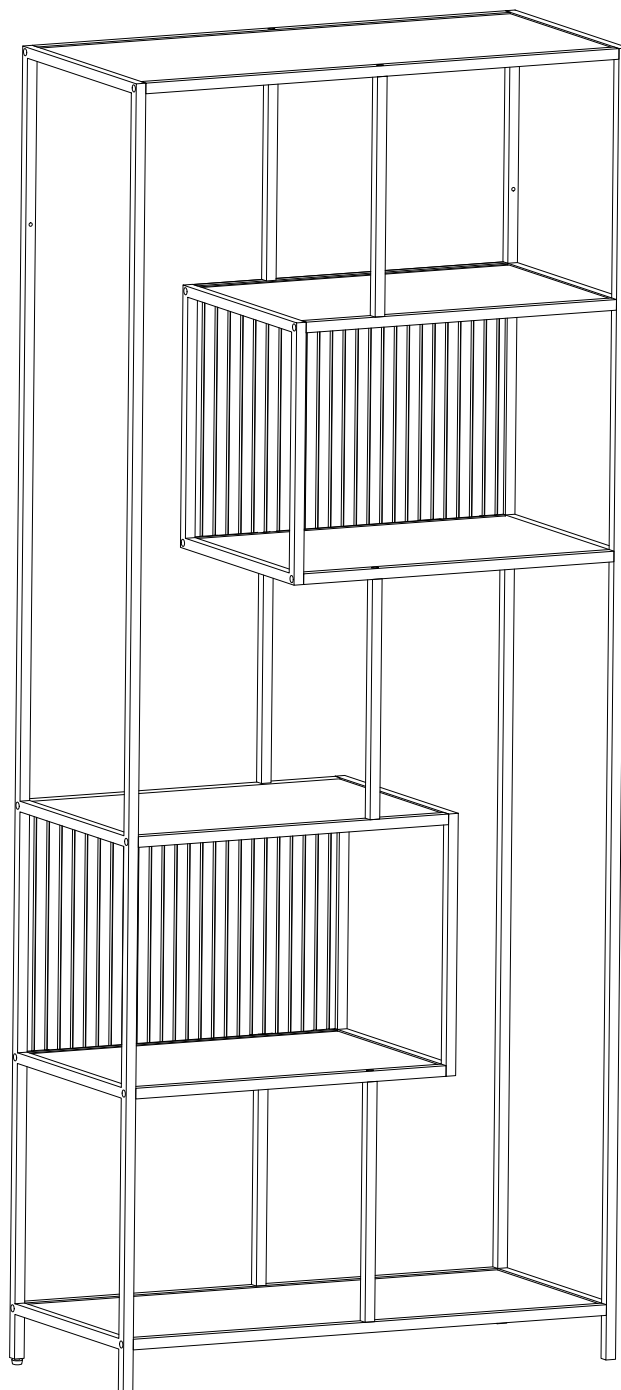
X=Y



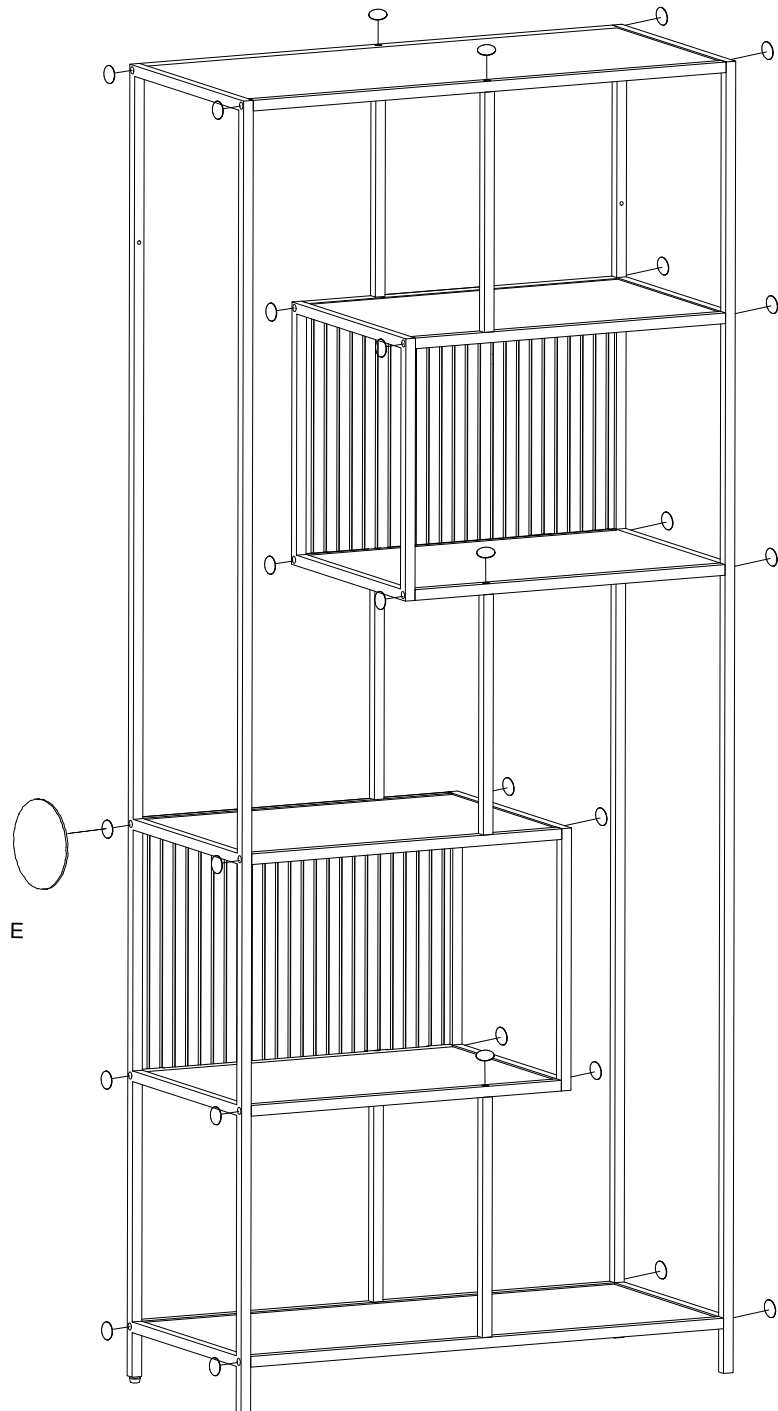
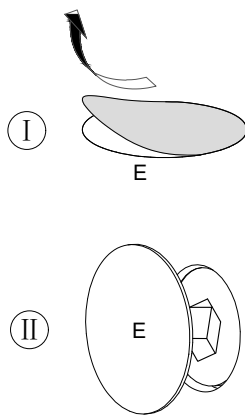
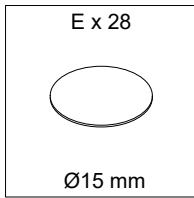
20



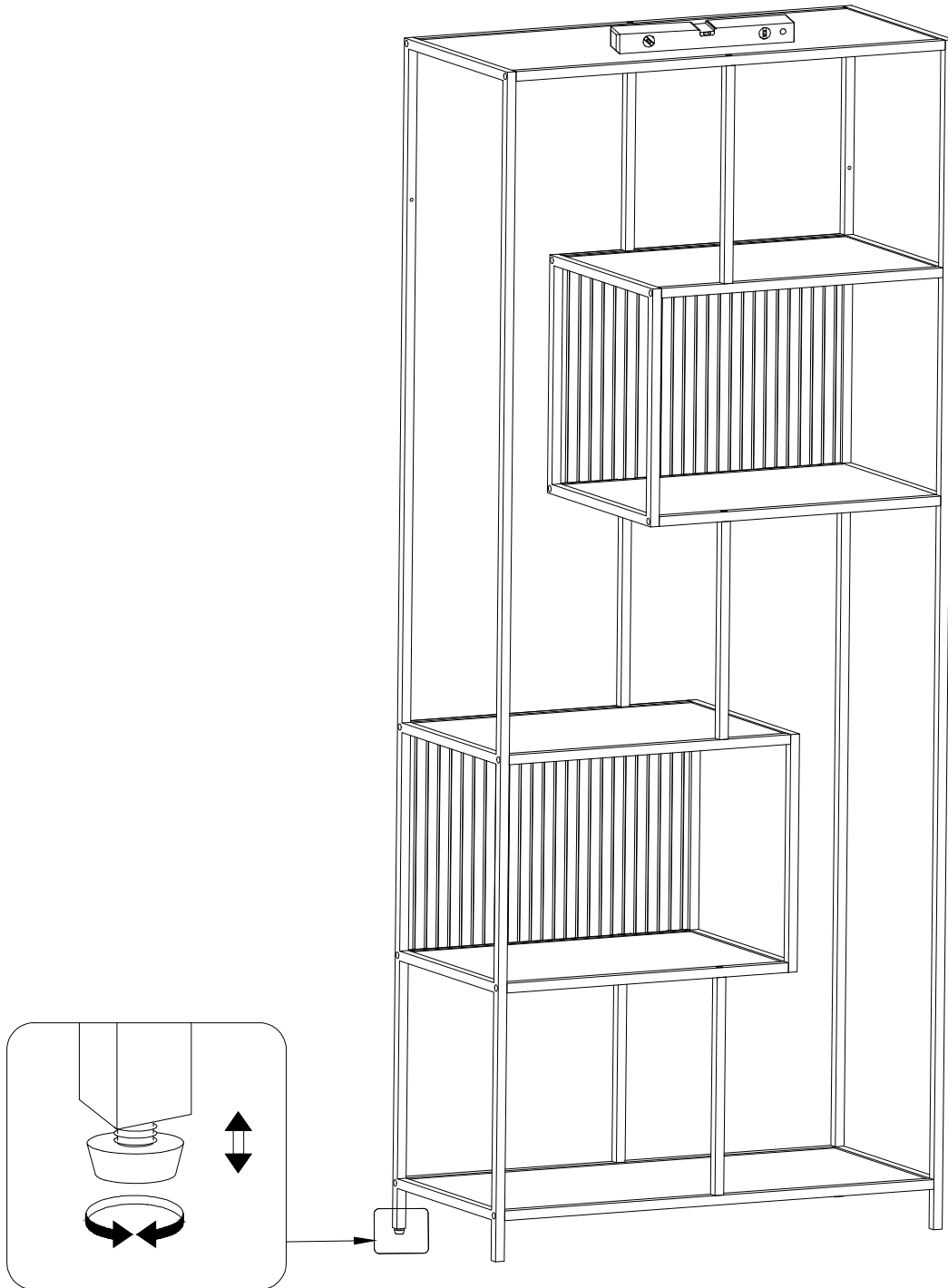
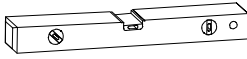
Bx28



21



22



23

