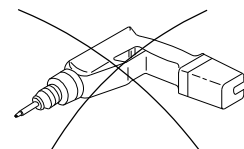
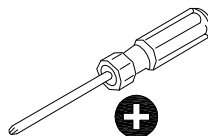
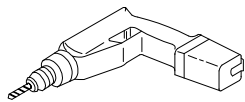
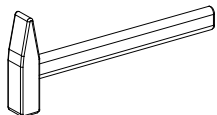
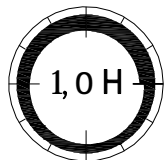
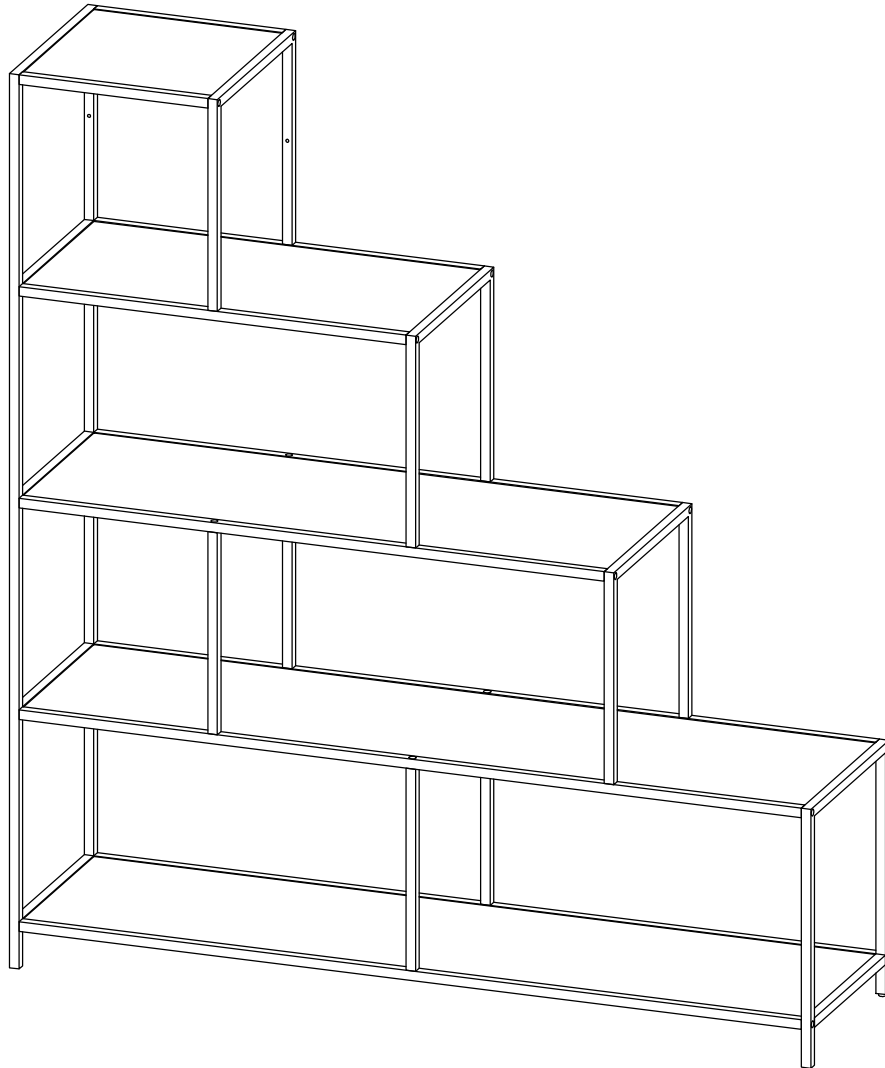
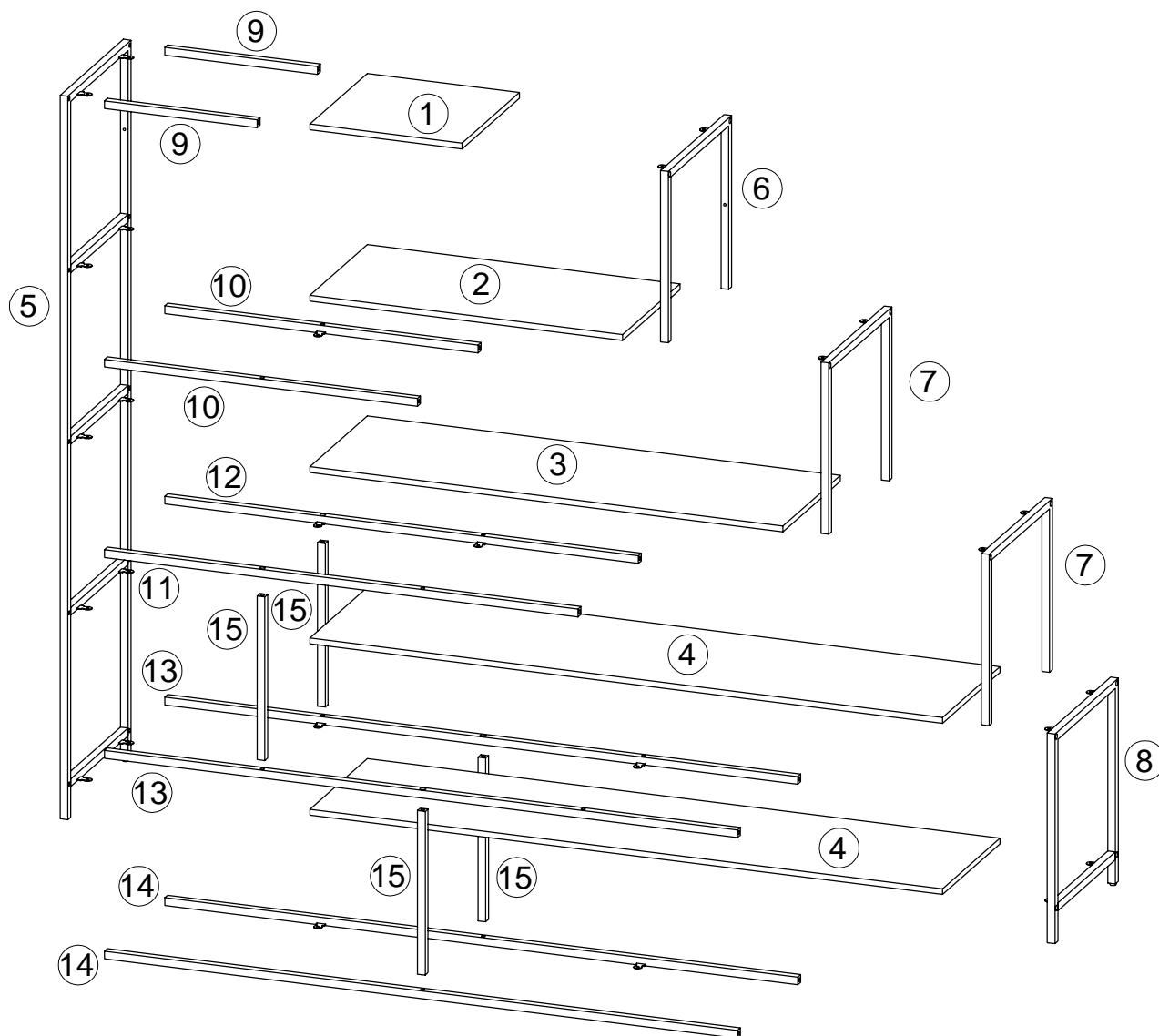


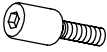

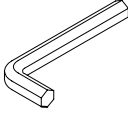

Seaford



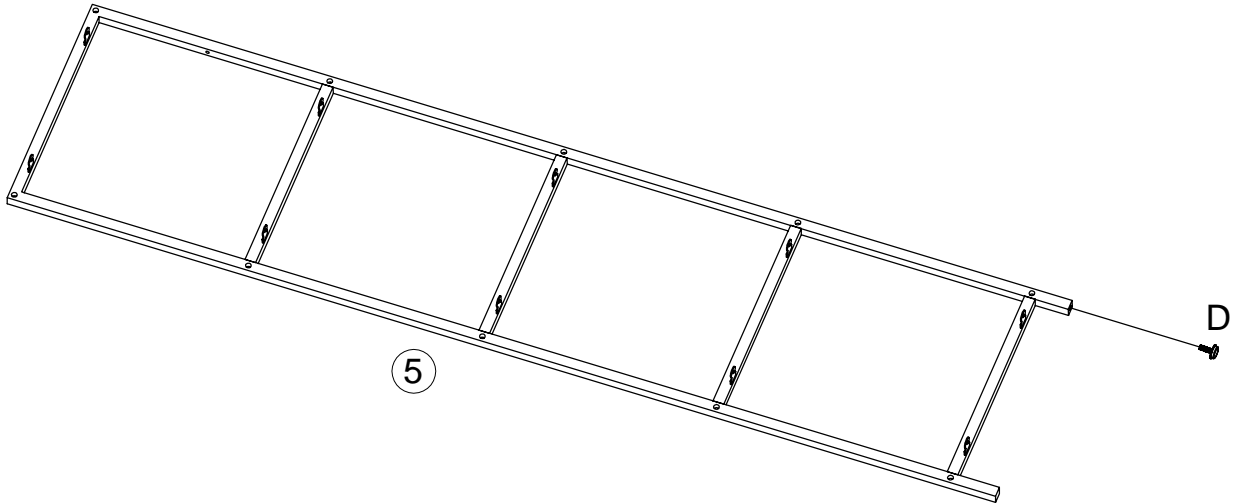
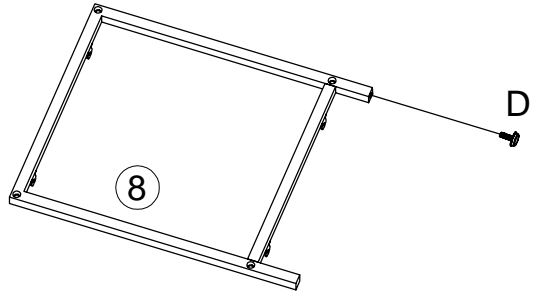
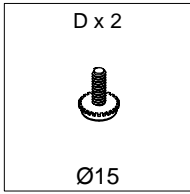
09/08/2021

			✓			
①	1	317×317×12		⑩	2	652×16×16/42
②	1	651×317×12		⑪	1	986×16×16/42
③	1	985×317×12		⑫	1	986×16×16/42
④	2	1319×317×12		⑬	2	1320×16×16/42
⑤	1	1495×350×16/42		⑭	2	1320×16×16/42
⑥	1	354×350×16/42		⑮	4	338×16×16
⑦	2	354×350×16/42				
⑧	1	435×350×16/42				
⑨	2	318×16×16				

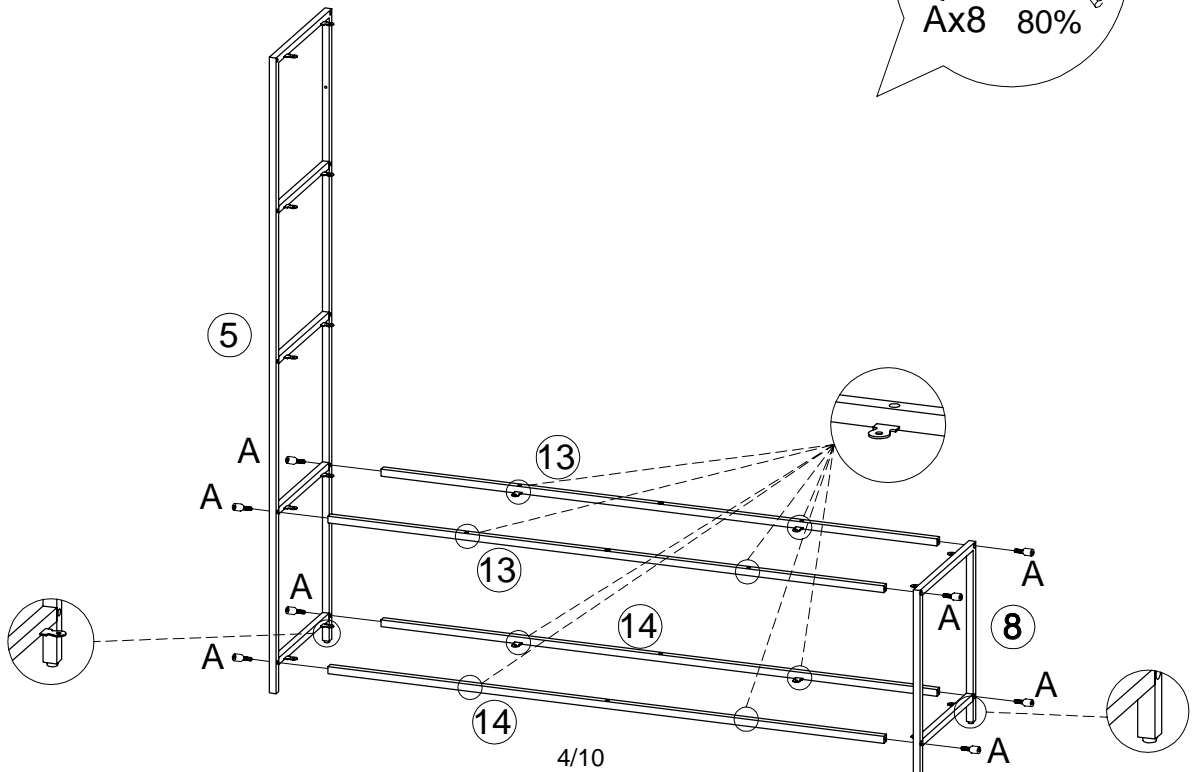
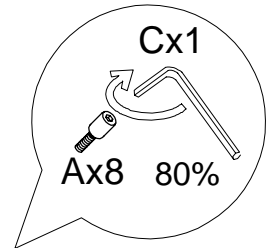
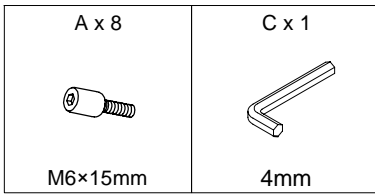


A x 34	B x 34	C x 1	D x 2
			
M6×15mm	4×12mm	4mm	Ø15


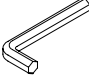
1

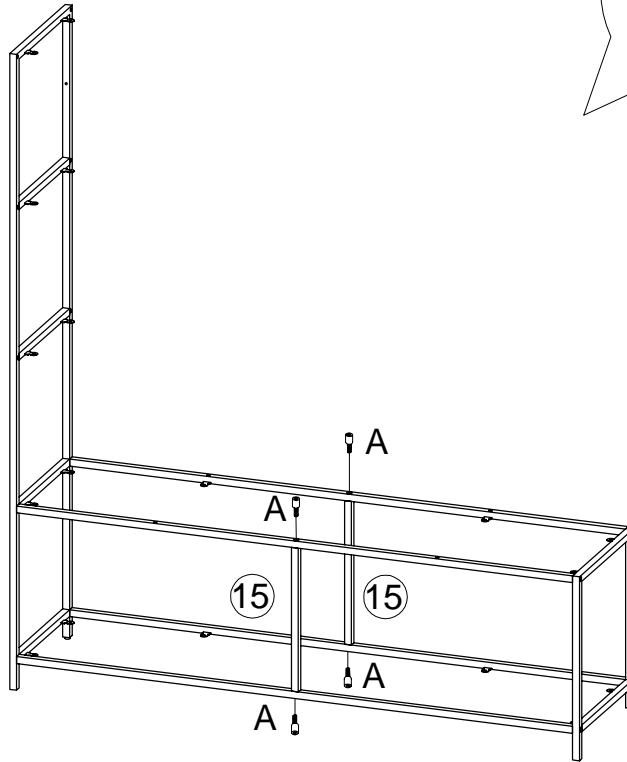
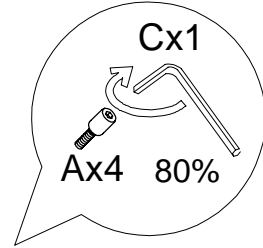


2


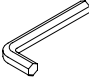


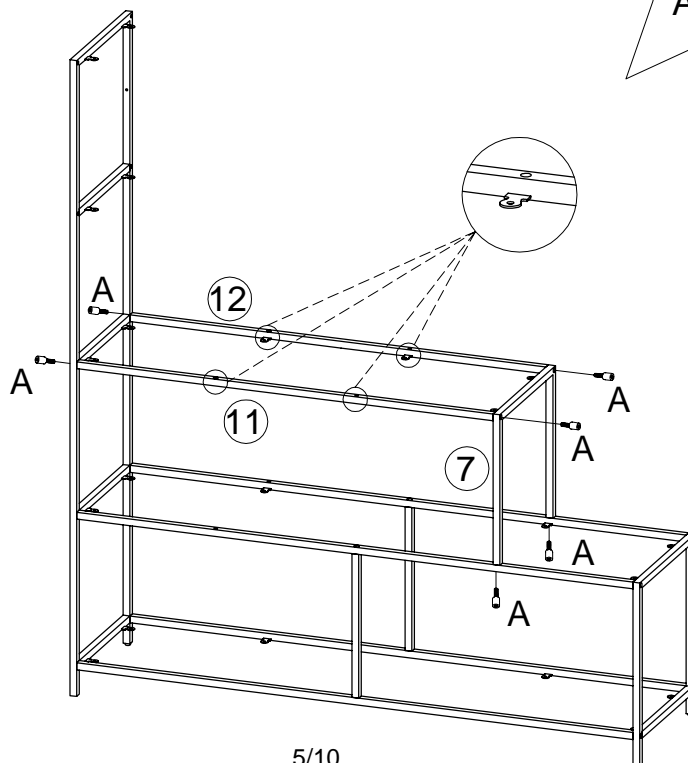
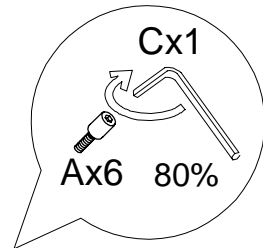
3

A x 4  M6x15mm	C x 1  4mm
---	---


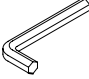


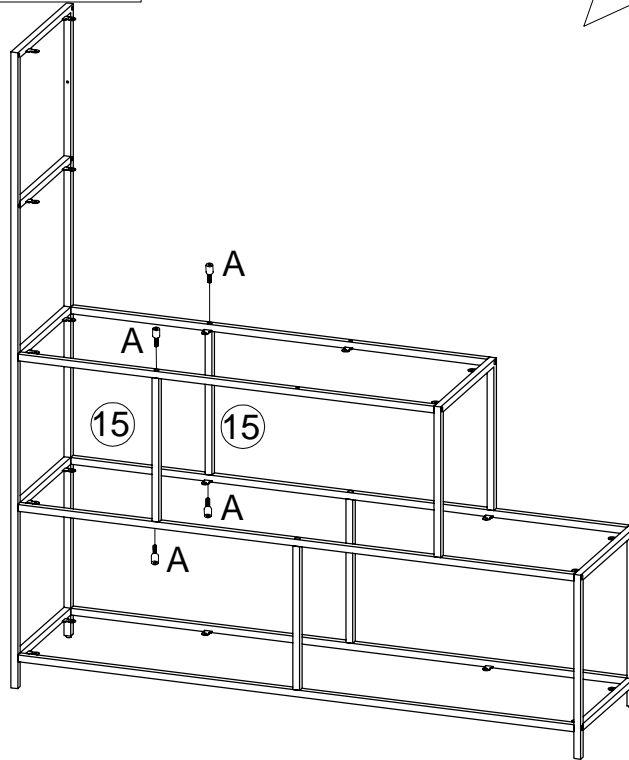
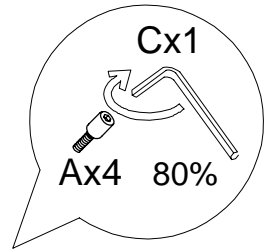
4

A x 6  M6x15mm	C x 1  4mm
---	---


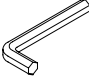


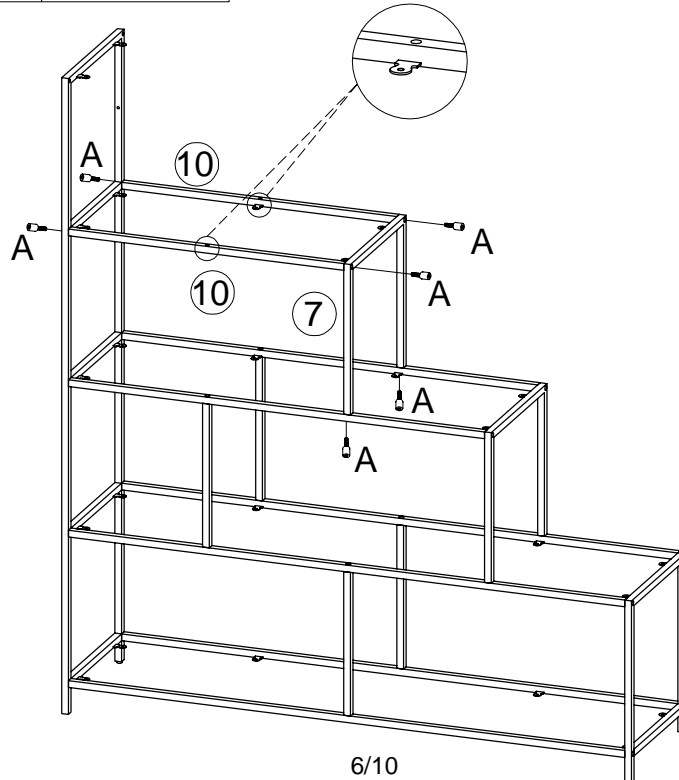
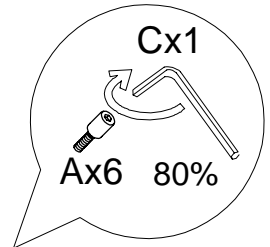
5

A x 4	C x 1
	
M6x15mm	4mm

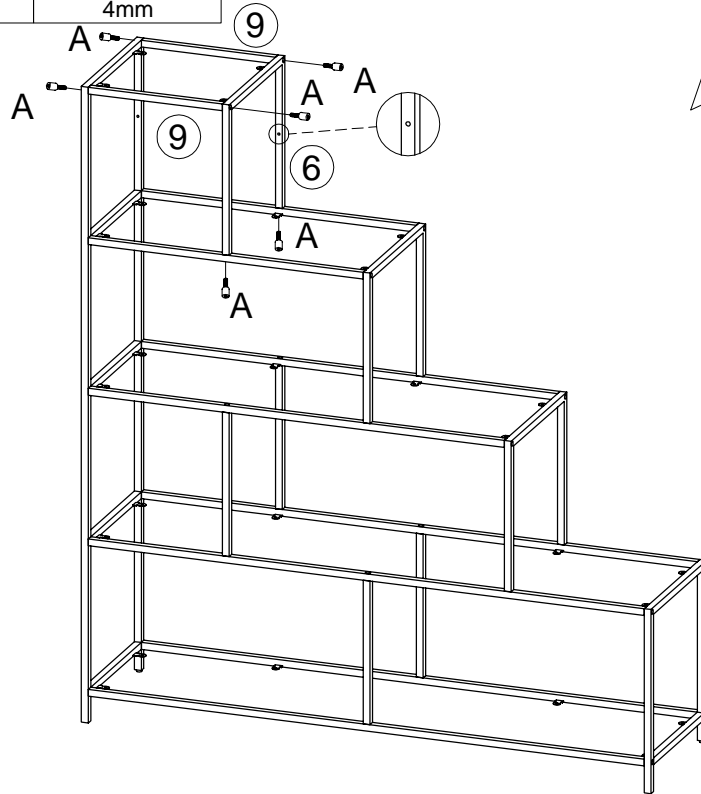
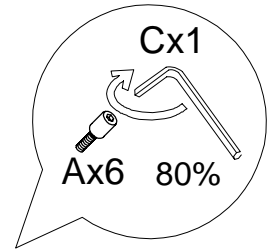
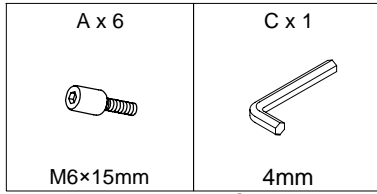


6

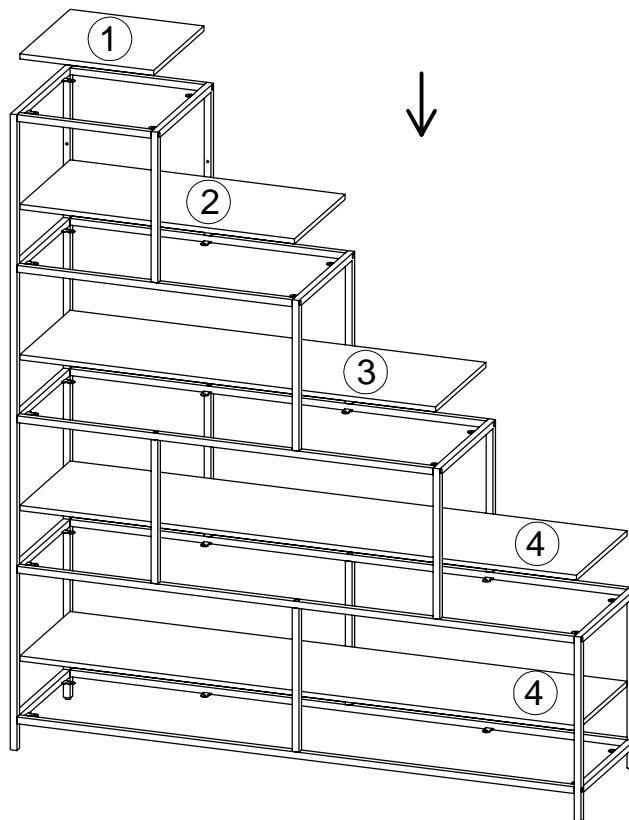
A x 6	C x 1
	
M6x15mm	4mm



7



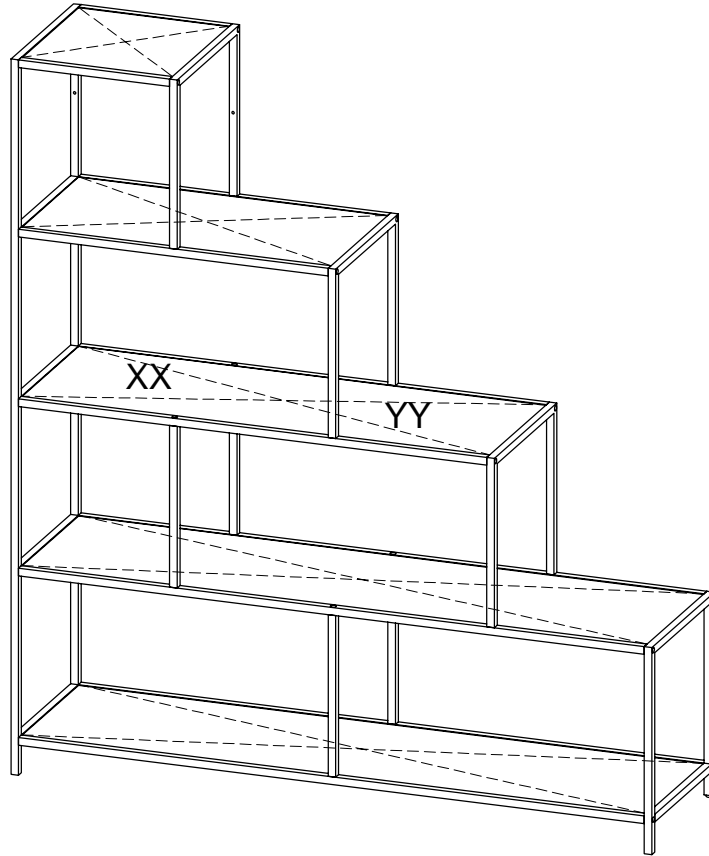
8



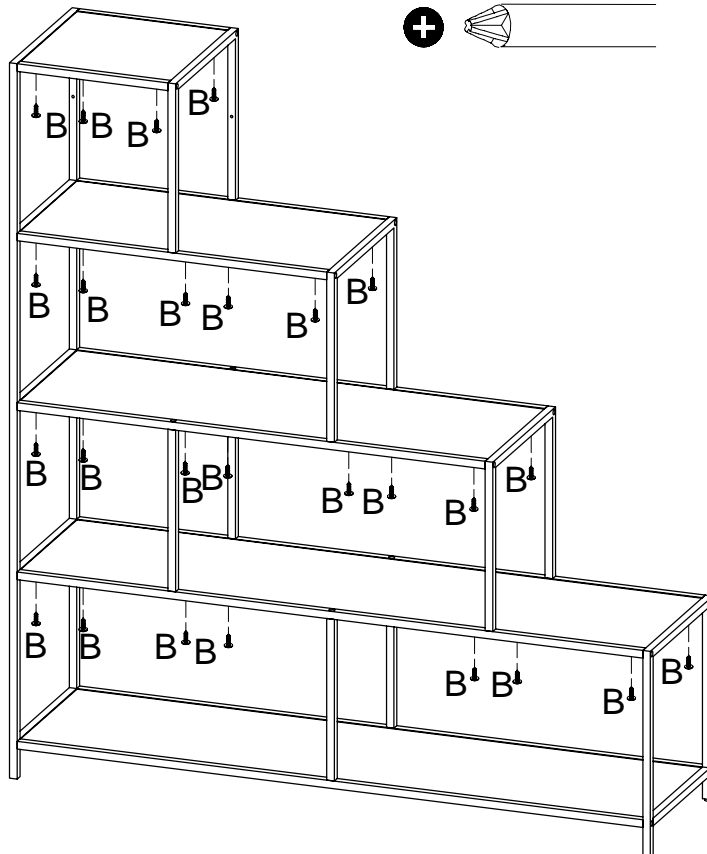
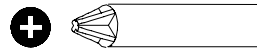
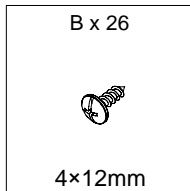
9



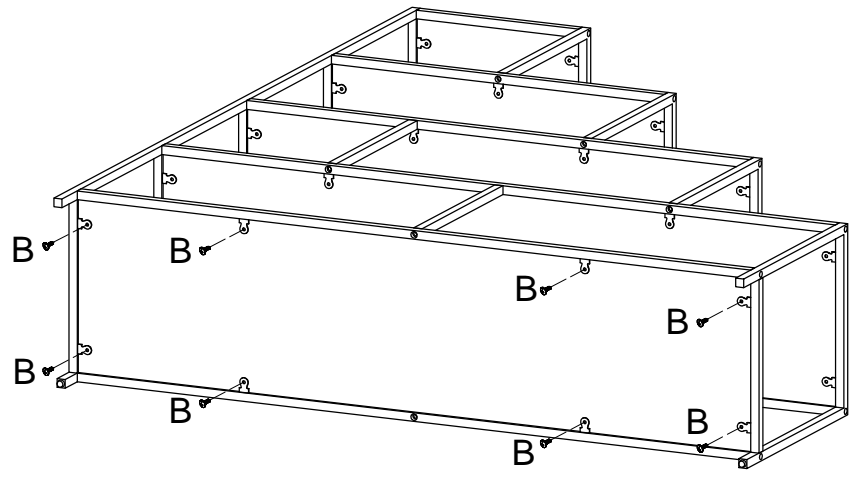
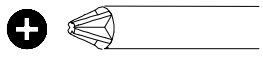
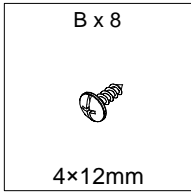
XX=YY



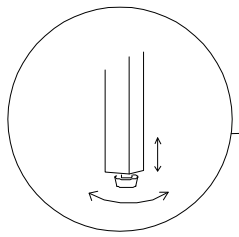
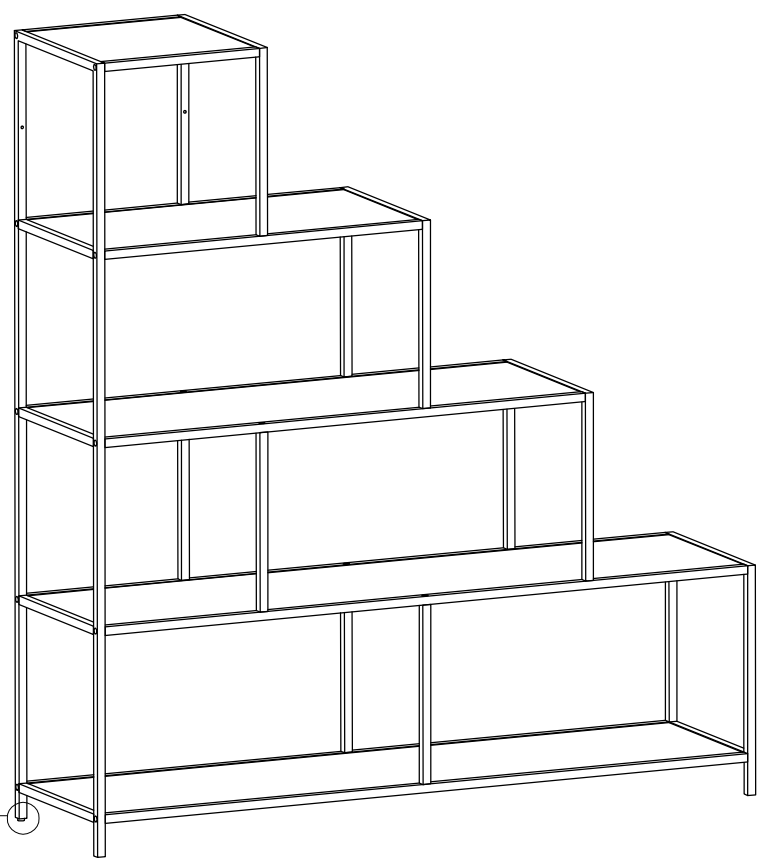
10



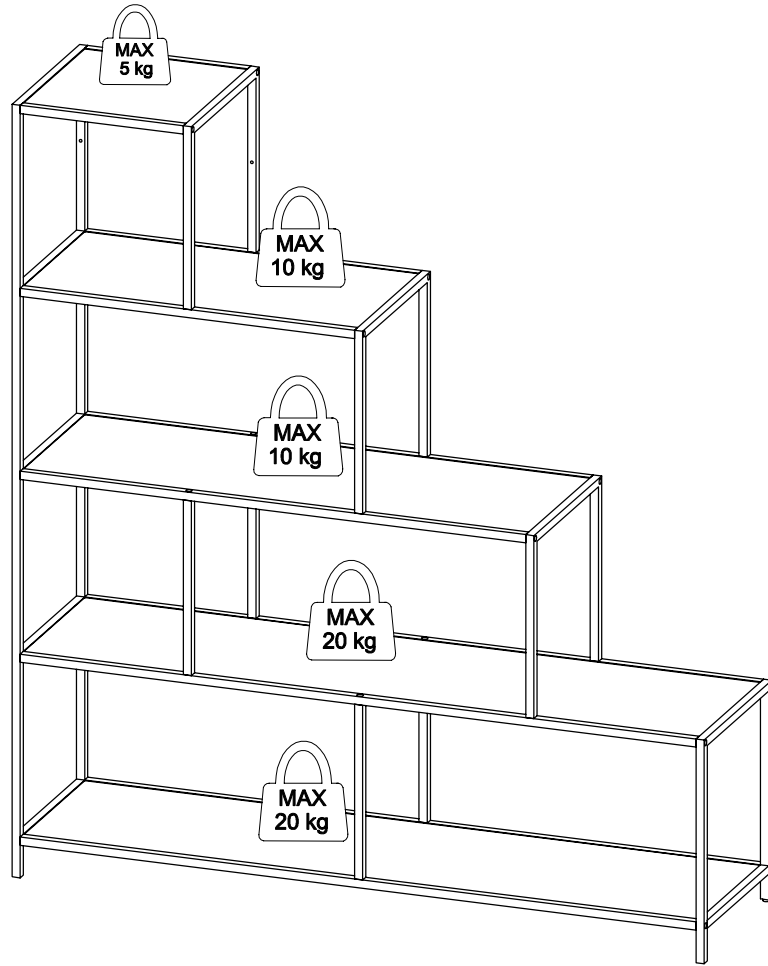
11



12



13



14

