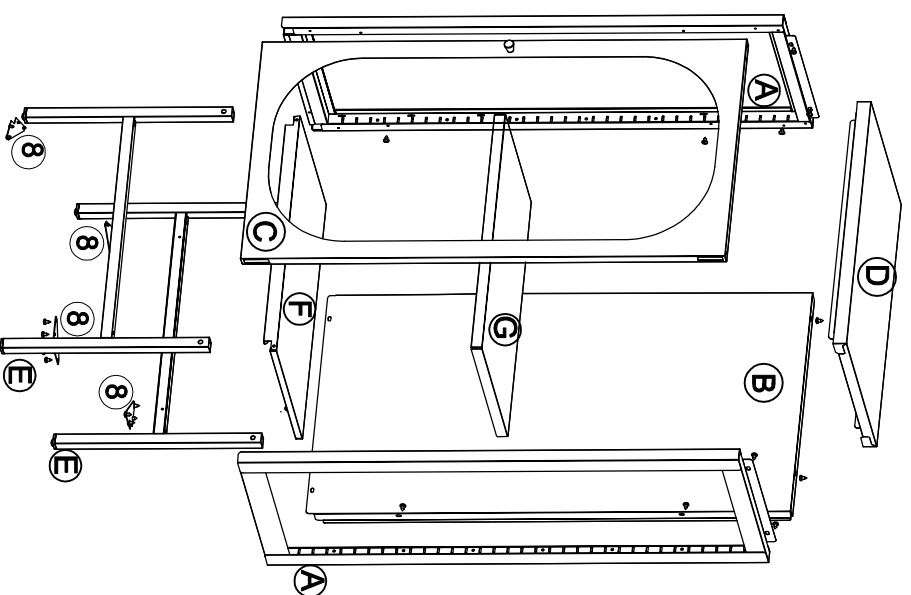


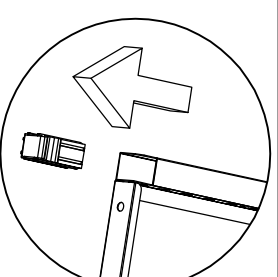
3001210
 Adelaide Steel Cabinet w.
 Rippled Glass Door
 Black-Single Door



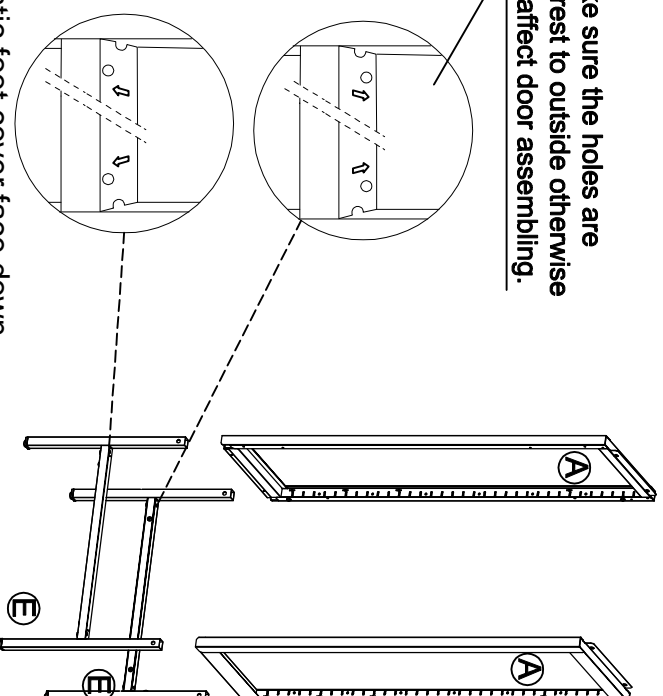
	1	X28	spare:2
	2	X1	ø6-30mm
	3	X1	ø12*0.8mm
	4	X1	spare:1
	5	X1	spare:1
	6	X1	
	7	X4	spare:2
	8	X4	spare:1
	9	X2	
	10	X2	



(1) - Attach (A) to (E) as below shown.

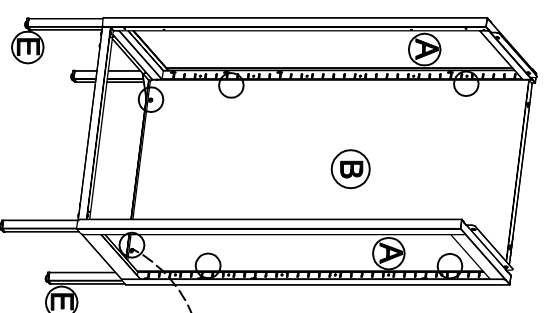


Make sure the holes are nearest to outside otherwise will affect door assembling.

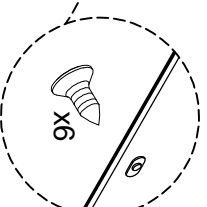


The plastic foot cover face down

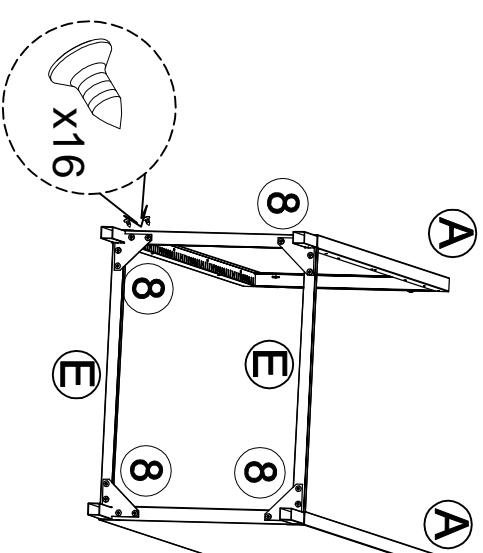
(3) - Attach (B) to (A) & (E) as below shown.



	1	X6
--	---	----

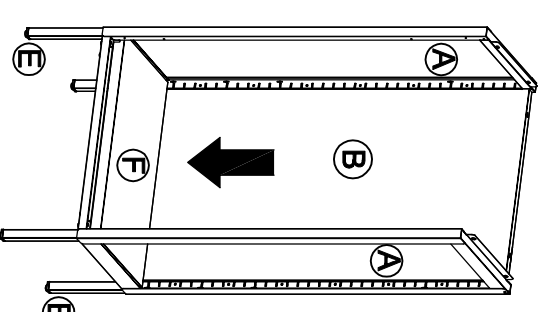


(2) - Attach (8) to (E) as below shown.

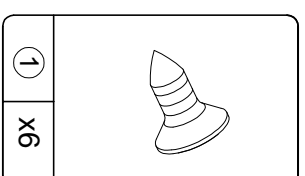
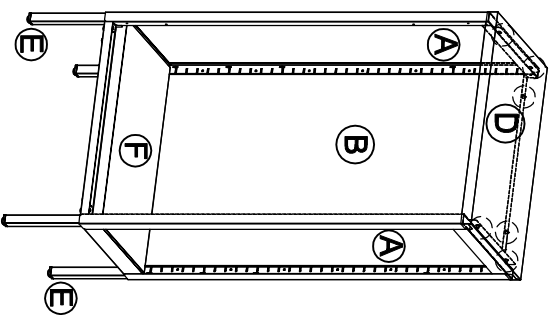


	8	X4
	1	X16

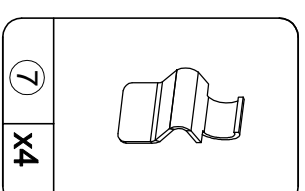
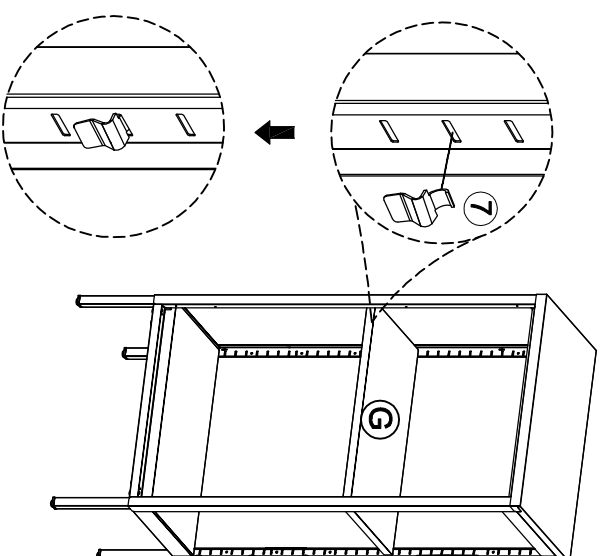
(4) - Attach (F) to (A) & (B) & (E) as below shown.



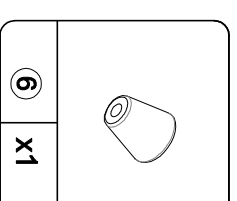
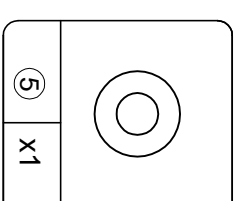
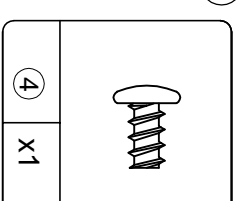
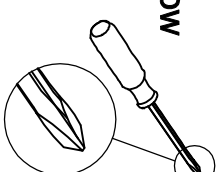
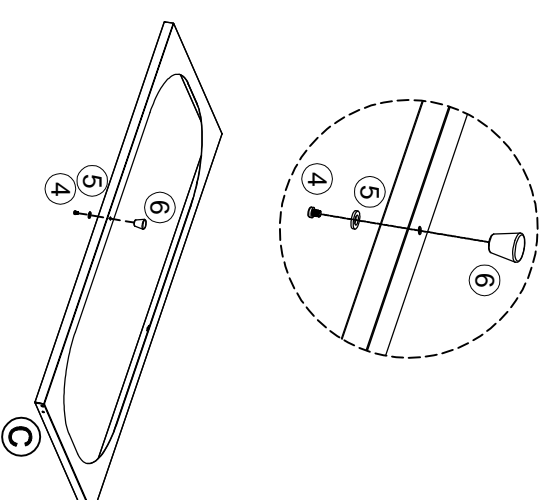
(5) - Attach (D) to (A) as below shown.



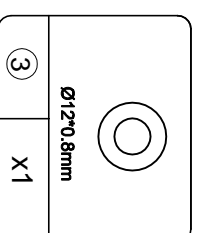
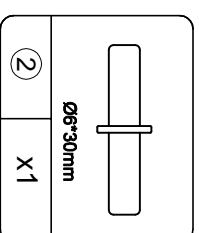
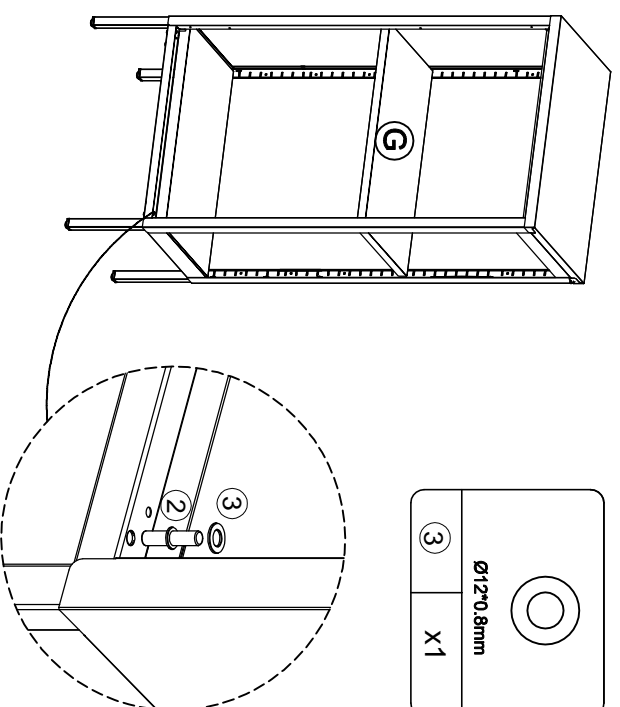
(6) - Attach (G) to pre-assembled unit as below shown.



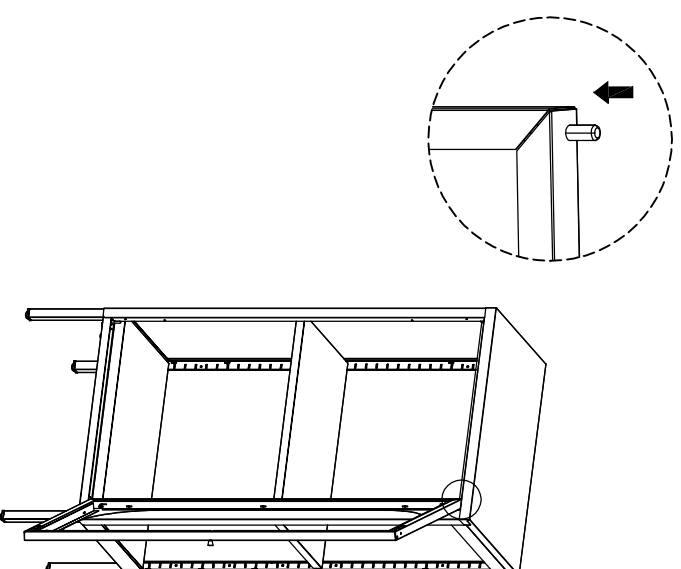
(7) - Attach (6) to (C) as below shown.



(8) - Attach (2) & (3) to pre-assembled unit as below shown.

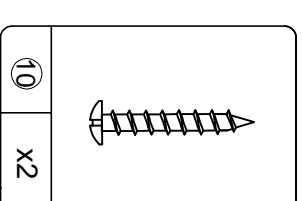
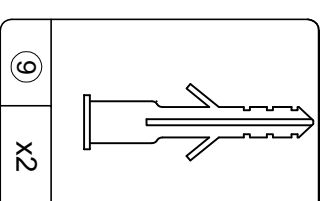
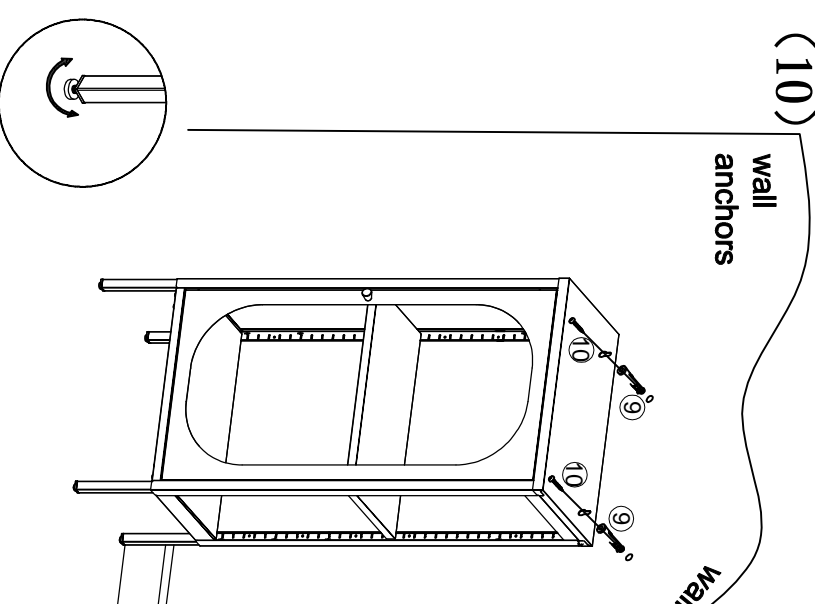


(9) - Attach (C) to pre-assembled unit as below shown.



(10)

wall anchors



Gaps may appear between the top of the doors and the frame if the item is not on level ground; use the plastic foot cover to level.