
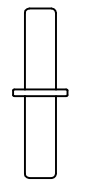
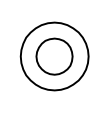

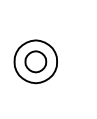

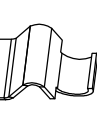

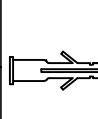
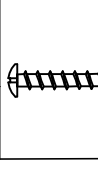
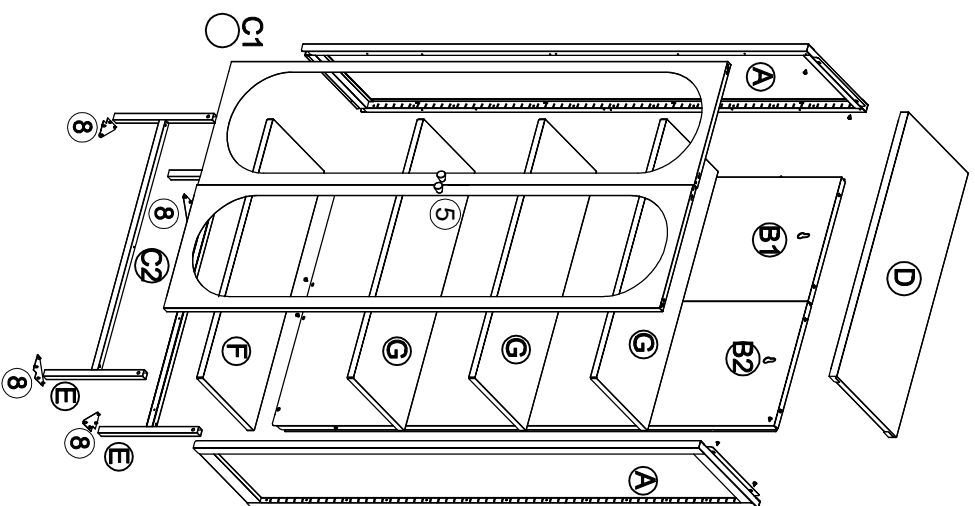


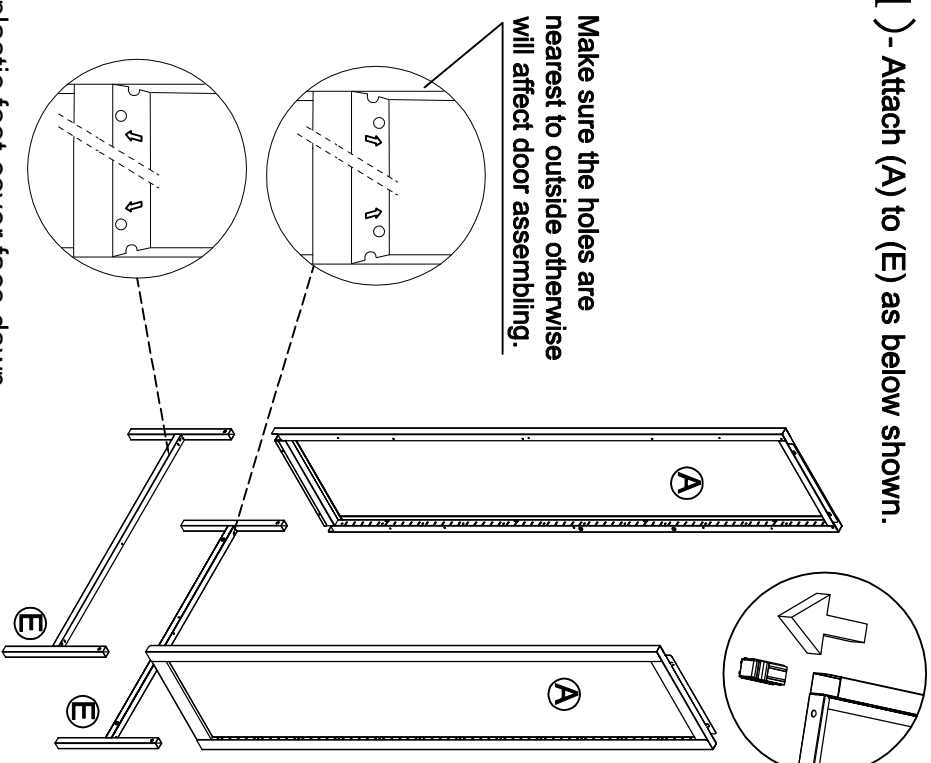
3001200
 Adelaide Steel Cabinet w.
 Rippled Glass Door Black



	1 X37 spare:2		2 X2 Ø6x30mm		3 X2 spare:2 Ø12x0.8mm		4 X2 spare:2
	5 X2 spare:2		6 X2		7 X12 spare:2		8 X4
	9 X2		10 X2				

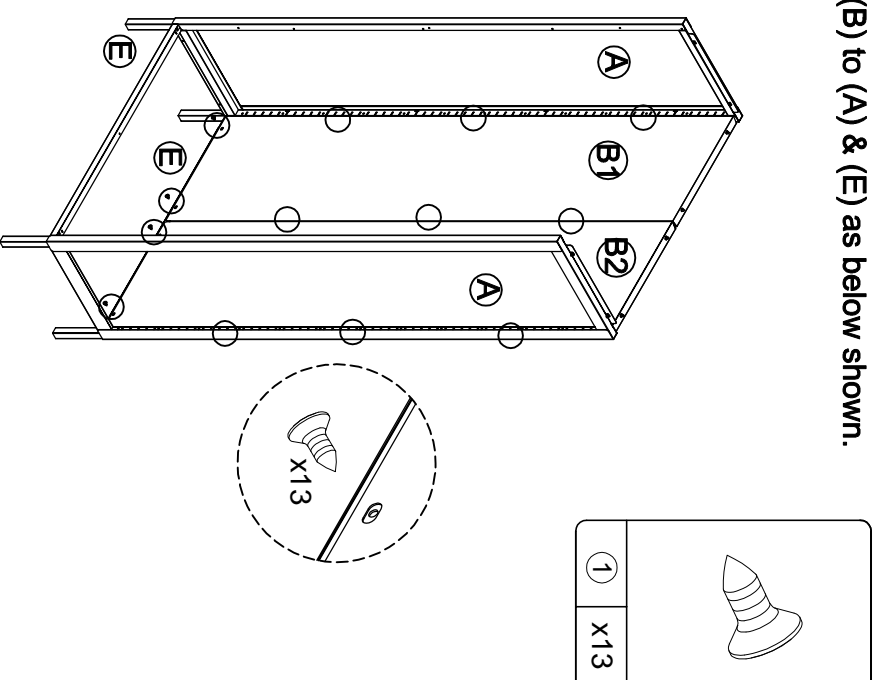


(1) - Attach (A) to (E) as below shown.

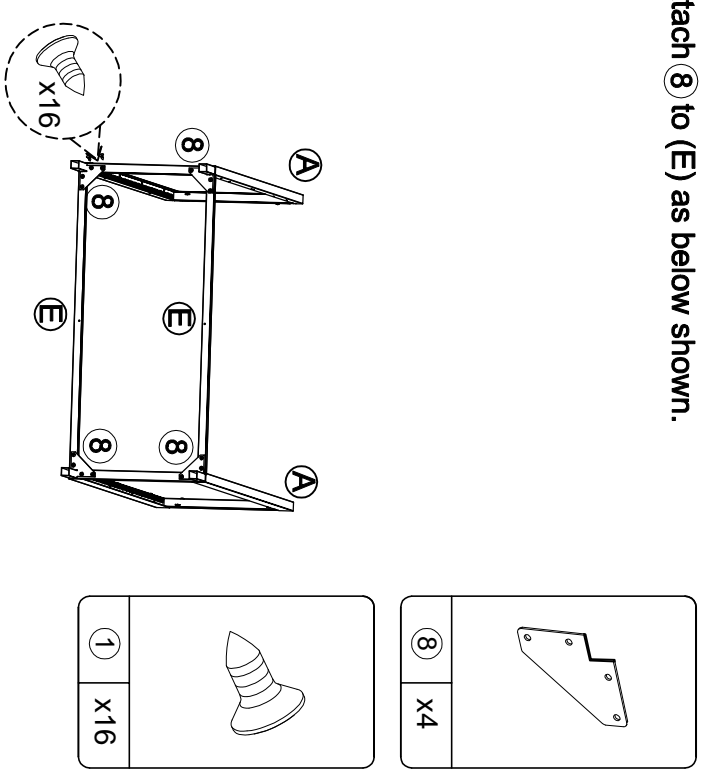


The plastic foot cover face down

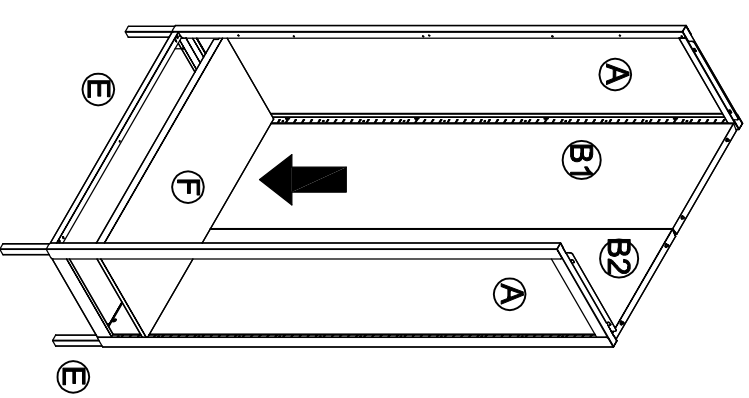
(3) - Attach (B) to (A) & (E) as below shown.



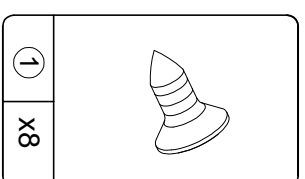
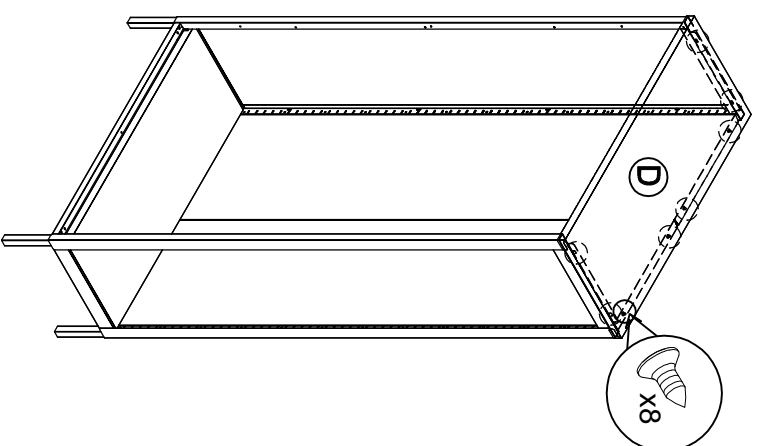
(2) - Attach (8) to (E) as below shown.



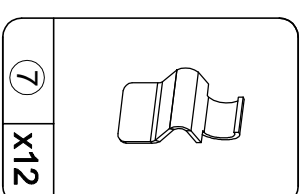
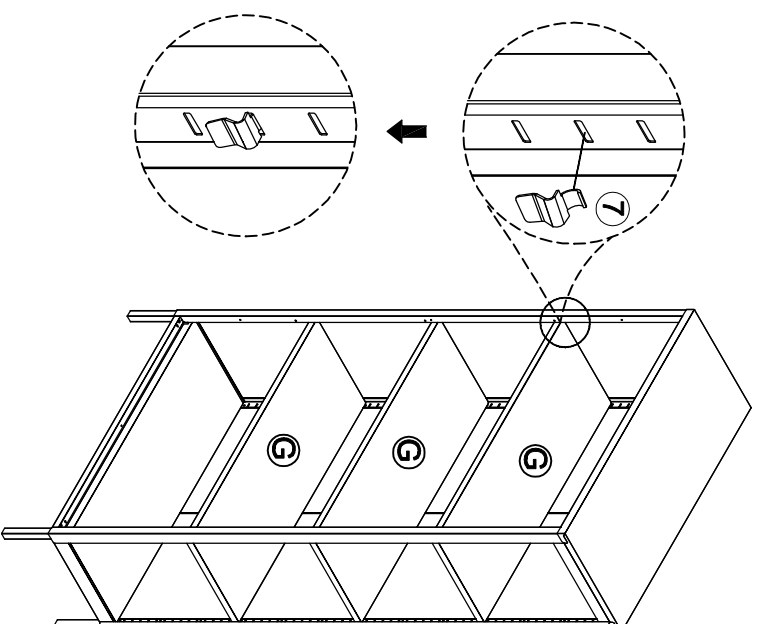
(4) - Attach (F) to (A) & (B) & (E) as below shown.



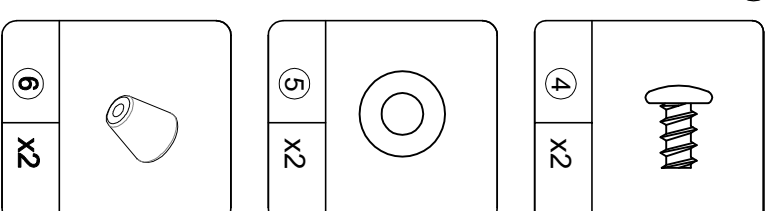
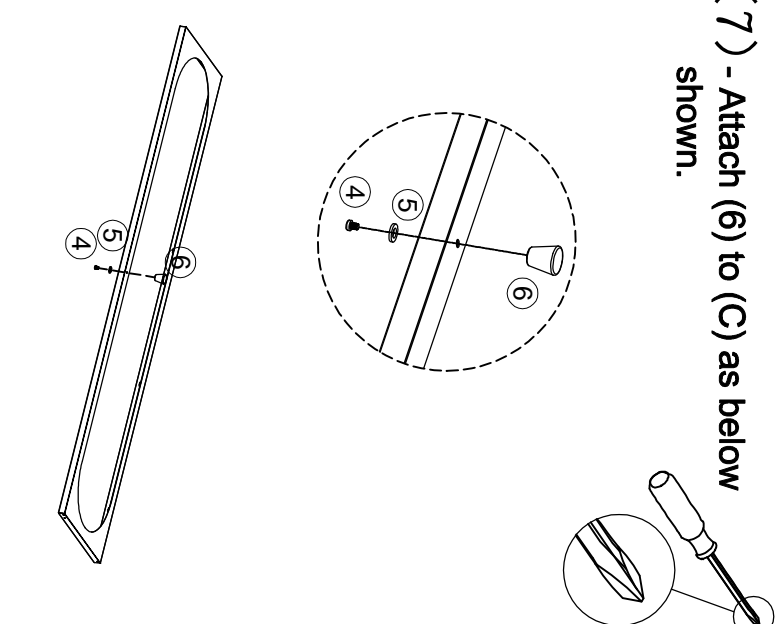
(5) - Attach (D) to (A) as below shown.



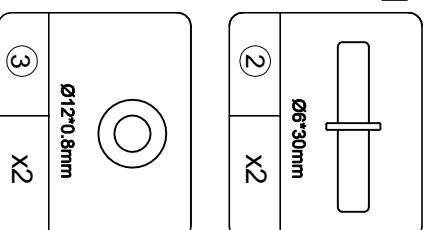
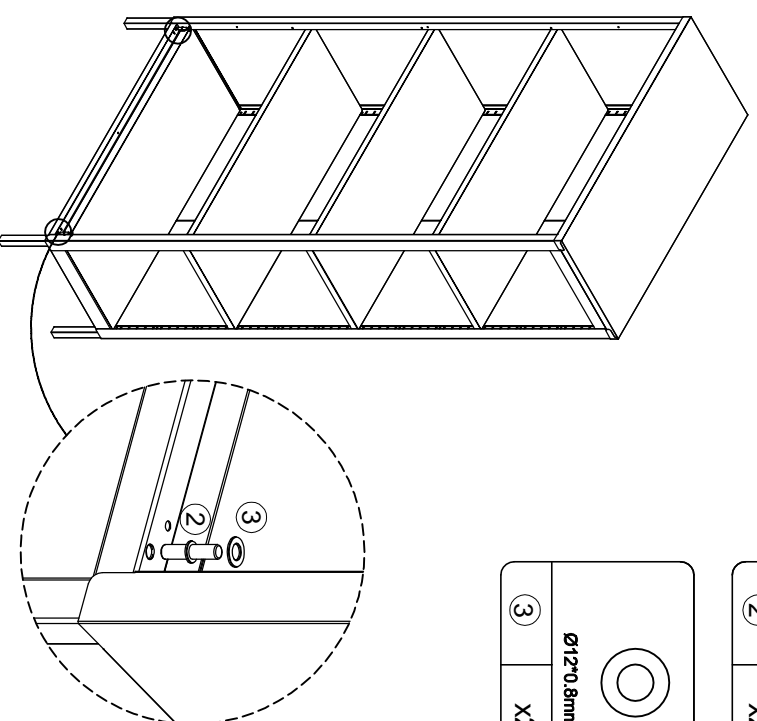
(6) - Attach (G) to pre-assembled unit as below shown.



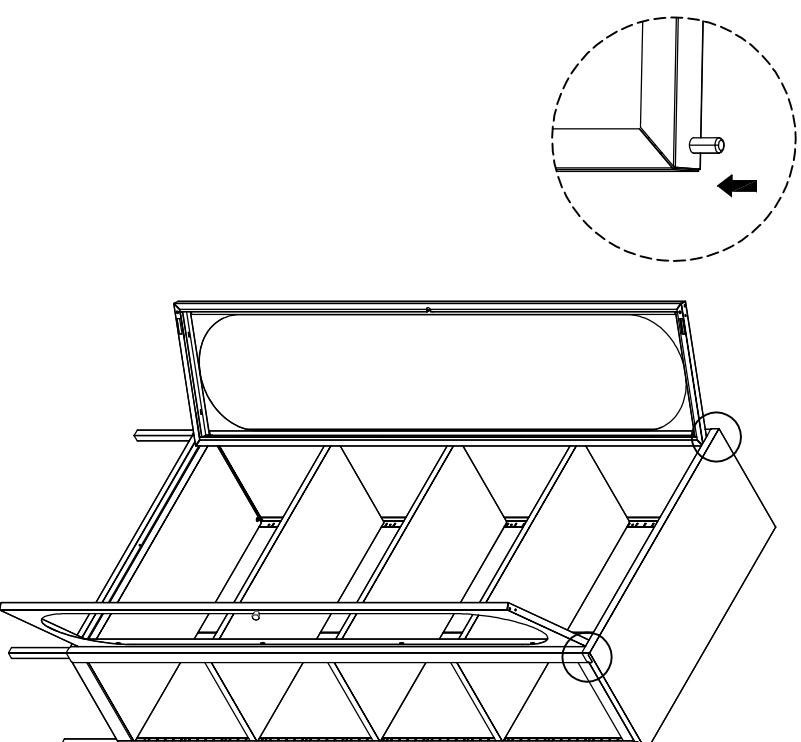
(7) - Attach (6) to (C) as below shown.



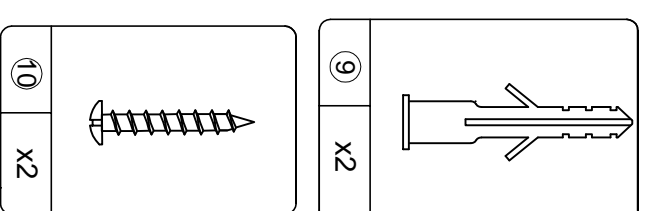
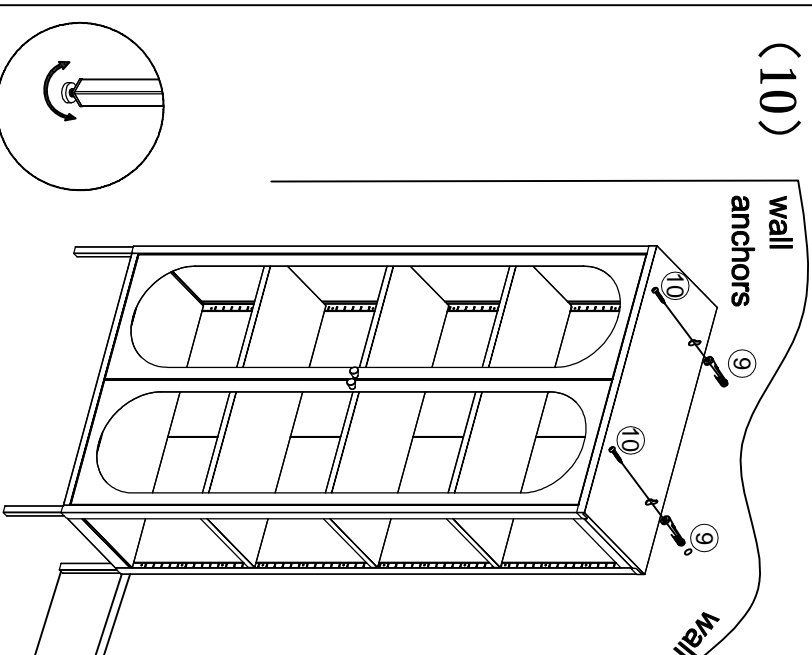
(8) - Attach (2) & (3) to pre-assembled unit as below shown.



(9) - Attach (C) to pre-assembled unit as below shown.



(10)



Gaps may appear between the top of the doors and the frame if the item is not on level ground; use the plastic foot cover to level.