

# JASMIN 36-875-\_\_-6

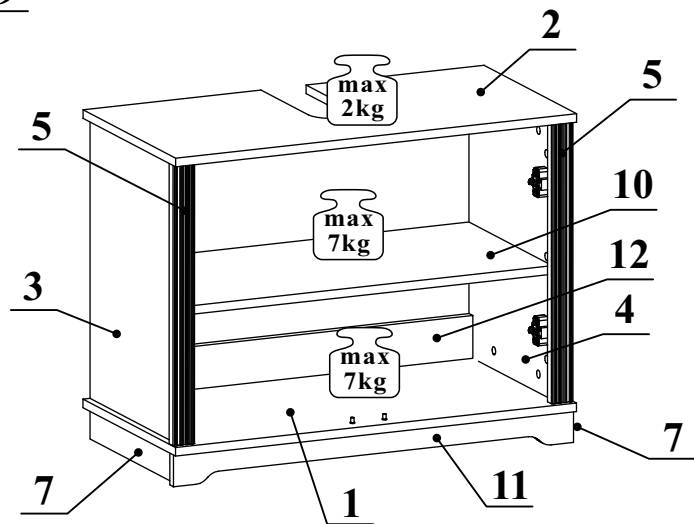
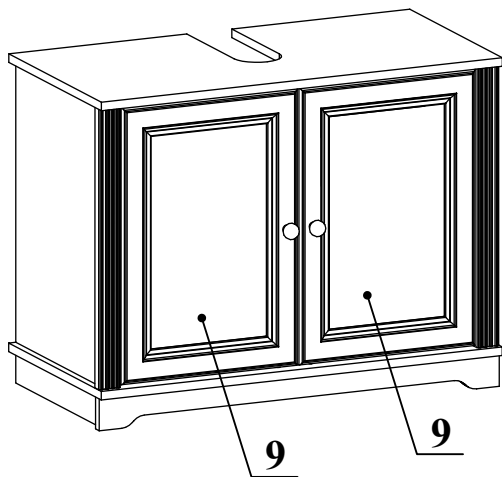
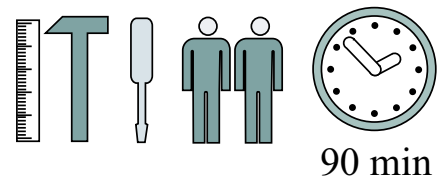
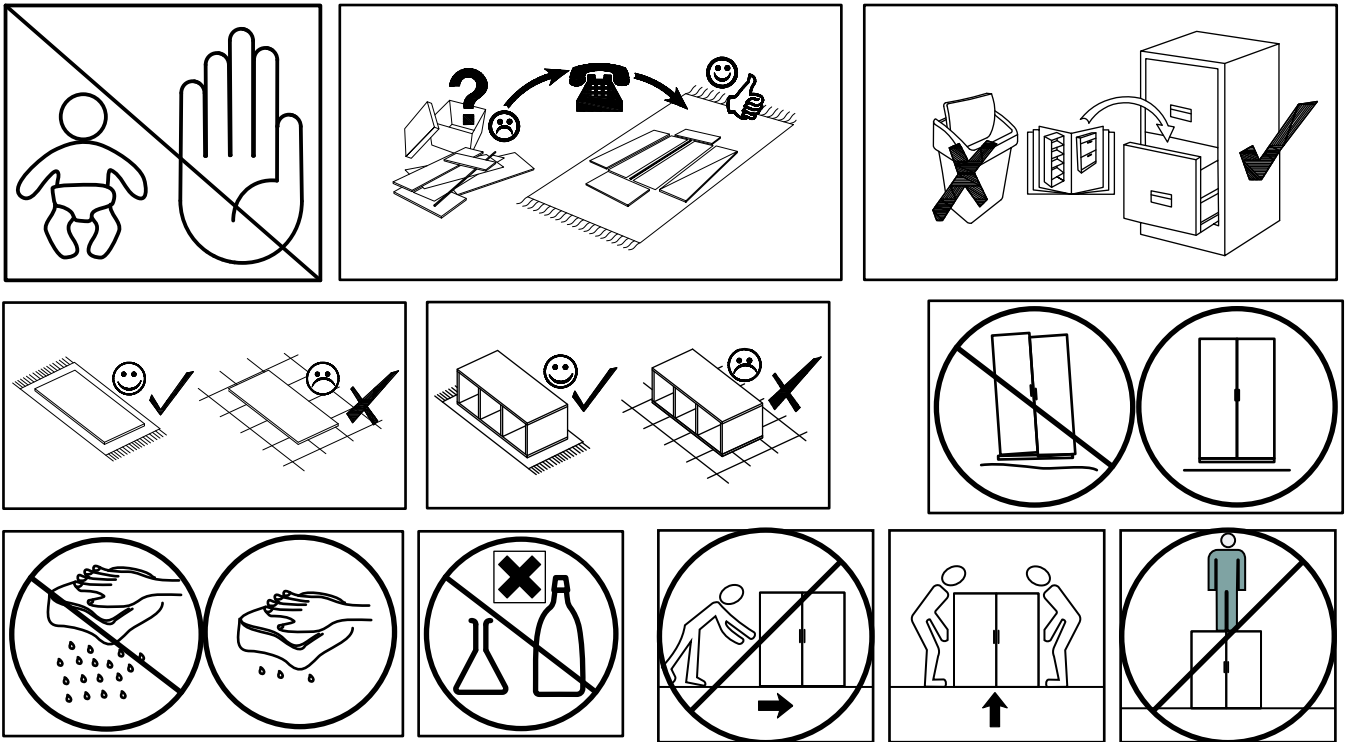
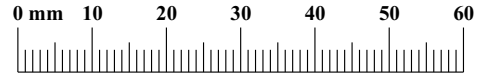
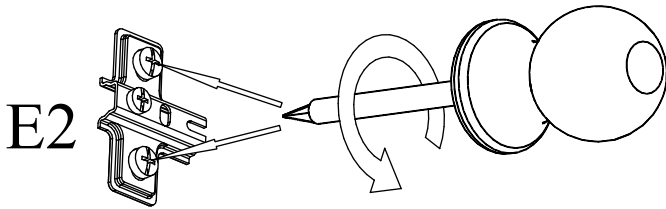


Tabelle mit Maßen/Menge  
und Colli-Nr. der Einzelteile

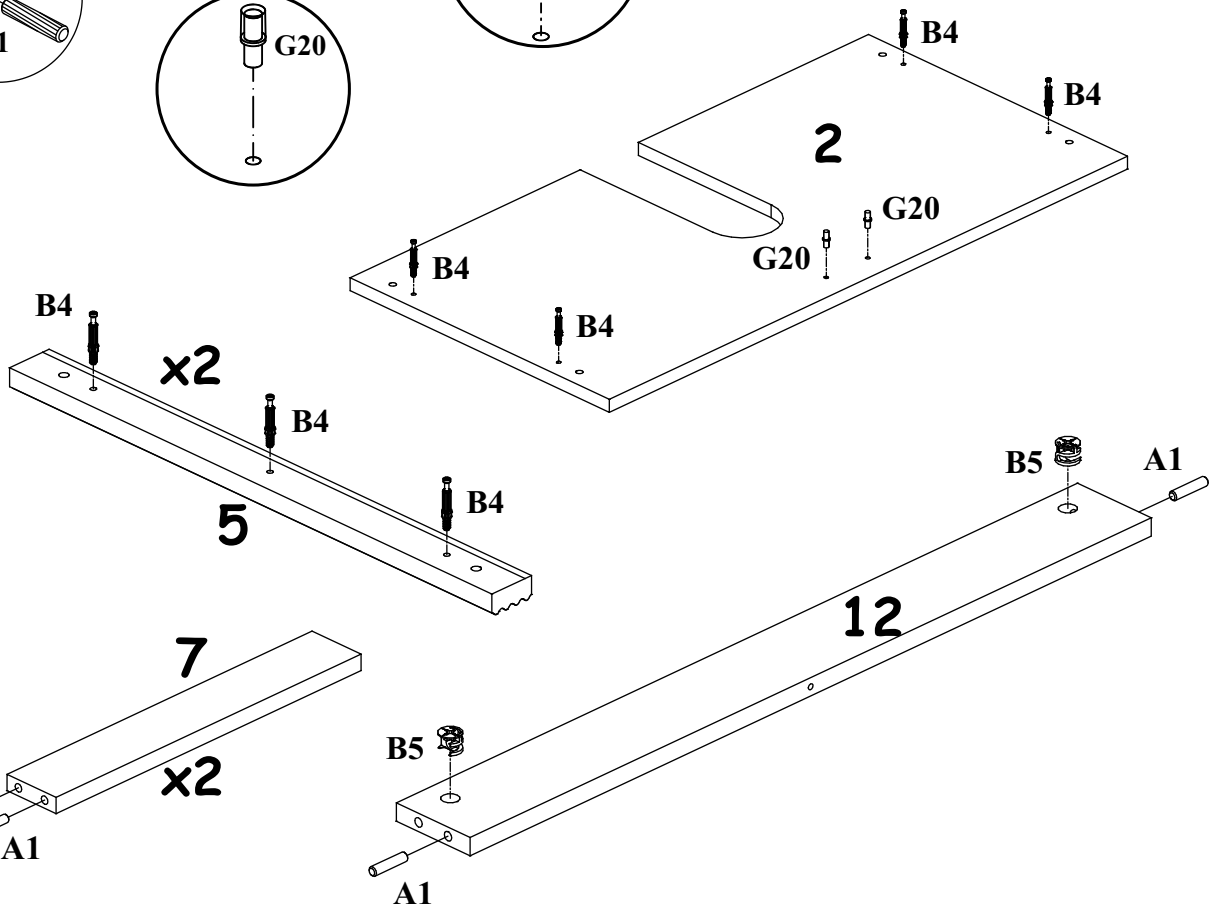
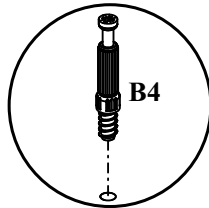
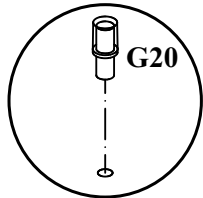
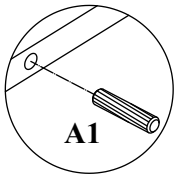
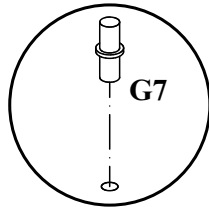
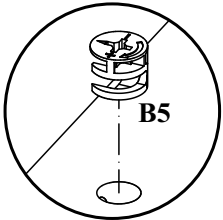
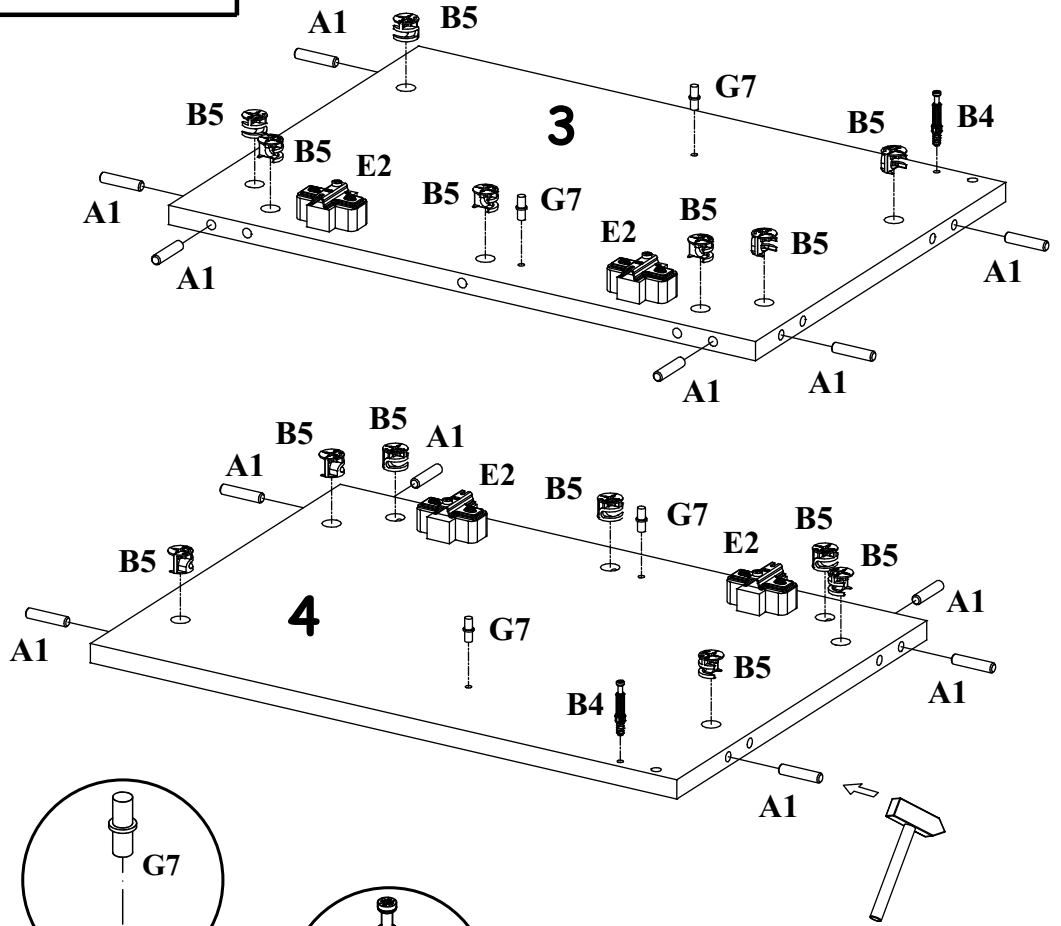
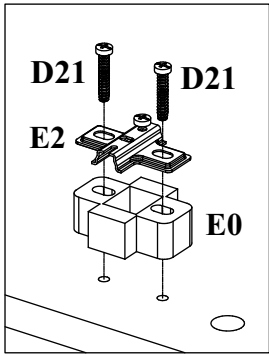
NO	Dim.		Col.-No	Qty
JAS-13-01	800	400	1	1
JAS-13-02	800	400	1	1
JAS-13-03	524	370	1	1
JAS-13-04	524	370	1	1
JAS-13-05	524	43	1	2
JAS-13-07	373	60	1	2
JAS-13-09	517	351	1	2
JAS-13-10	740	360	1	1
JAS-13-11	798	60	1	1
JAS-13-12	740	80	1	1



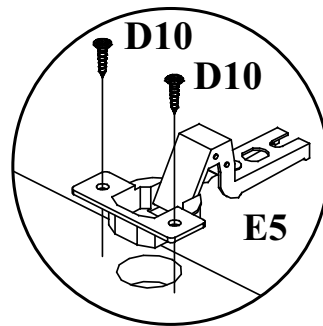
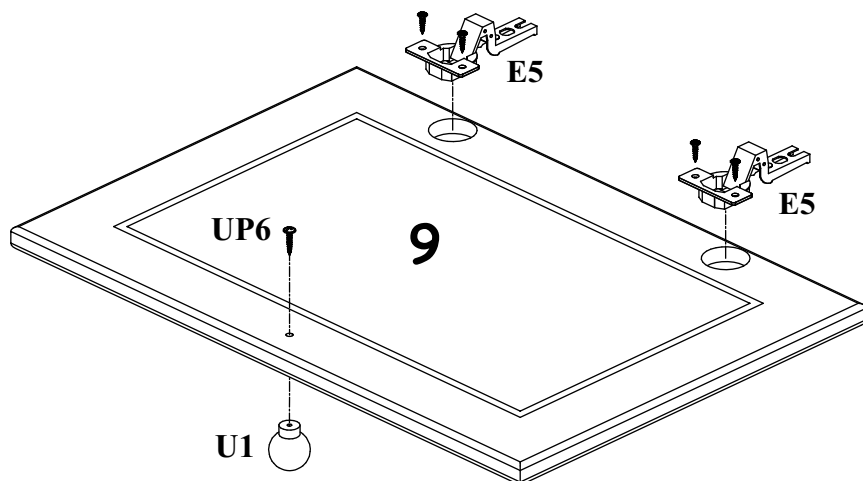
A1 X18 ø8x36	B4 X16	B5 X16 ø15x12	G5 X16	G20 X4	G2 X1
E5 X2 H=16	E2 X2 H=0	E0 X4	D10 X14 USØ3,5x13	G7 X4	B11 X5 Ø7x50
U1 X2	UP6 X2 UPØ4x30	I2 X4	D21 X8 EWØ6,3x30	KM1 X3	



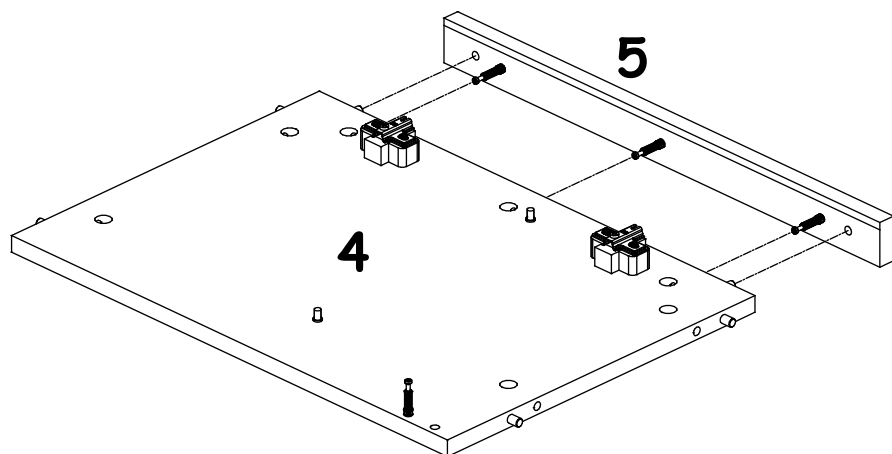
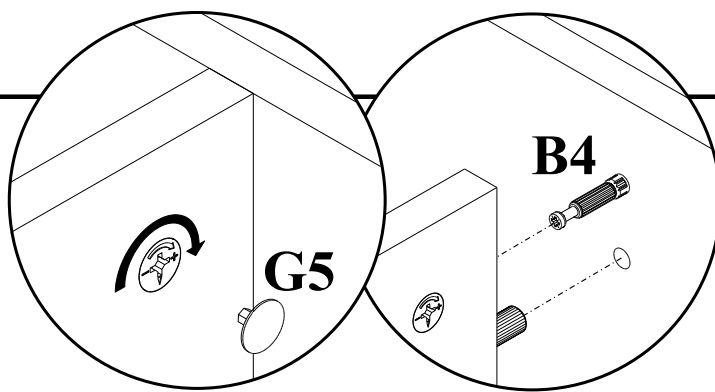
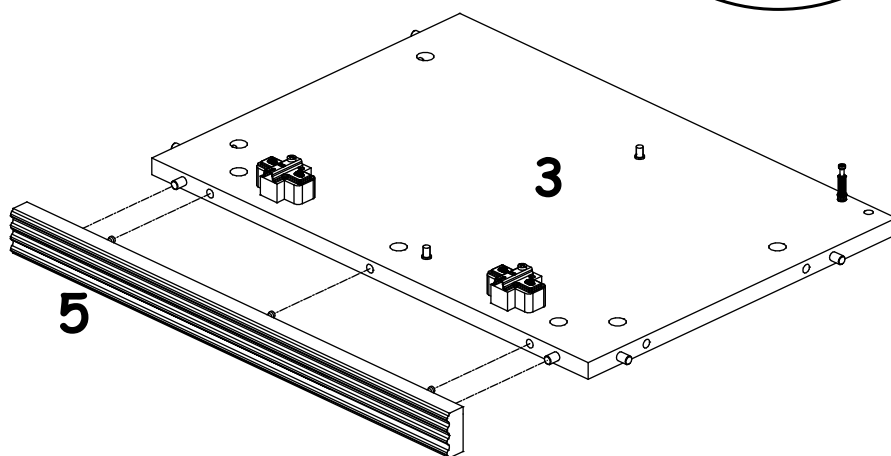
1



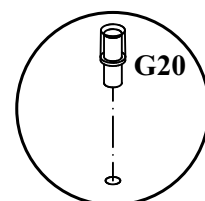
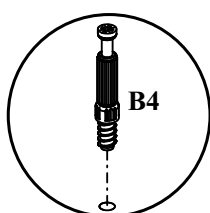
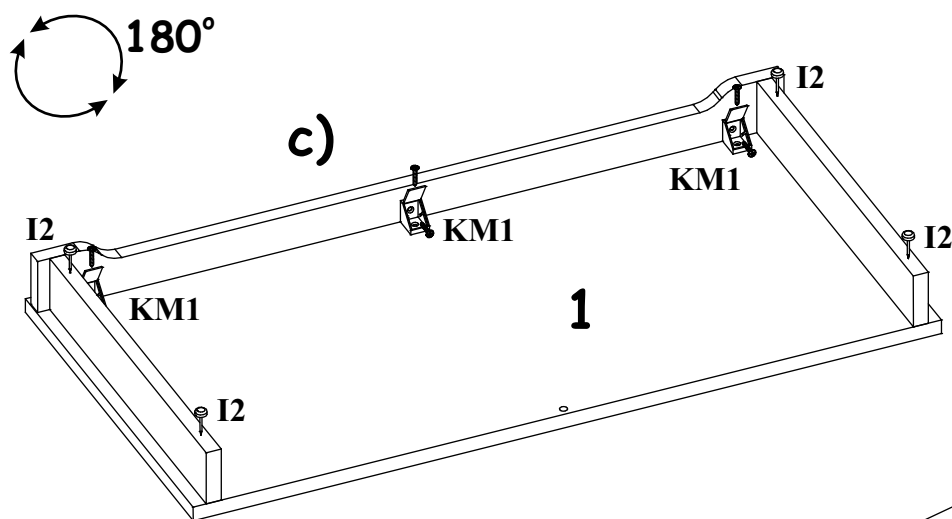
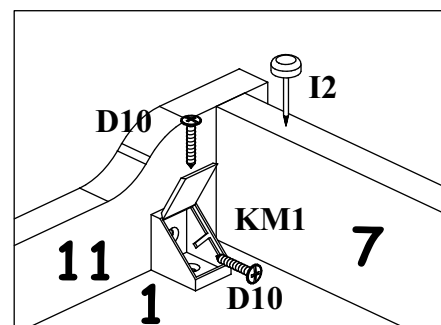
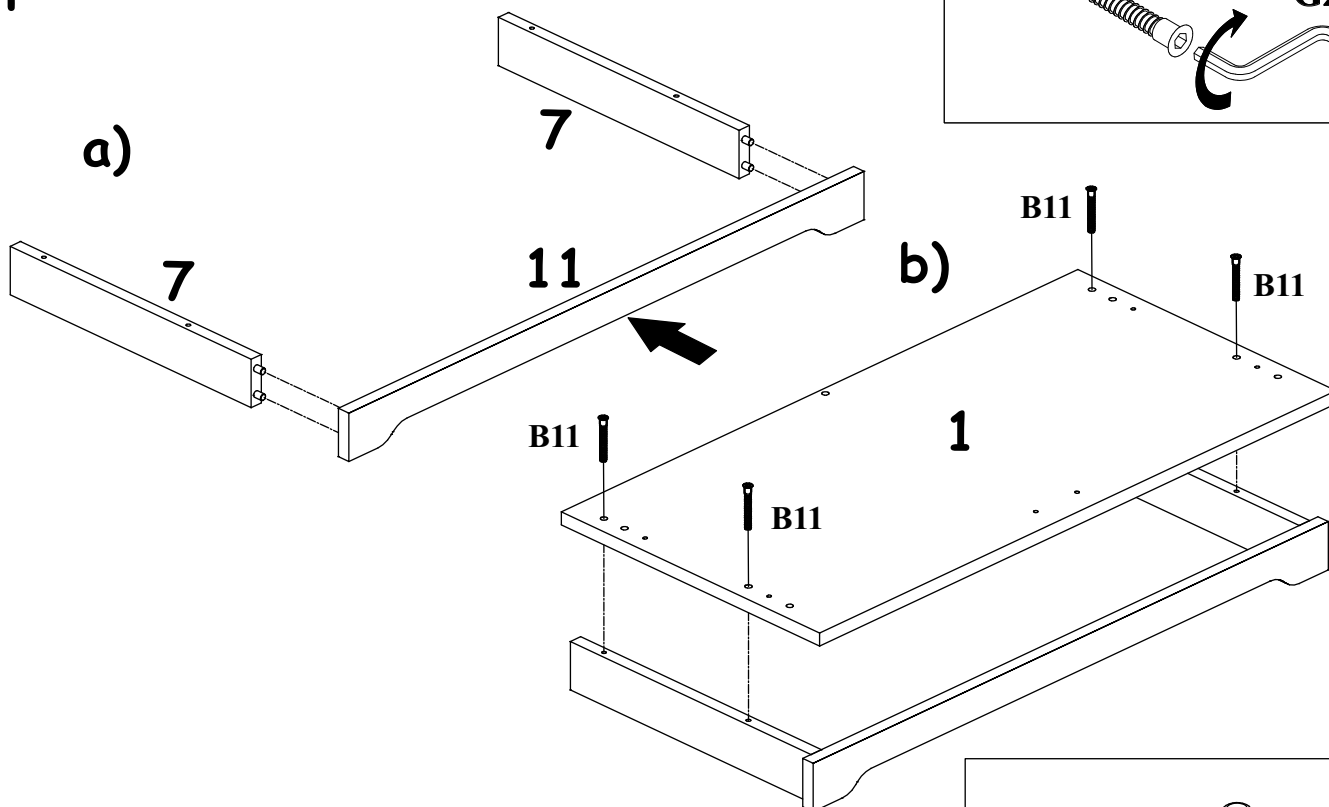
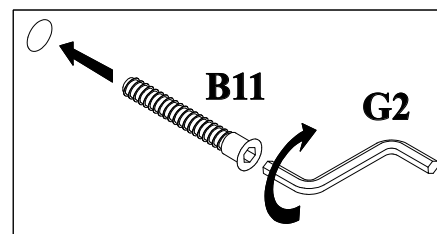
2



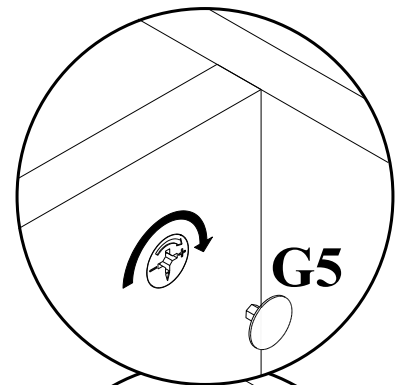
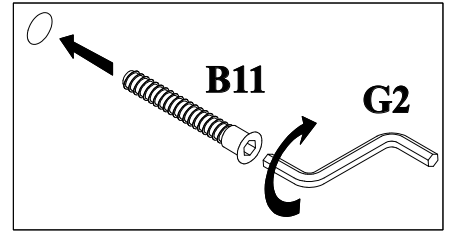
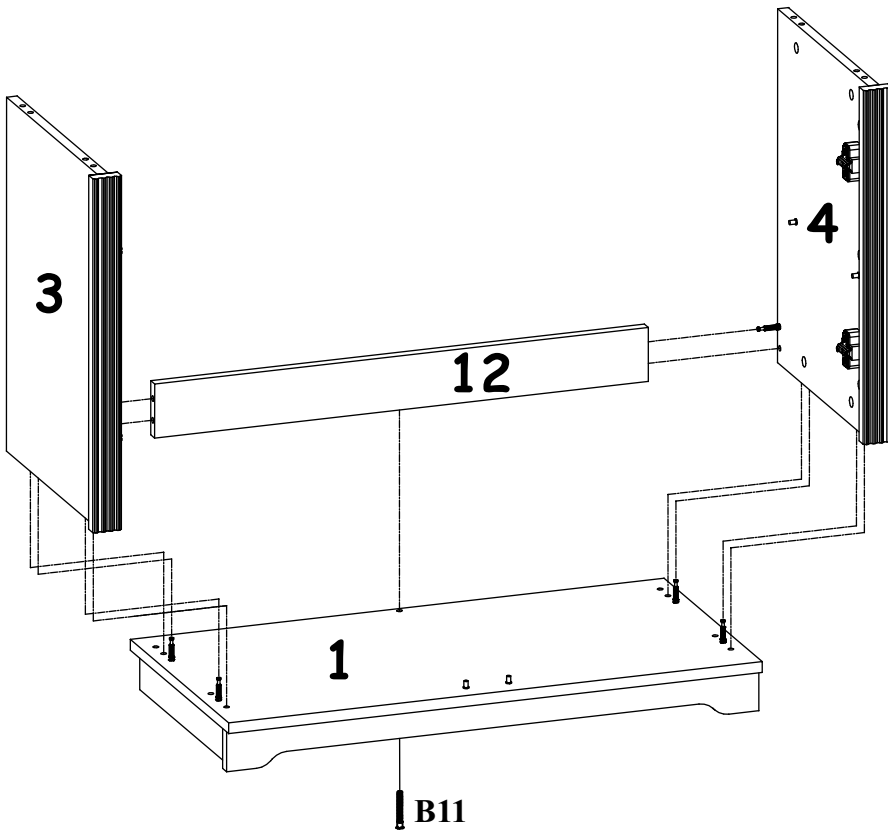
3



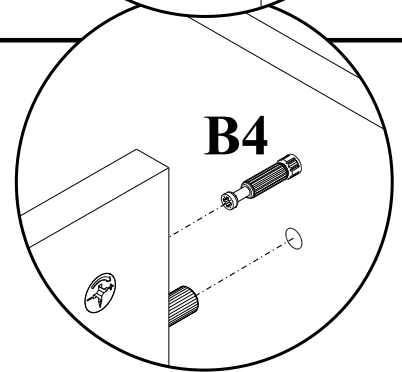
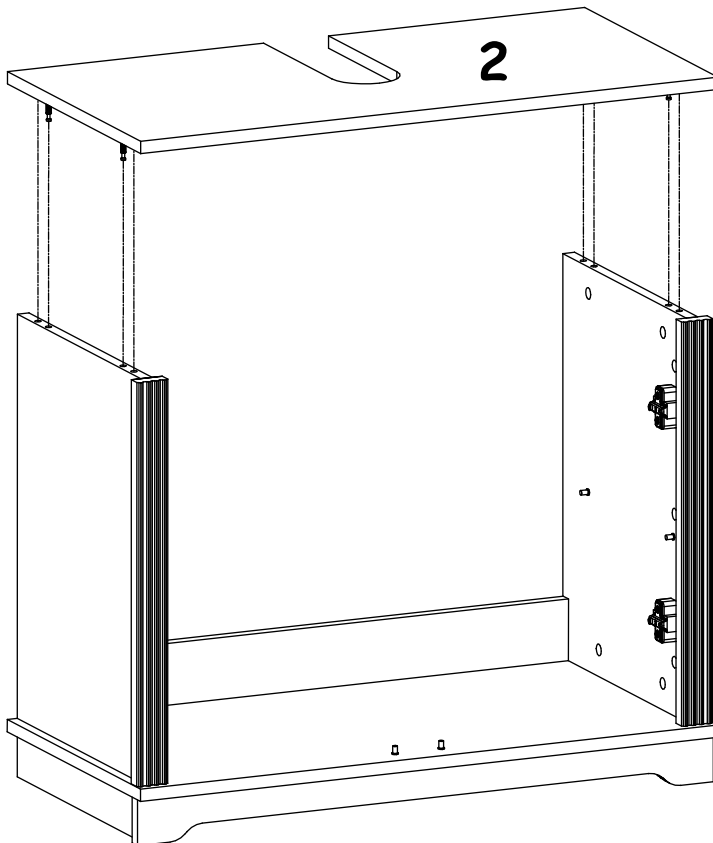
4



5



6



7

