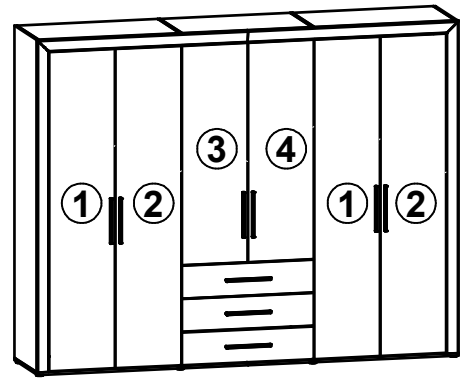
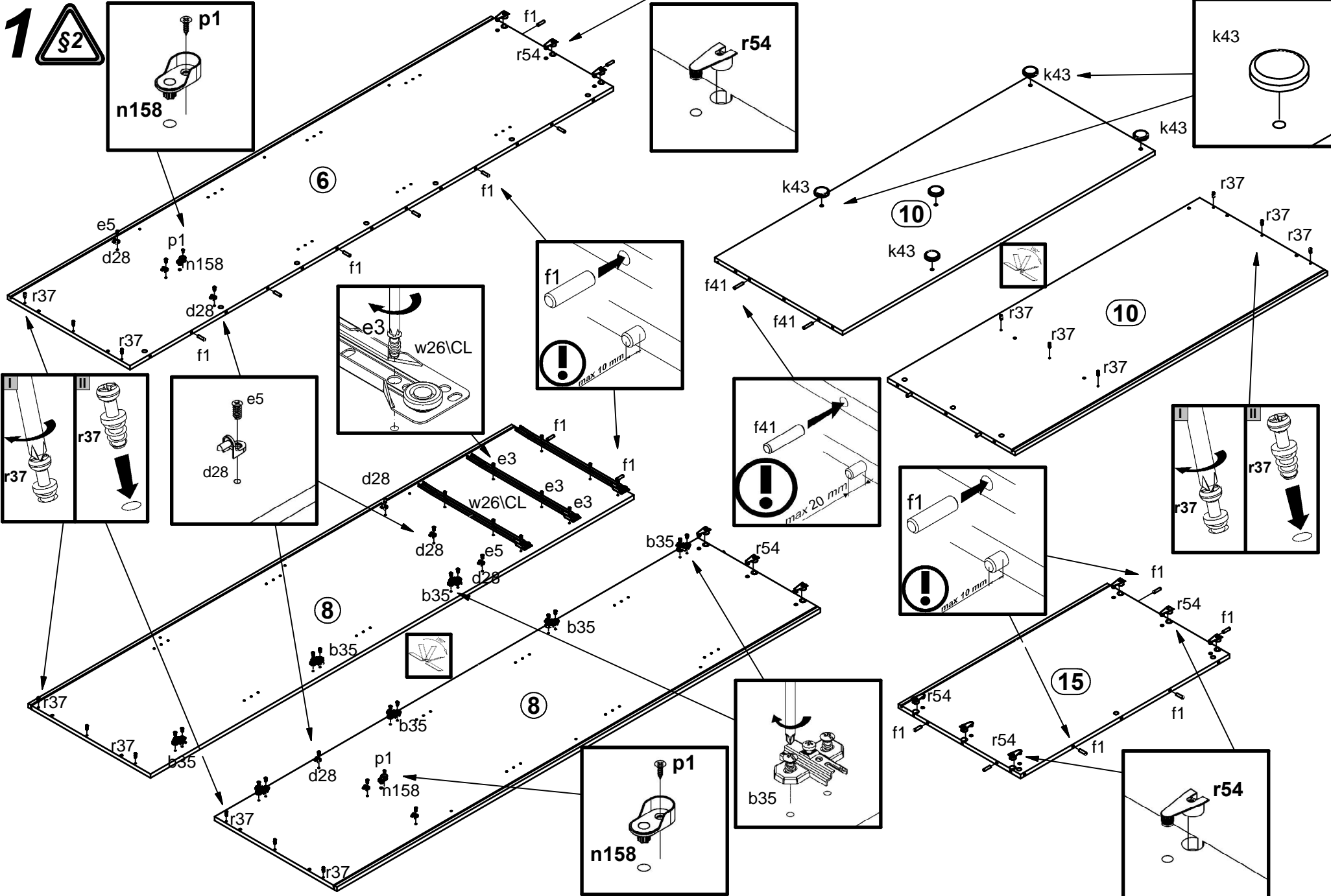


A	B	C (mm)		D
1	L38-004	2146	450	6/7
2	L38-005	2146	450	6/7
3	L38-006	1474	450	7/7
4	L38-007	1474	450	7/7
5	L38-008	904	220	4/7
6	L38-107	2233	565	1/7
7	L38-108	2233	565	1/7
8	L38-109	2233	565	2/7
9	L38-110	2233	565	2/7
10	L38-203	1443	590	7/7
11	L38-204	1443	590	7/7
12	L38-303	891	545	3/7
13	L38-304	965	549	3/7
14	L38-305	892	549	3/7
15	L38-306	965	565	4/7
16	L38-307	965	565	4/7
17	L38-308	892	565	4/7
18	L38-504	2233	80	5/7
19	L38-505	1444	80	5/7
20	L38-506	1444	80	5/7
21	L38-507	2233	80	5/7
22	L38-903	2226	899	2/7
23	L38-904	2226	973	2/7
24	L38-905	865	505	4/7
25	ZS3-5601	843	140	4/7
26	ZS4-533	500	140	4/7
27	ZS4-534	500	140	4/7
28	dr-960	960	30	4/7

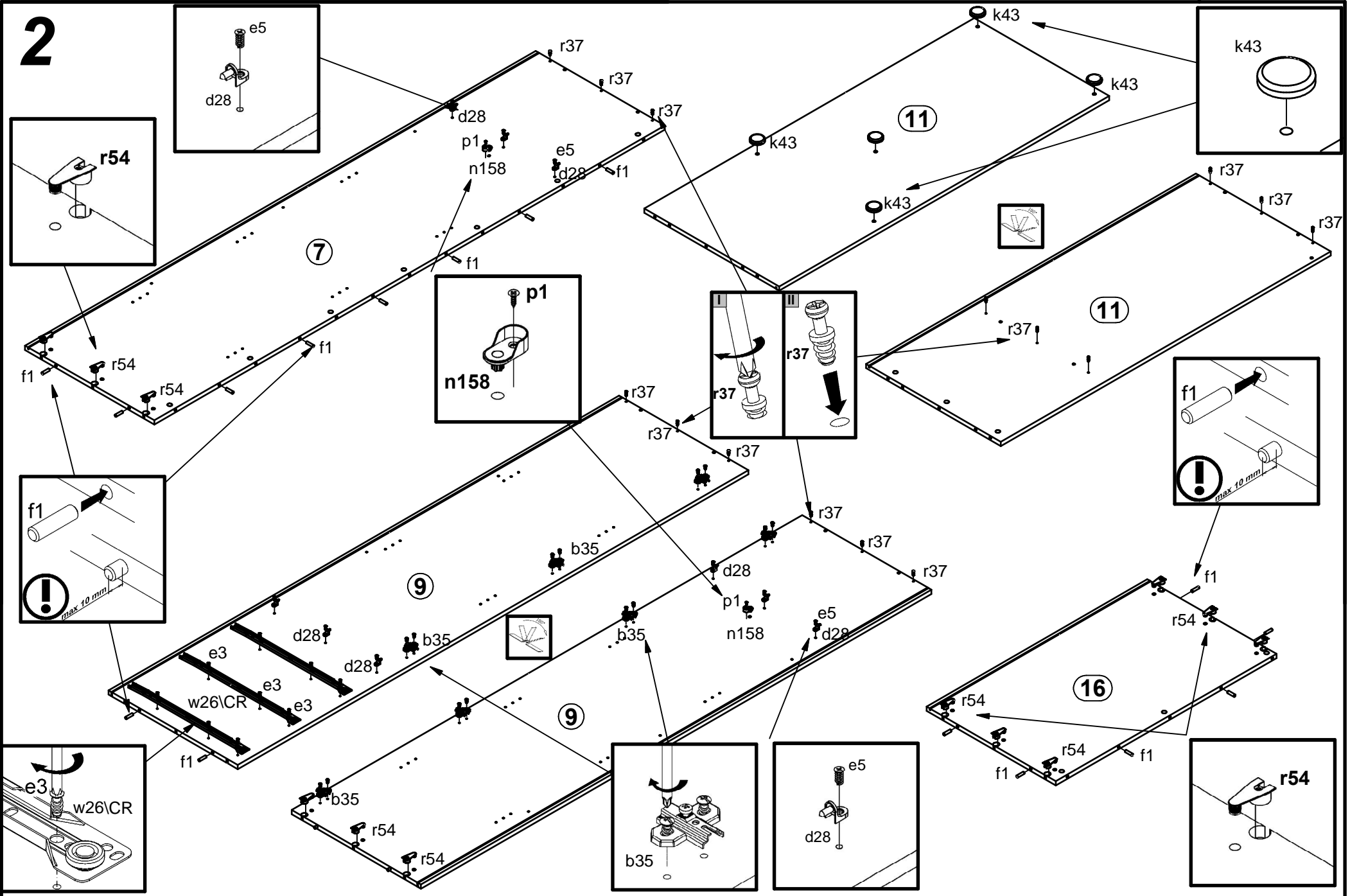
cm 0 1 2 3 4 5 6 7 8 9 10

9x c34412	8x d1 Ø5x17 mm	24x d20	18x d28	16x e2 Ø6,3x13 mm	18x e3 Ø6,3x13 mm	18x e5 Ø6,3x13 mm	18x e19 Ø5x9 mm	24x e50 Ø6,3x10 mm
42x f1 Ø8x30 mm	6x f9 Ø6x30 mm	12x f25 Ø6,5x40 mm	6x f41 Ø8x40 mm	10x k43	36x l2	4x n158	4x p1 Ø3,5x13 mm	18x p9 Ø4x30 mm
3x p25 Ø3,5x16 mm	3x p35 Ø3,5x10 mm	18x p38 Ø3,5x16 mm	44x p51 Ø3,5x15 mm	34x r1 Ø15x12 mm #16	6x r10	12x r15 Ø12x10,5 mm #12	30x r37 6,7/7,8	34x r42
30x r54 Ø20x13,5 mm	3x t34 500 mm	3x w26\CL 500 mm	3x w26\CR 500 mm	3x w26\DL 500 mm	3x w26\DR 500 mm	34x s2 Ø16		

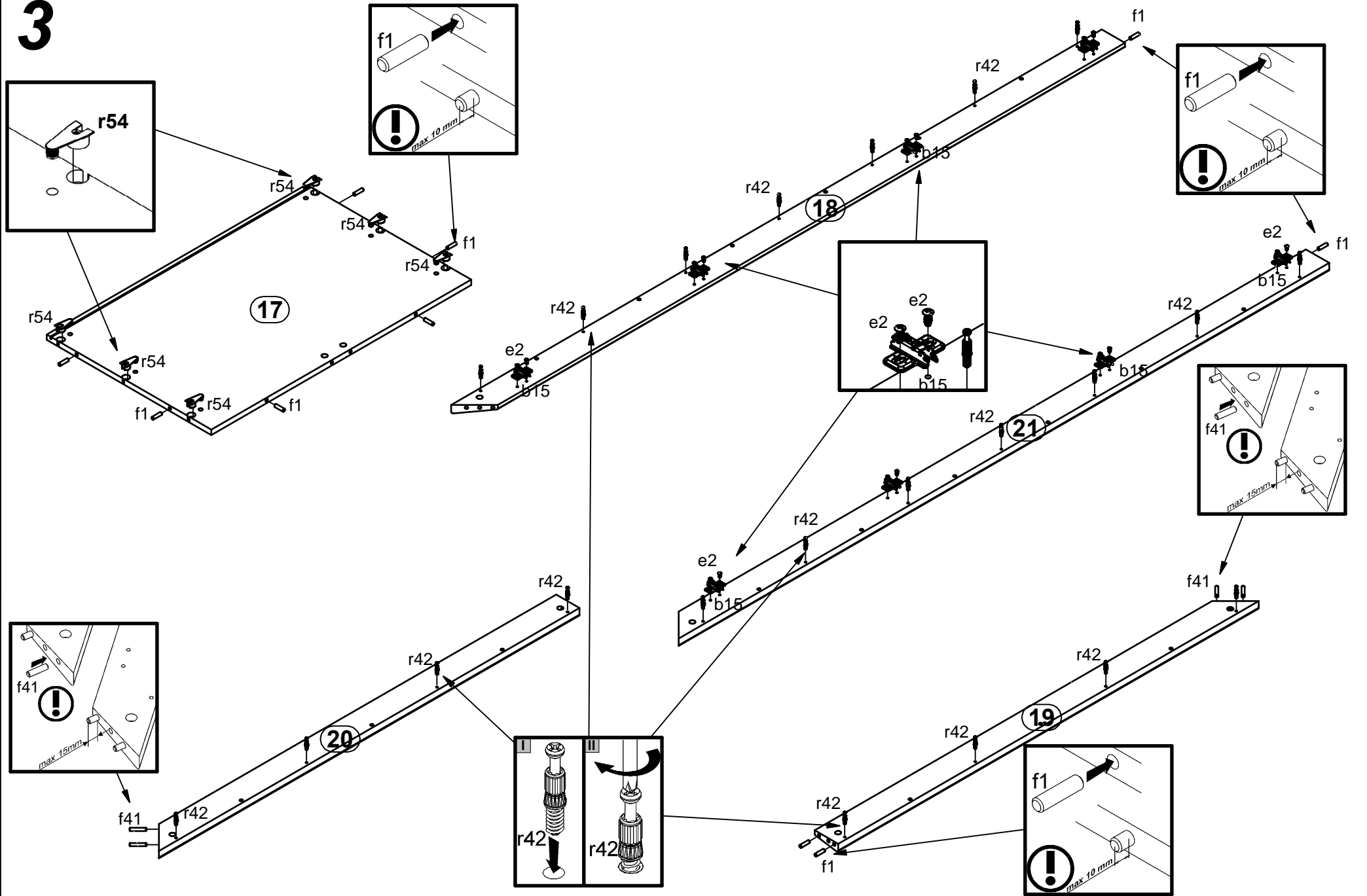




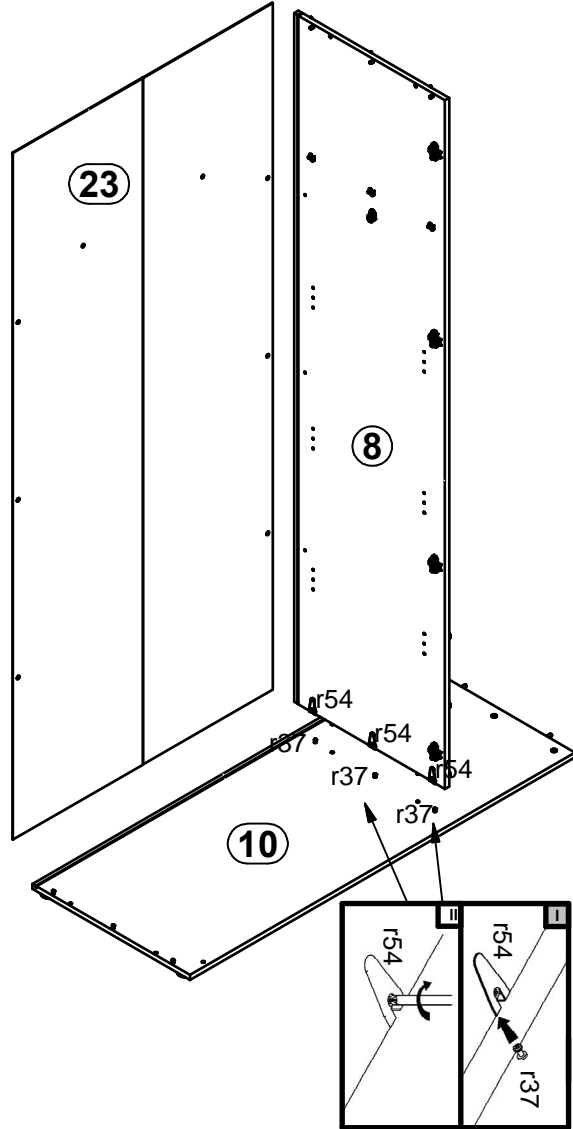
2



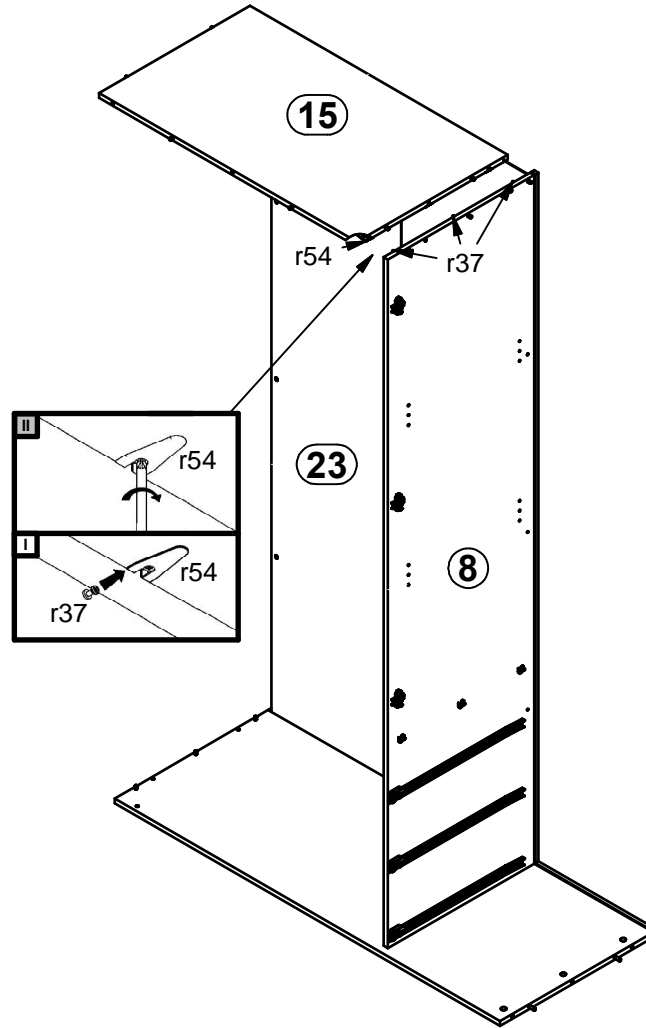
3



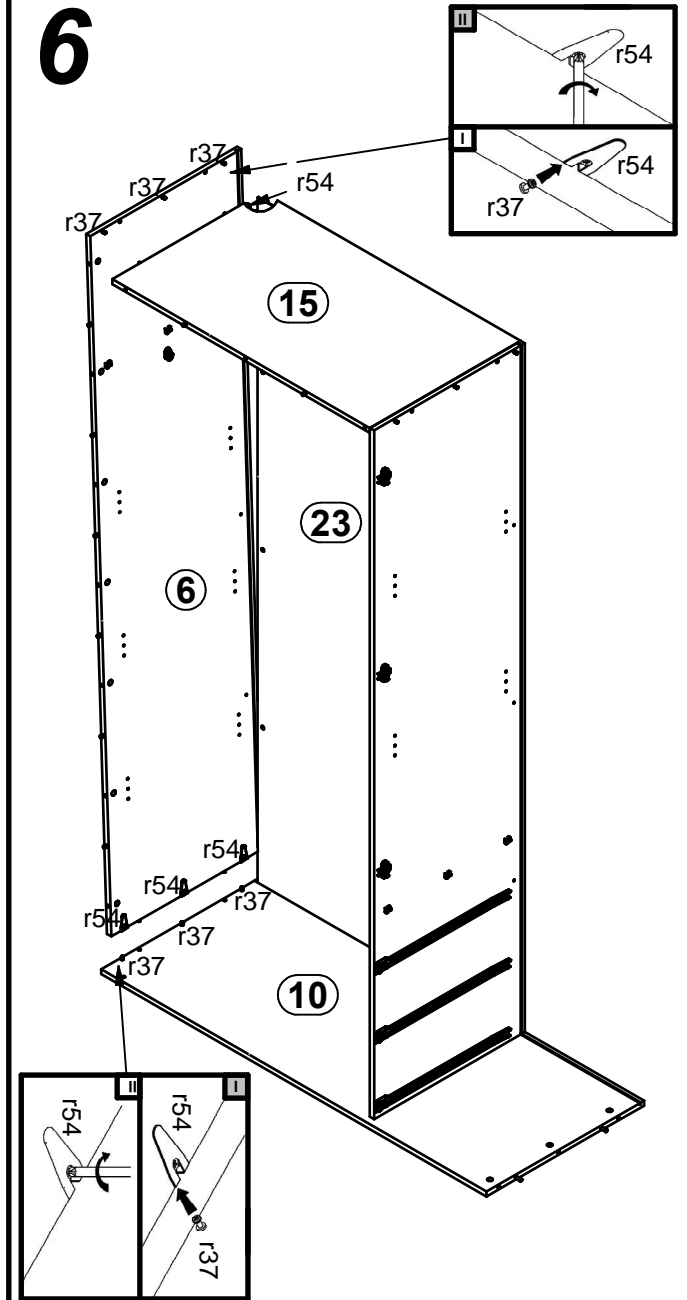
4 §6



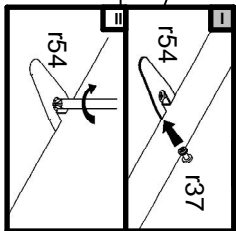
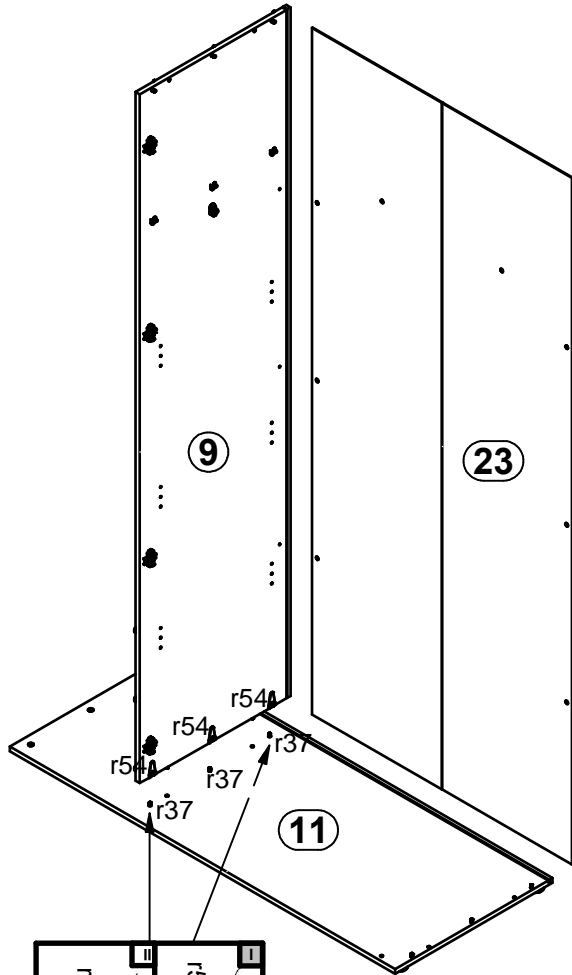
5



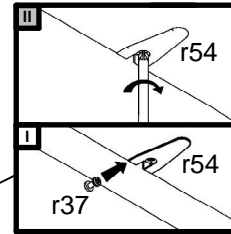
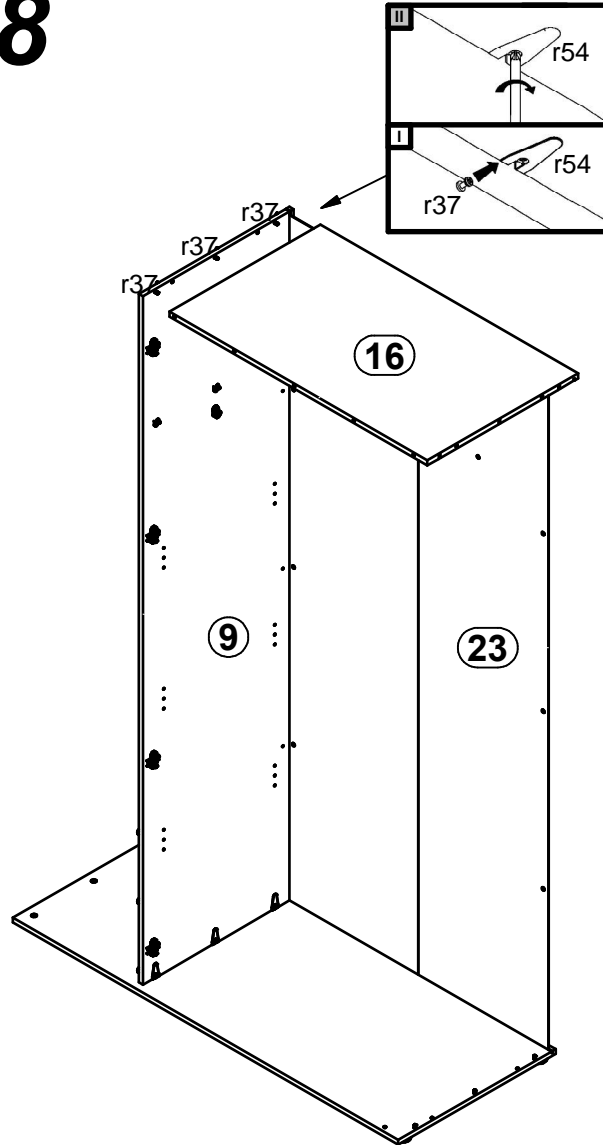
6



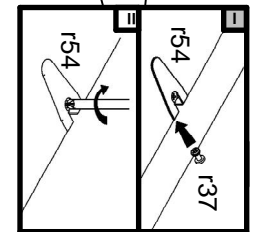
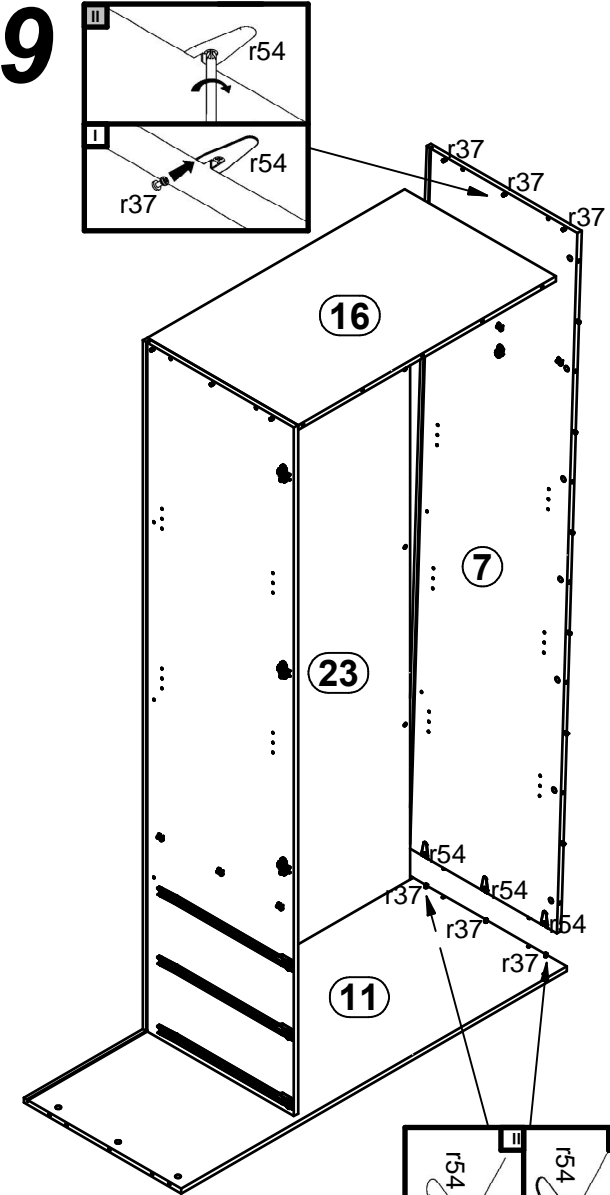
7



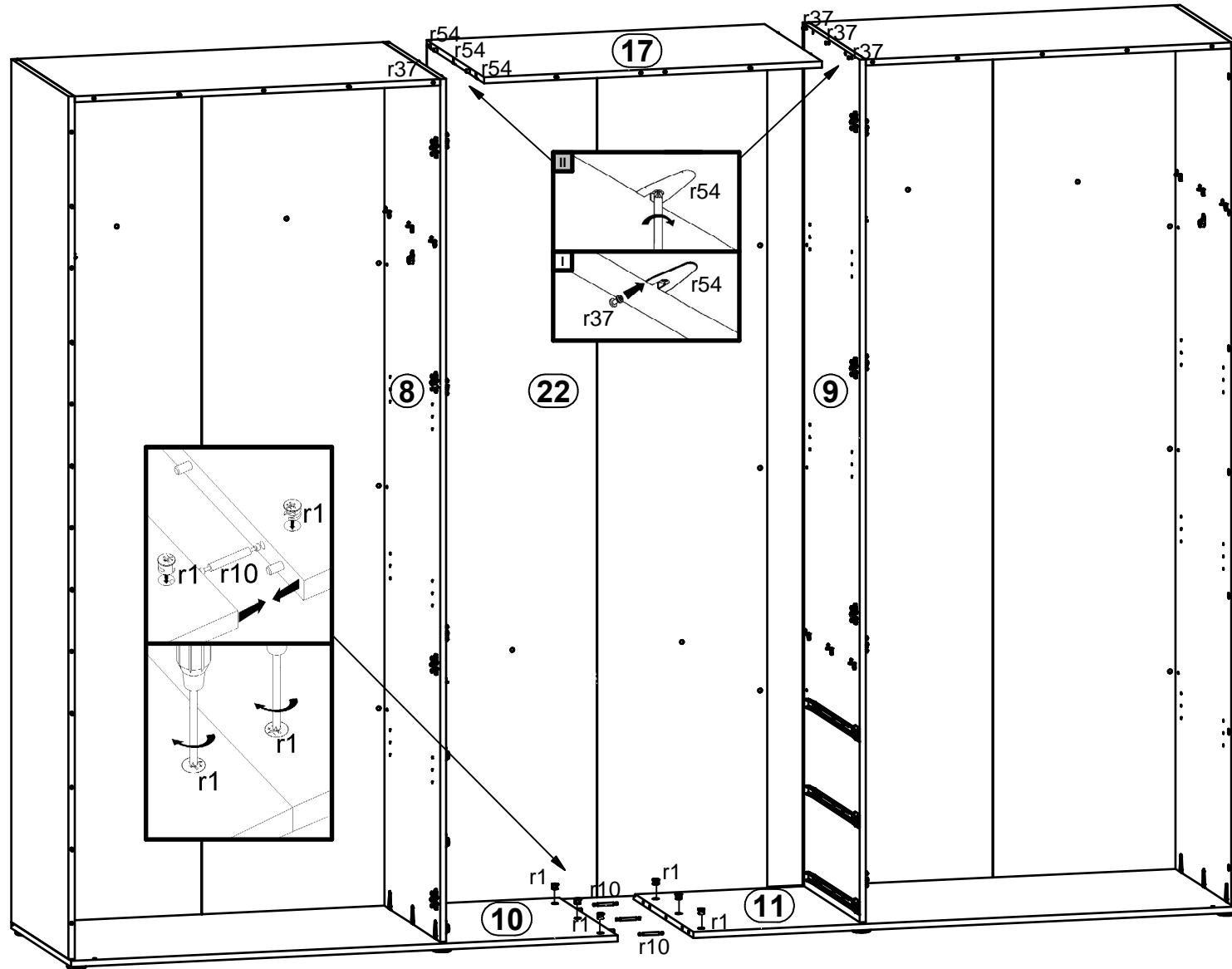
8



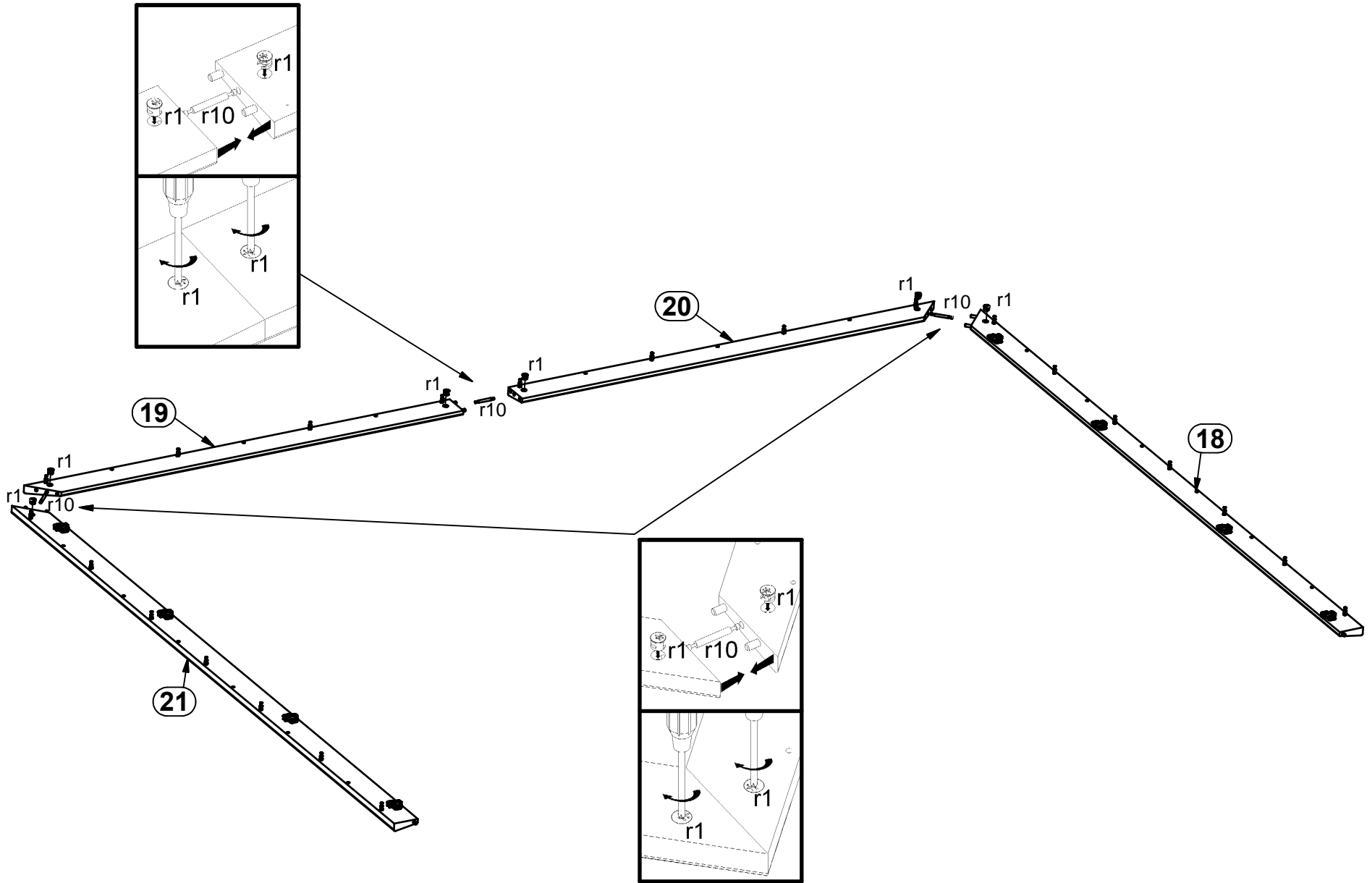
9



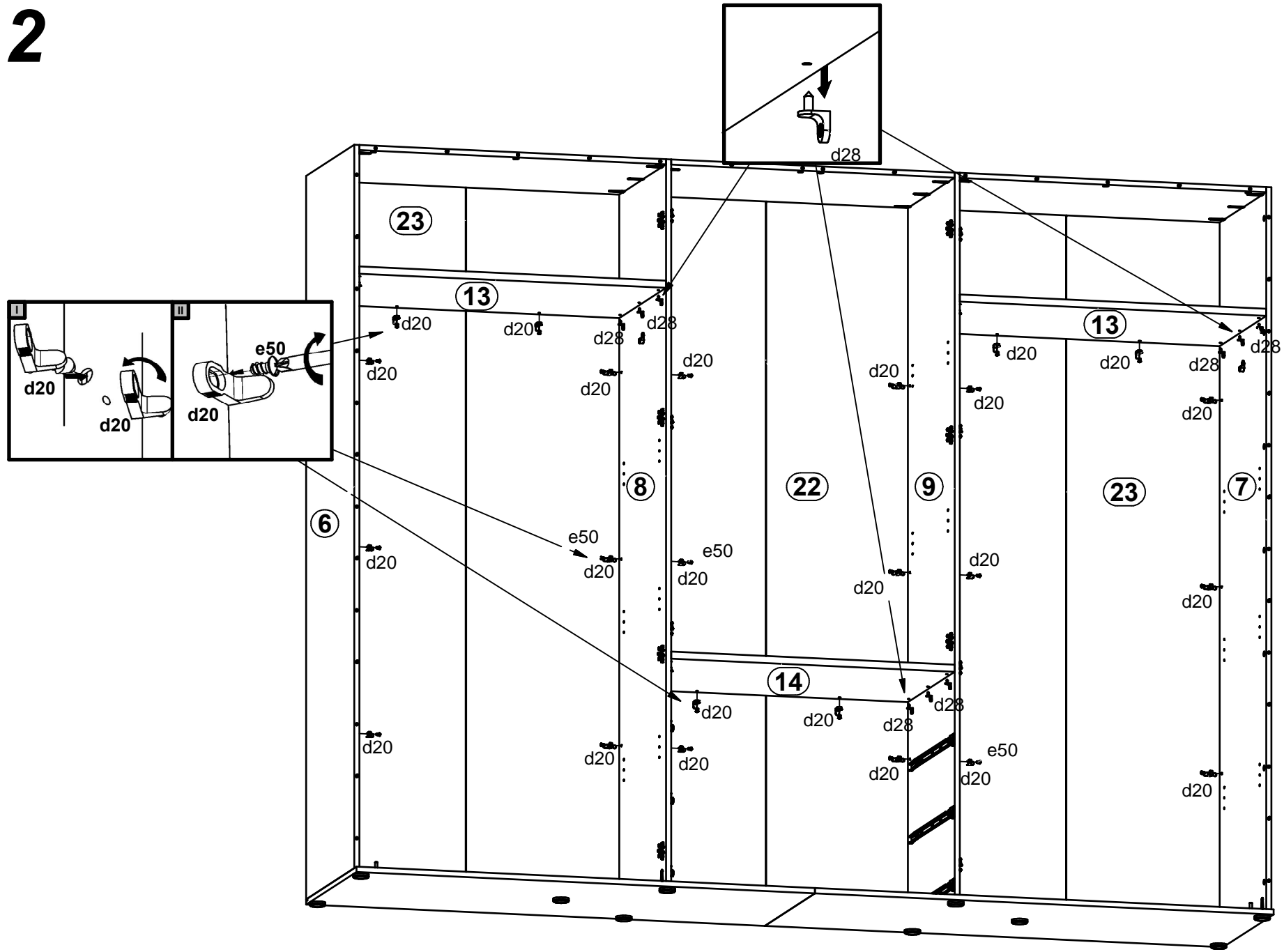
10



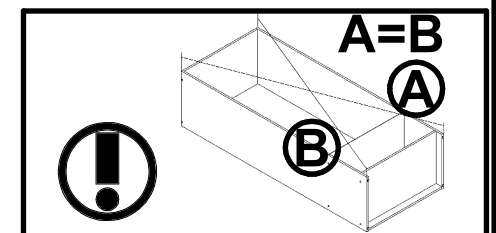
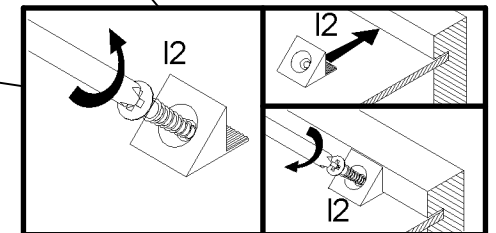
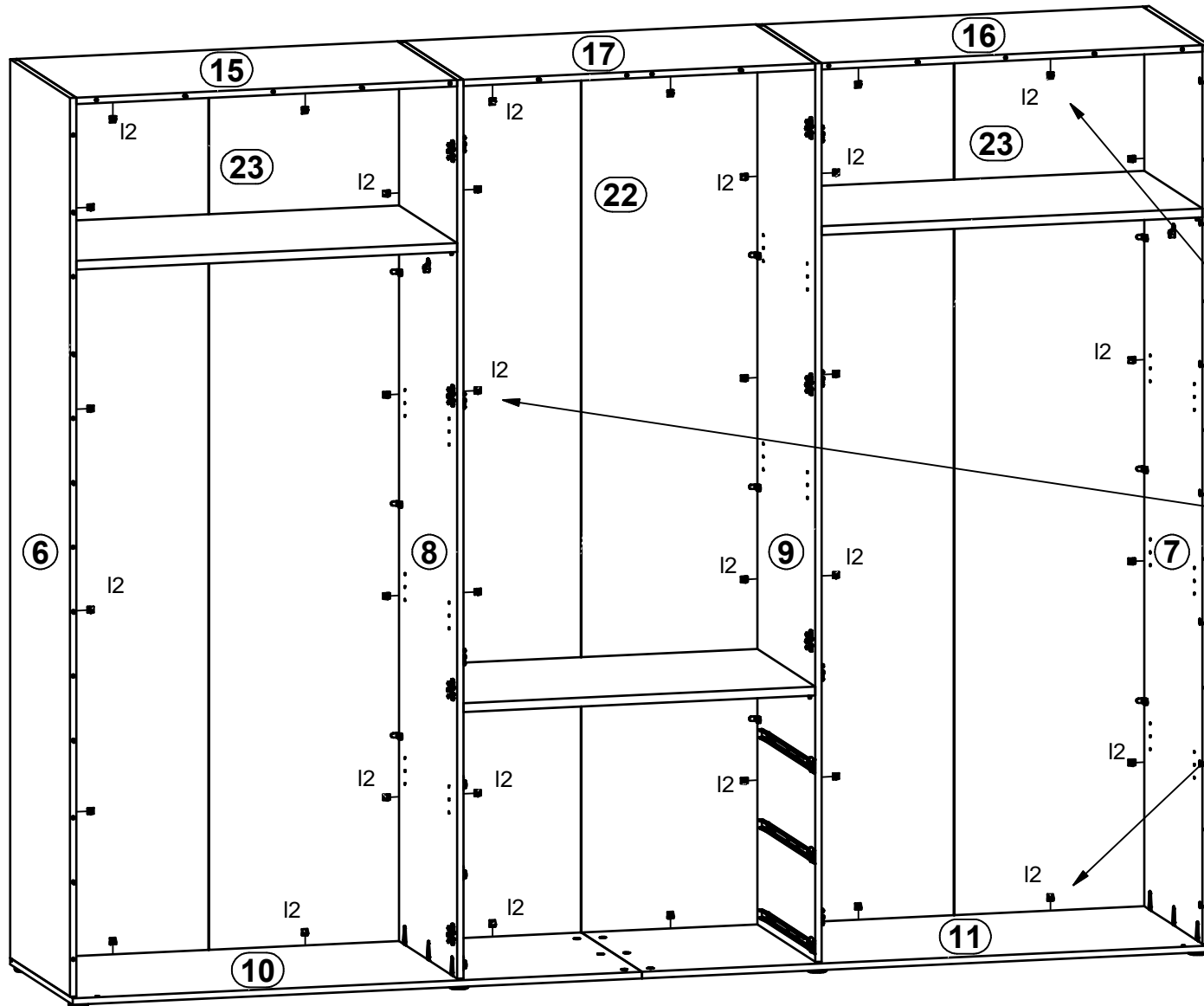
11



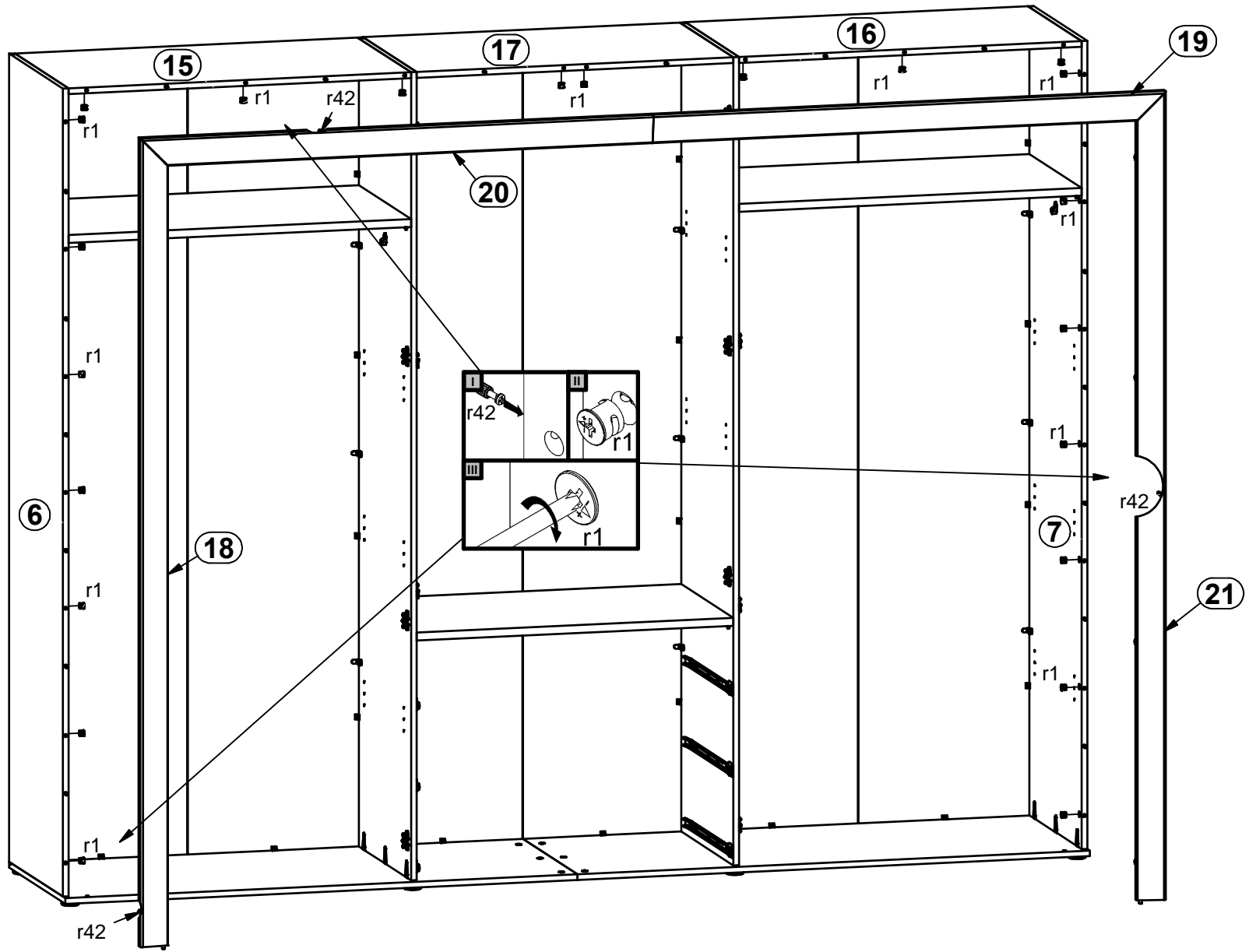
12



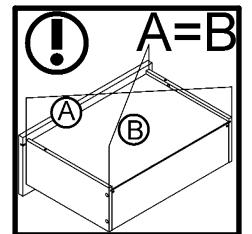
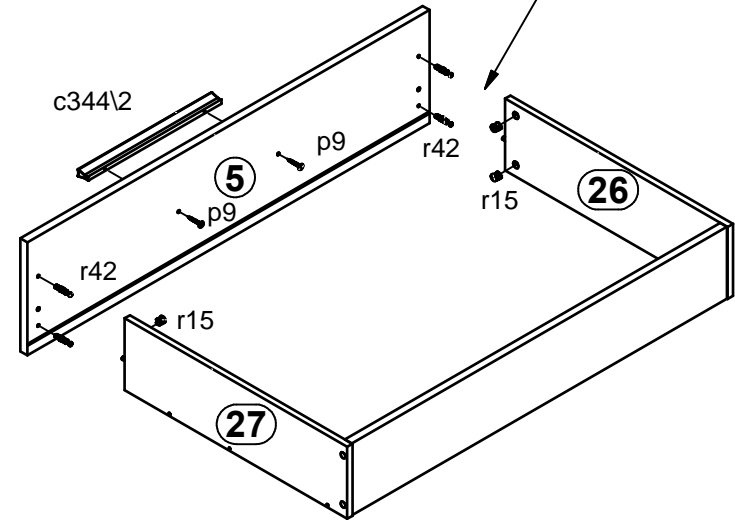
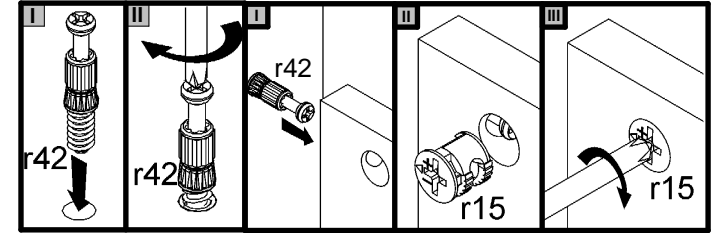
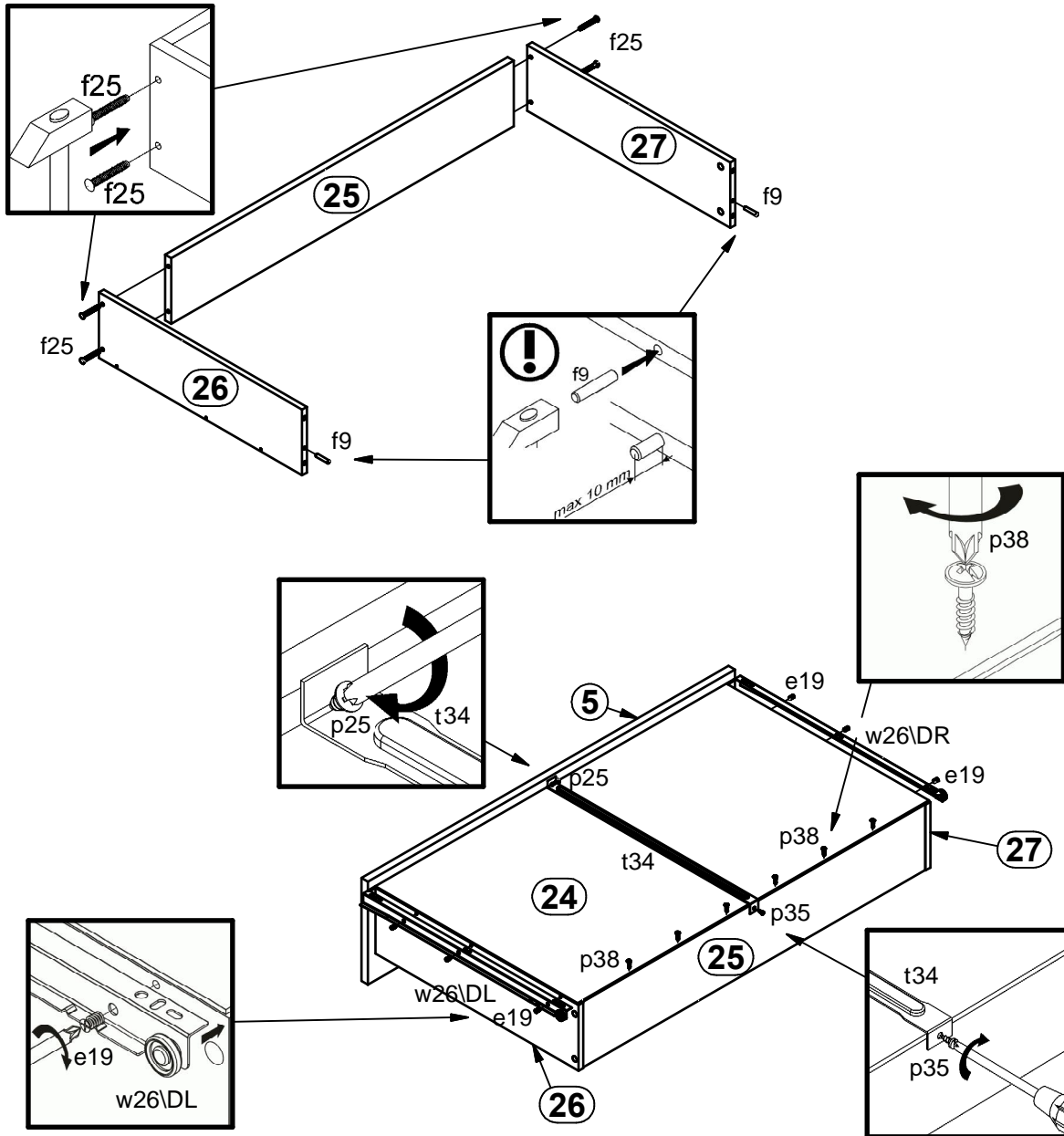
13



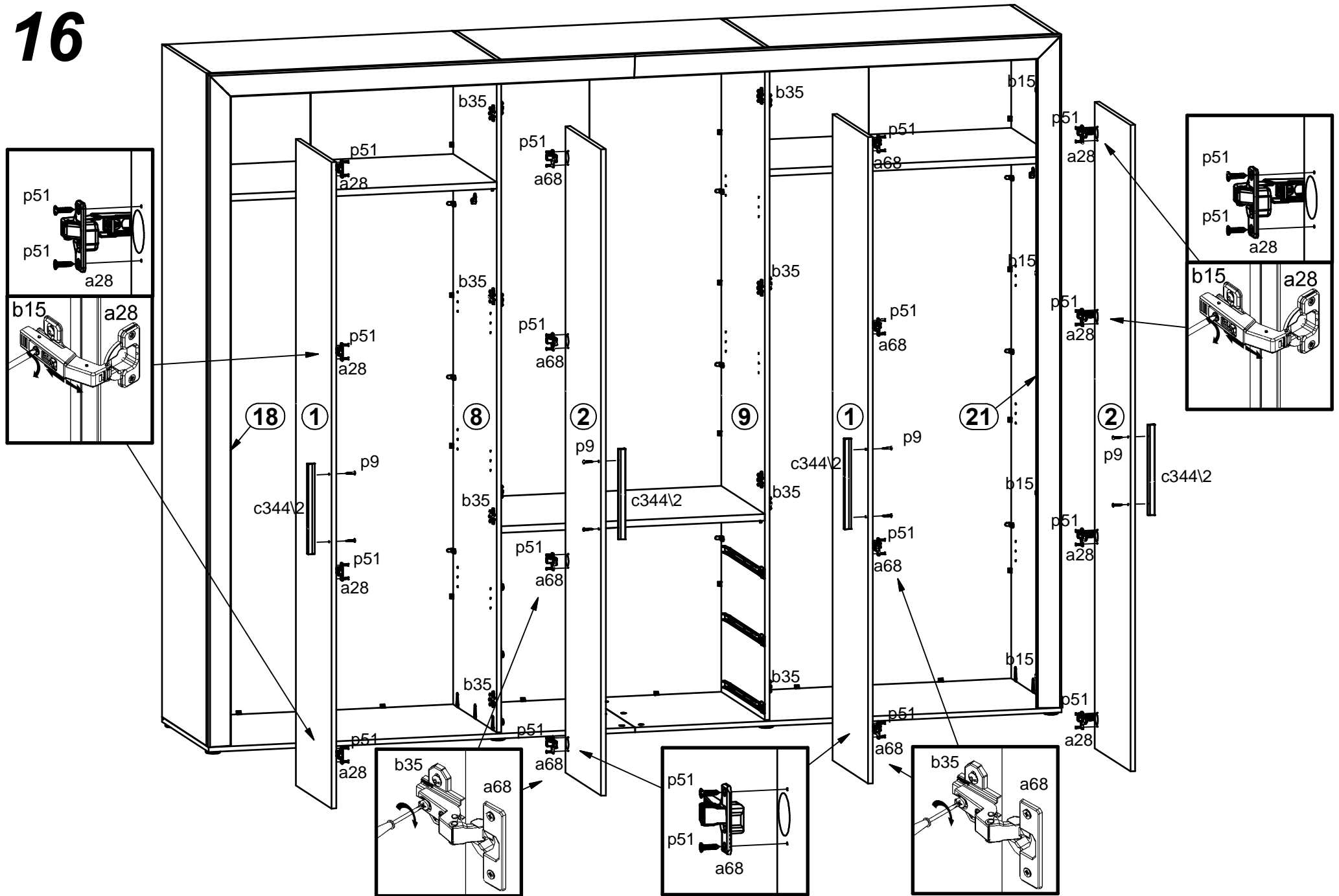
14



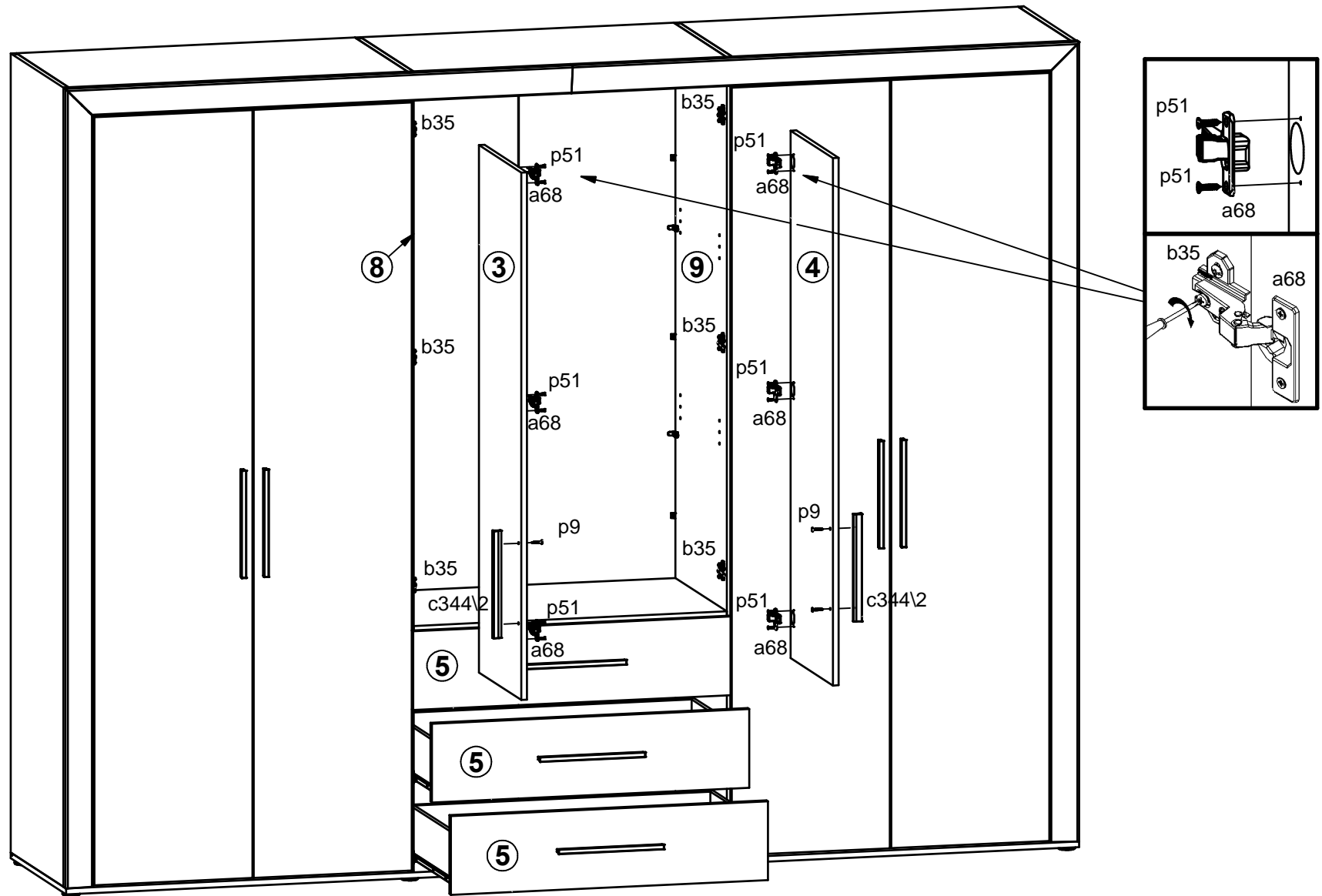
15



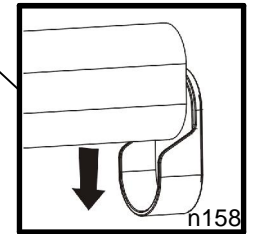
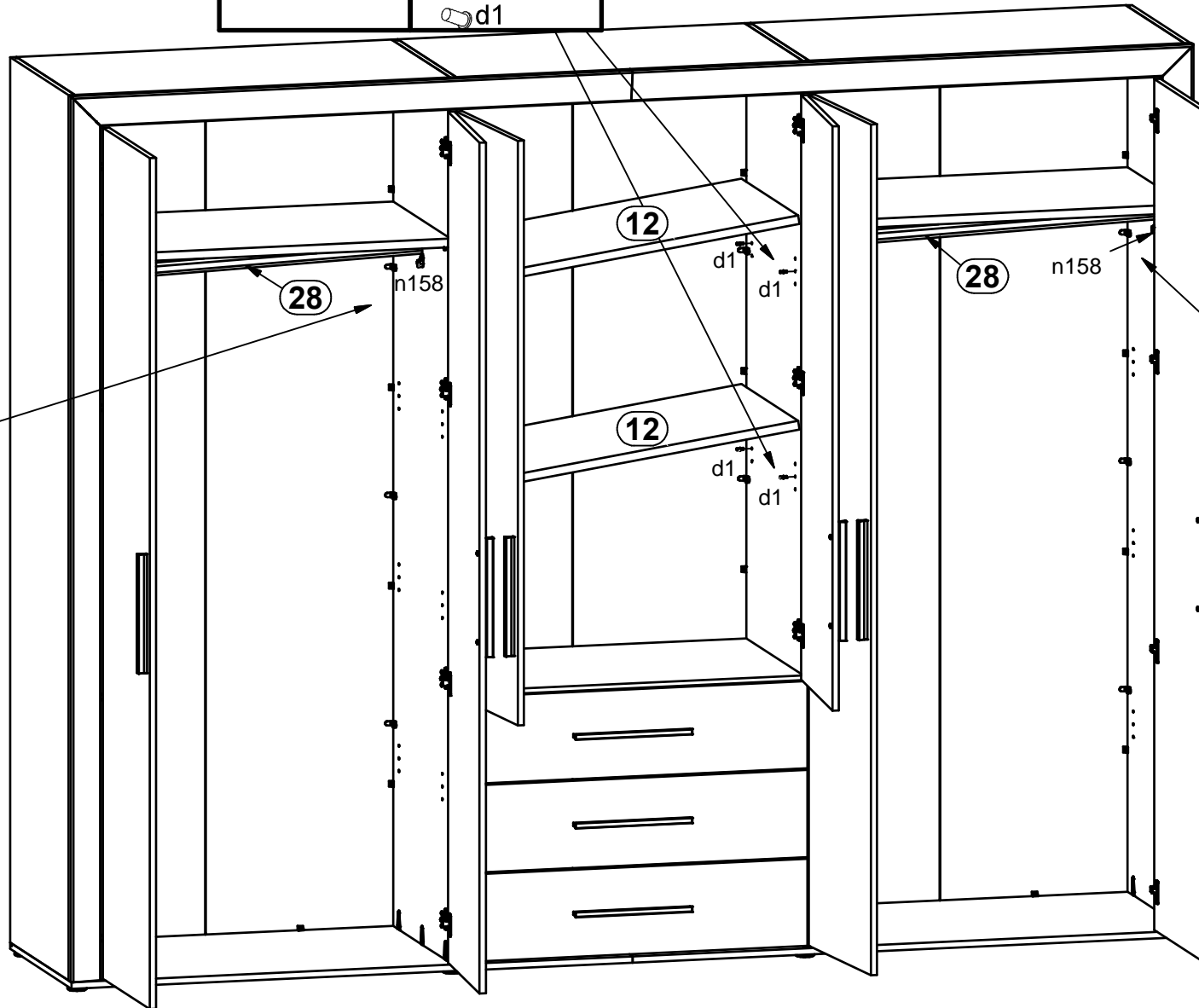
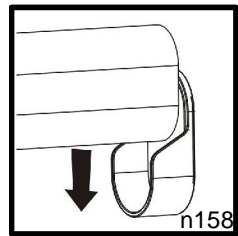
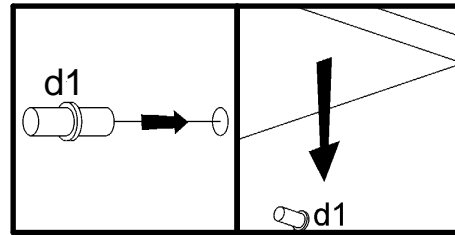
16



17



18



19

